



RxSOLUTIONS TECHNOLOGY Co Ltd

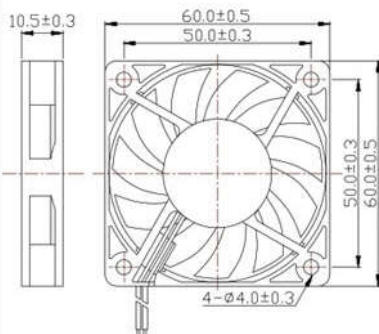
DC AXIAL FAN 60X10MM



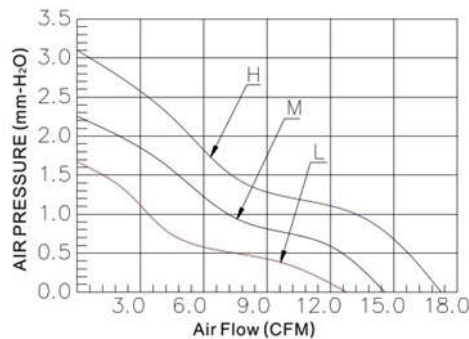
DC AXIAL FAN TYPE AV-F6010

SIZE:
 60x60x10mm
 CONSTRUCTION:
 Glass fiber reinforced thermoplastic
 Impeller and housing UL94V-0
 OPERATING TEMPERATURE:
 Sleeve bearing -10C to +70C
 INSULATION RESISTANCE:
 >10 megohm at 500VDC
 (frame-terminal/wires)
 DIELECTRIC STRENGTH:
 500V/60HZ, 5mA, 1 minute
 (frame-terminal/wires)

MODEL	BEARING TYPE	RATED VOLTAGE (DC)	OPERATING VOLTAGE (DC)	CURRENT (A)	SPEED (RPM)	AIR FLOW (CFM)	STATIC PRESSURE (mmH2O)	NOISE LEVEL (dBA)	WEIGHT (g)
AV-F6010HS05	SLEEVE	5	4.5-5.5	0.35	4000	17.17	3.15	28.86	21
AV-F6010MS05	SLEEVE	5	4.5-5.5	0.2	3500	14.78	2.38	26.28	21
AV-F6010LS05	SLEEVE	5	4.5-5.5	0.25	3000	12.3	1.67	23.33	21
AV-F6010HB05	BALL	5	4.5-5.5	0.35	4000	17.17	3.15	28.86	21
AV-F6010MB05	BALL	5	4.5-5.5	0.3	3500	14.78	2.38	26.28	21
AV-F6010LB05	BALL	5	4.5-5.5	0.25	3000	12.3	1.67	23.33	21
AV-F6010HS	SLEEVE	12	10.8-13.2	0.23	4000	17.17	3.15	28.86	21
AV-F6010MS	SLEEVE	12	10.8-13.2	0.17	3500	14.78	2.38	26.28	21
AV-F6010LS	SLEEVE	12	10.8-13.2	0.13	3000	12.3	1.67	23.33	21
AV-F6010HB	BALL	12	10.8-13.2	0.23	4000	17.17	3.15	28.86	21
AV-F6010MB	BALL	12	10.8-13.2	0.17	3500	14.78	2.38	26.28	21
AV-F6010LB	BALL	12	10.8-13.2	0.13	3000	12.3	1.67	23.33	21



Units: mm





Company Profile:

RxSOLUTIONS TECHNOLOGY Co., Ltd. has been a professional manufacturer of fan products for 14 Years. This is a high-technology enterprise dedicated to the innovation and development of new cooling and fan control applications. We manufacture both enclosure/equipment axial fans, centrifugal blowers and mini-USB consumer fans.

USE OUR WEBSITE *CONTACT FORM* TO DISCUSS
DESIGN RECOMMENDATIONS AND PRICING
FOR YOUR PARTICULAR APPLICATION



Contact information:

Website: <http://www.rxstechnology.com>
Office telephone: +86 769 8800 7627
Cell/mobile: +86 136 0968 9281
Email: EmilyZhang@rxstechnology.com
Skype: Emily_Zhang668
WeChat: emilyzhang9420
QQ: 895071090

Address:
#513C ChunFeng Ming
Yuan XianXi Mingen East Street
Changan Town, Dongguan
Guangdong Province,
China