



RxSOLUTIONS TECHNOLOGY Co Ltd

DC AXIAL FAN 50X10

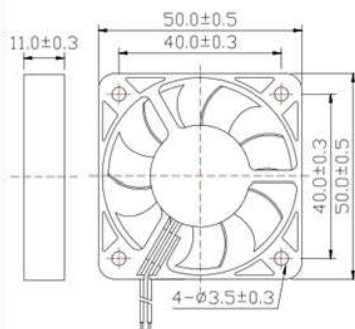


DC AXIAL FAN TYPE AV-F5010 (2 BODY STYLES)

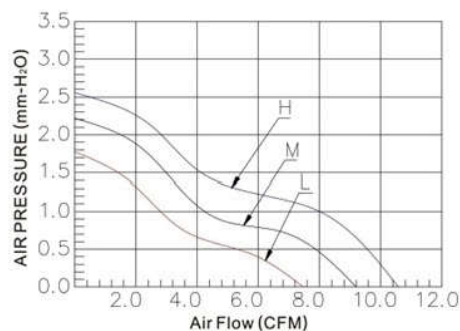
SIZE:
 50x50x10mm
CONSTRUCTION:
 Glass fiber reinforced thermoplastic
 Impeller and housing UL94V-0
OPERATING TEMPERATURE:
 Sleeve bearing -10C to +70C
INSULATION RESISTANCE:
 >10 megohm at 500VDC
 (frame-terminal/wires)
DIELECTRIC STRENGTH:
 500V/60HZ, 5mA, 1 minute
 (frame-terminal/wires)

STANDARD BODY

MODEL	BEARING TYPE	RATED VOLTAGE (DC)	OPERATING VOLTAGE (DC)	CURRENT (A)	SPEED (RPM)	AIR FLOW (CFM)	STATIC PRESSURE (mmH2O)	NOISE LEVEL (dBA)	WEIGHT (g)
AV-F5010HS05	SLEEVE	5	4.5-5.5	0.25	5000	10.43	2.25	28.44	20
AV-F5010MS05	SLEEVE	5	4.5-5.5	0.2	4500	9.42	2.27	26.09	20
AV-F5010LS05	SLEEVE	5	4.5-5.5	0.15	3500	7.3	1.77	20.82	20
AV-F5010HB05	BALL	5	4.5-5.5	0.25	5000	10.43	2.25	28.44	20
AV-F5010MB05	BALL	5	4.5-5.5	0.2	4500	9.42	2.27	26.09	20
AV-F5010LB05	BALL	5	4.5-5.5	0.15	3500	7.3	1.77	20.82	20
AV-F5010HS	SLEEVE	12	10.8-13.2	0.16	5000	10.43	2.25	28.44	20
AV-F5010MS	SLEEVE	12	10.8-13.2	0.12	4500	9.42	2.27	26.09	20
AV-F5010LS	SLEEVE	12	10.8-13.2	0.08	3500	7.3	1.77	20.82	20
AV-F5010HB	BALL	12	10.8-13.2	0.16	5000	10.43	2.25	28.44	20
AV-F5010MB	BALL	12	10.8-13.2	0.12	4500	9.42	2.27	26.09	20
AV-F5010LB	BALL	12	10.8-13.2	0.08	3500	7.3	1.77	20.82	20



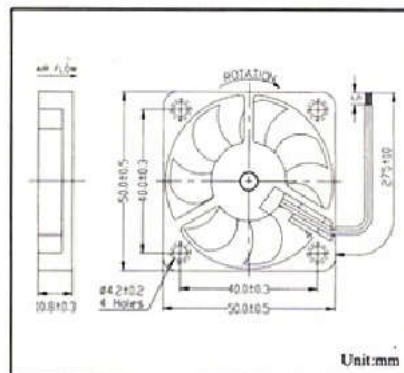
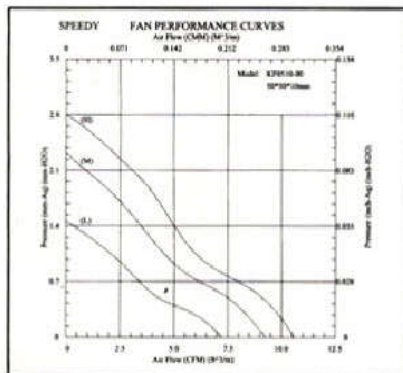
Units: mm





ROUND BODY STYLE

MODEL	BEARING TYPE	RATED VOLTAGE (DC)	OPERATING VOLTAGE (DC)	CURRENT (A)	SPEED (RPM)	AIR FLOW (CFM)	STATIC PRESSURE (inH ₂ O)	NOISE LEVEL (dBA)	WEIGHT (g)
AV-F5010C5H	DUAL BALL	5	4.5-5.5	0.14	5300	10.56	0.112	30.8	20
AV-F5010C5M	DUAL BALL	5	4.5-5.5	0.12	4500	9.27	0.092	26.6	20
AV-F5010C5L	DUAL BALL	5	4.5-5.5	0.08	3500	7.18	0.058	21.9	20
AV-F5010B5H	BALL & SLEEVE	5	4.5-5.5	0.14	5300	10.56	0.112	30.8	20
AV-F5010B5M	BALL & SLEEVE	5	4.5-5.5	0.12	4500	9.27	0.092	26.6	20
AV-F5010LS5H	SLEEVE	5	4.5-5.5	1.22	5300	10.56	0.112	30.8	20
AV-F5010S5M	SLEEVE	5	4.5-5.5	1.15	4500	9.27	0.092	26.6	20
AV-F5010S5L	SLEEVE	5	4.5-5.5	0.12	3500	7.18	0.058	21.9	20
AV-F5010C1H	DUAL BALL	12	10.8-13.2	0.11	5300	10.56	0.112	30.8	20
AV-F5010C1M	DUAL BALL	12	10.8-13.2	0.80	4500	9.27	0.092	26.6	20
AV-F5010C1L	DUAL BALL	12	10.8-13.2	0.60	3500	7.18	0.058	21.9	20
AV-F5010B1H	BALL & SLEEVE	12	10.8-13.2	0.11	5300	10.56	0.112	30.8	20
AV-F5010B1M	BALL & SLEEVE	12	10.8-13.2	0.08	4500	9.27	0.092	26.6	20
AV-F5010S1H	SLEEVE	12	10.8-13.2	0.13	5300	10.56	0.112	30.8	20
AV-F5010S1M	SLEEVE	12	10.8-13.2	0.08	4500	9.27	0.092	26.6	20
AV-F5010S1L	SLEEVE	12	10.8-13.2	0.07	3500	7.18	0.058	21.9	20





Company Profile:

RxSOLUTIONS TECHNOLOGY Co., Ltd. has been a professional manufacturer of fan products for 14 Years. This is a high-technology enterprise dedicated to the innovation and development of new cooling and fan control applications. We manufacture both enclosure/equipment axial fans, centrifugal blowers and mini-USB consumer fans.

USE OUR WEBSITE *CONTACT FORM* TO DISCUSS
DESIGN RECOMMENDATIONS AND PRICING
FOR YOUR PARTICULAR APPLICATION



Contact information:

Website: <http://www.rxstechnology.com>
Office telephone: +86 769 8800 7627
Cell/mobile: +86 136 0968 9281
Email: EmilyZhang@rxstechnology.com
Skype: Emily_Zhang668
WeChat: emilyzhang9420
QQ: 895071090

Address:
#513C ChunFeng Ming
Yuan XianXi Mingen East Street
Changan Town, Dongguan
Guangdong Province,
China