



RxSOLUTIONS TECHNOLOGY Co Ltd

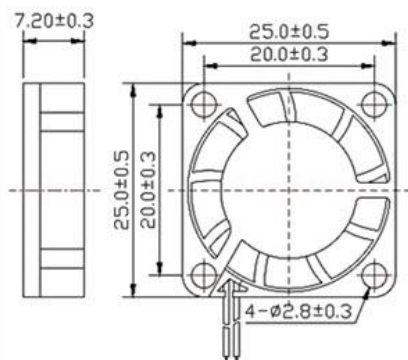
DC AXIAL FAN 25X07MM



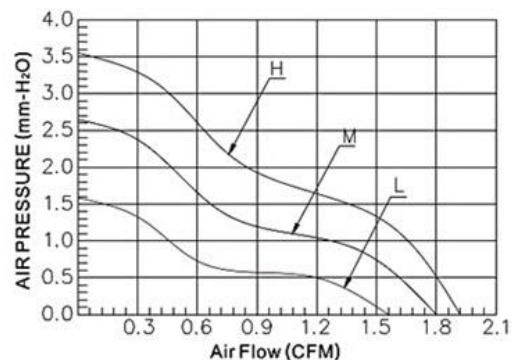
DC FAN TYPE AC-F2507

SIZE:
 25x25x7mm
CONSTRUCTION:
 Glass fiber reinforced thermoplastic
 Impeller and housing UL94V-0
OPERATING TEMPERATURE:
 Sleeve bearing -10C to +70C
INSULATION RESISTANCE:
 >10 megohm at 500VDC
 (frame-terminal/wires)
DIELECTRIC STRENGTH:
 500V/60HZ, 5mA, 1 minute
 (frame-terminal/wires)

MODEL	BEARING TYPE	RATED VOLTAGE (DC)	OPERATING VOLTAGE (DC)	CURRENT (A)	SPEED (RPM)	AIR FLOW (CFM)	STATIC PRESSURE (mmH2O)	NOISE LEVEL (dBA)	WEIGHT (g)
AC-2507HS05	SLEEVE	5	4.5-5.5	0.20	10000	1.92	3.55	22.50	6.1
AC-F2507MS05	SLEEVE	5	4.5-5.5	0.16	9000	1.80	2.64	20.58	6.1
AC-F2507LS05	SLEEVE	5	4.5-5.5	0.12	8000	1.60	1.58	20.18	6.1
AC-F2507HS	SLEEVE	12	10.8-13.2	0.15	10000	1.92	3.55	22.50	6.1
AC-F2507MS	SLEEVE	12	10.8-13.2	0.12	9000	1.80	1.80	20.58	6.1
AC-F2507LS	SLEEVE	12	10.8-13.2	0.09	8000	1.60	1.60	20.18	6.1



Units: mm





Company Profile:

RxSOLUTIONS TECHNOLOGY Co., Ltd. has been a professional manufacturer of fan products for 14 Years. This is a high-technology enterprise dedicated to the innovation and development of new cooling and fan control applications. We manufacture both enclosure/equipment axial fans, centrifugal blowers and mini-USB consumer fans.

USE OUR WEBSITE *CONTACT FORM* TO DISCUSS
DESIGN RECOMMENDATIONS AND PRICING
FOR YOUR PARTICULAR APPLICATION



Contact information:

Website: <http://www.rxstechnology.com>
Office telephone: +86 769 8800 7627
Cell/mobile: +86 136 0968 9281
Email: EmilyZhang@rxstechnology.com
Skype: Emily_Zhang668
WeChat: emilyzhang9420
QQ: 895071090

Address:
#513C ChunFeng Ming
Yuan XianXi Mingen East Street
Changan Town, Dongguan
Guangdong Province,
China

DC AXIAL FANS 25X07mm 2016-3

www.rxstechnology.com