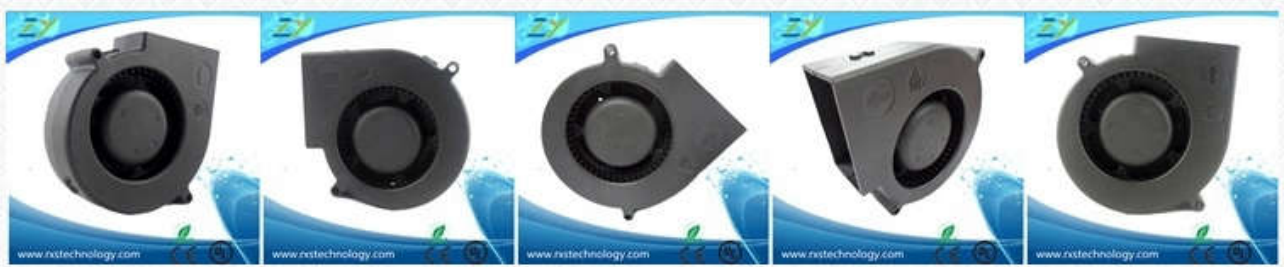




# RxSOLUTIONS TECHNOLOGY Co Ltd

## ALL DC CENTRIFUGAL FANS - ENCLOSURE TYPES



### INDEX

#### Standard output:

DC CENTRIFUGAL FAN AV-F4020 (40X20mm)	P2
DC CENTRIFUGAL FAN AV-F5015 (50X15mm)	P3
DC CENTRIFUGAL FAN AV-F6015 (60X15mm)	P4
DC CENTRIFUGAL FAN AV-F7015 (70X15mm)	P5
DC CENTRIFUGAL FAN AV-F7530 (75X30mm)	P6
DC CENTRIFUGAL FAN AV-F9733 (97X33mm) HI OUTPUT	P9
DC CENTRIFUGAL FAN AV-F9773 (97X73mm)	P7
DC CENTRIFUGAL FAN AV-F12032 (120X32mm)	P8
DC CENTRIFUGAL FAN ZY-3010 (30X10mm)	P10
DC CENTRIFUGAL FAN ZY-4010 (40X10mm)	P11
DC CENTRIFUGAL FAN ZY-4510 (45X10mm)	P12
DC CENTRIFUGAL FAN ZY-6025 (60X25mm)	P13

CONTACT INFORMATION	P14
---------------------	-----



# RxSOLUTIONS TECHNOLOGY Co Ltd

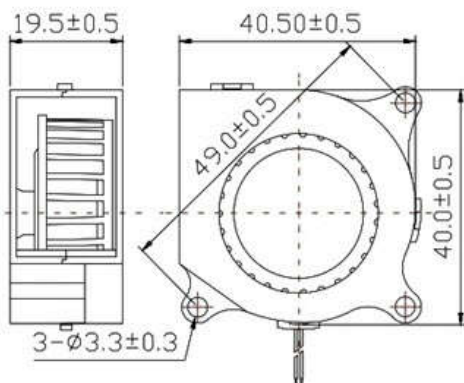
## DC CENTRIFUGAL FANS 40X20mm



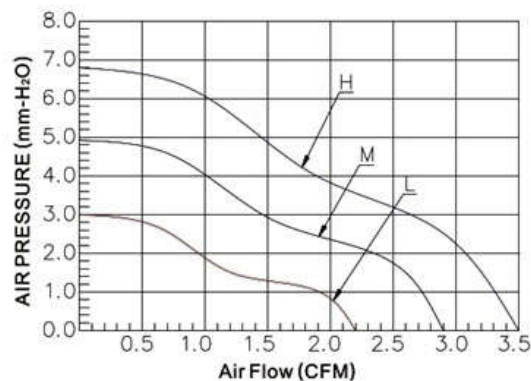
**SIZE:**  
 40x40x20mm  
**CONSTRUCTION:**  
 Glass fiber reinforced thermoplastic  
 Impeller and housing UL94V-0  
**OPERATING TEMPERATURE:**  
 Sleeve bearing -10C to +70C  
**INSULATION RESISTANCE:**  
 >10 megohm at 500VDC  
 (frame-terminal/wires)  
**DIELECTRIC STRENGTH:**  
 500V/60HZ, 5mA, 1 minute  
 (frame-terminal)

### DC BLOWER FAN TYPE AV-F4020

MODEL	BEARING TYPE	RATED VOLTAGE (DC)	OPERATING VOLTAGE (DC)	CURRENT (A)	SPEED (RPM)	AIR FLOW (CFM)	STATIC PRESSURE (mmH2O)	NOISE LEVEL (dBA)	WEIGHT (g)
AV-F4020HS05	SLEEVE	5	4.5-5.5	0.26	5300	3.50	6.80	29.60	24
AV-F4020MS05	SLEEVE	5	4.5-5.5	0.20	4200	2.90	4.90	25.50	24
AV-F4020LS05	SLEEVE	5	4.5-5.5	0.14	3000	2.20	3.00	21.40	24
AV-F4020HS	SLEEVE	12	10.8-13.2	0.15	6000	4.10	8.50	34.80	24
AV-F4020MS	SLEEVE	12	10.8-13.2	0.11	5300	3.50	6.80	29.60	24
AV-F4020LS	SLEEVE	12	10.8-13.2	0.07	4200	2.90	4.90	25.50	24



Units: mm





# RxSOLUTIONS TECHNOLOGY Co Ltd

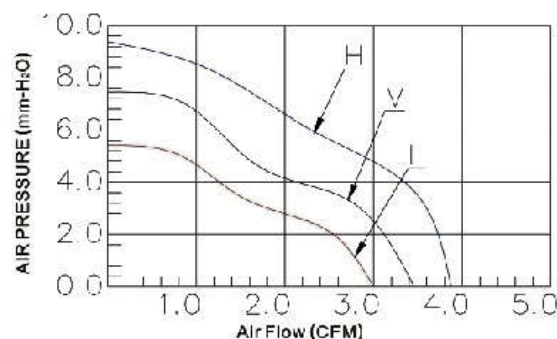
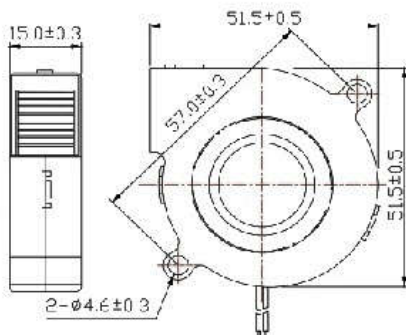
## DC CENTRIFUGAL FANS 50x15mm



**SIZE:**  
 50x50x15mm  
**CONSTRUCTION:**  
 Glass fiber reinforced thermoplastic  
 Impeller and housing UL94V-0  
**OPERATING TEMPERATURE:**  
 Sleeve bearing -10C to +70C  
**INSULATION RESISTANCE:**  
 >10 megohm at 500VDC  
 (frame-terminal/wires)  
**DIELECTRIC STRENGTH:**  
 500V/60HZ, 5mA, 1 minute  
 (frame-terminal)

### DC BLOWER FAN TYPE AV-F5015

MODEL	BEARING TYPE	RATED VOLTAGE (DC)	OPERATING VOLTAGE (DC)	CURRENT (A)	SPEED (RPM)	AIR FLOW (CFM)	STATIC PRESSURE (mmH2O)	NOISE LEVEL (dBA)	WEIGHT (g)
AV-F5015HS05	SLEEVE	5	4.5-5.5	0.30	4200	3.92	9.05	35.00	25
AV-F5015MS05	SLEEVE	5	4.5-5.5	0.23	3800	3.42	7.22	32.77	25
AV-F5015LS05	SLEEVE	5	4.5-5.5	0.17	3500	3.00	5.50	31.00	25
AV-F5015HB05	BALL	5	4.5-5.5	0.30	4200	3.92	9.05	35.00	25
AV-F5015MB05	BALL	5	4.5-5.5	0.23	3800	3.42	7.22	32.77	25
AV-F5015LB05	BALL	5	4.5-5.5	0.17	3500	3.00	5.50	31.00	25
AV-F5015HS	SLEEVE	12	10.8-13.2	0.16	4200	3.92	9.05	35.00	25
AV-F5015MS	SLEEVE	12	10.8-13.2	0.12	3800	3.42	7.22	32.77	25
AV-F5015LS	SLEEVE	12	10.8-13.2	0.08	3500	3.00	5.50	31.00	25
AV-5015HB	BALL	12	10.8-13.2	0.16	4200	3.92	9.05	35.00	25
AV-5015MB	BALL	12	10.8-13.2	0.12	3800	3.42	7.22	32.77	25
AV-5015LB	BALL	12	10.8-13.2	0.08	3500	3.00	5.50	31.00	25



Units: mm



# RxSOLUTIONS TECHNOLOGY Co Ltd

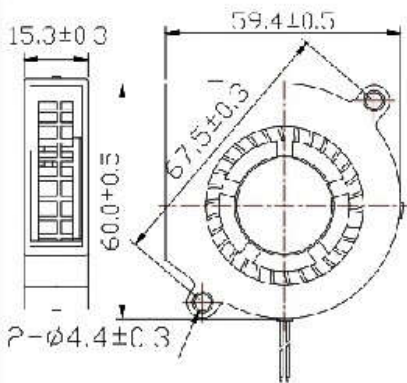
## DC CENTRIFUGAL FANS 60x15mm



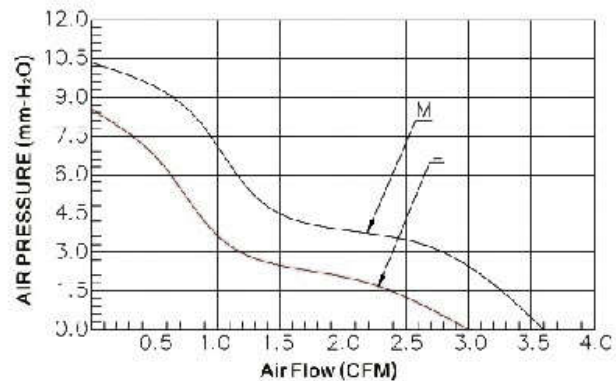
**SIZE:**  
 60x60x15mm  
**CONSTRUCTION:**  
 Glass fiber reinforced thermoplastic  
 Impeller and housing UL94V-0  
**OPERATING TEMPERATURE:**  
 Sleeve bearing -10C to +70C  
**INSULATION RESISTANCE:**  
 >10 megohm at 500VDC  
 (frame-terminal/wires)  
**DIELECTRIC STRENGTH:**  
 500V/60HZ, 5mA, 1 minute  
 (frame-terminal)

### DC BLOWER FAN TYPE AV-F6015

MODEL	BEARING TYPE	RATED VOLTAGE (DC)	OPERATING VOLTAGE (DC)	CURRENT (A)	SPEED (RPM)	AIR FLOW (CFM)	STATIC PRESSURE (mmH2O)	NOISE LEVEL (dBA)	WEIGHT (g)
AV-F6015MS05	SLEEVE	5	4.5-5.5	0.35	3500	3.60	10.02	33.50	35
AV-F6015LS05	SLEEVE	5	4-5.5	0.12	2800	3.00	7.92	28.20	35
AV-F6015MS	SLEEVE	12	10.8-13.2	0.20	3500	3.60	10.02	33.50	35
AV-F6015LS	SLEEVE	12	10.8-13.2	0.16	2800	3.00	7.92	28.20	35



Units: mm





# RxSOLUTIONS TECHNOLOGY Co Ltd

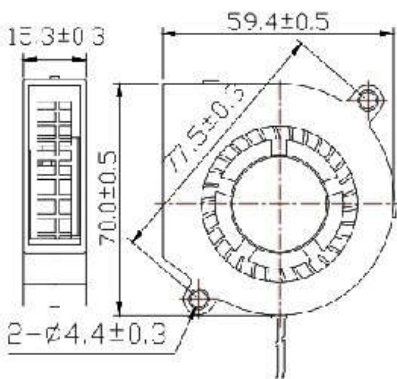
## DC CENTRIFUGAL FANS 70x15mm



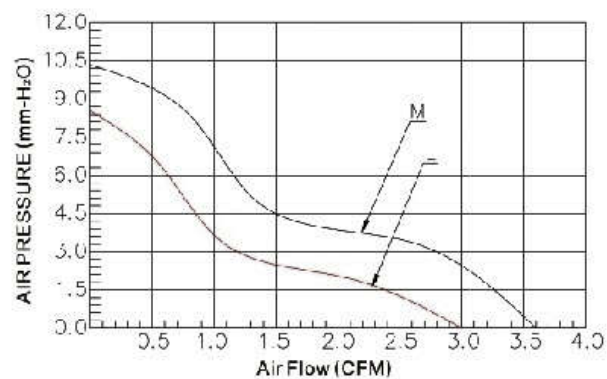
**DCBLOWER FAN TYPE AV-F7015**

**SIZE:**  
 70x70x15mm  
**CONSTRUCTION:**  
 Glass fiber reinforced thermoplastic  
 Impeller and housing UL94V-0  
**OPERATING TEMPERATURE:**  
 Sleeve bearing -10C to +70C  
**INSULATION RESISTANCE:**  
 >10 megohm at 500VDC  
 (frame-terminal/wires)  
**DIELECTRIC STRENGTH:**  
 500V/60HZ, 5mA, 1 minute  
 (frame-terminal)

MODEL	BEARING TYPE	RATED VOLTAGE (DC)	OPERATING VOLTAGE (DC)	CURRENT (A)	SPEED (RPM)	AIR FLOW (CFM)	STATIC PRESSURE (mmH2O)	NOISE LEVEL (dBA)	WEIGHT (g)
AV-F7015MS05	SLEEVE	5	4.5-5.5	0.35	3500	3.60	10.02	33.50	35
AV-F7015LS05	SLEEVE	5	4.5-5.5	0.12	2800	3.00	7.92	28.20	35
AV-F7015MS	SLEEVE	12	10.8-13.2	0.20	3500	3.60	10.02	33.50	35
AV-F7015LS	SLEEVE	12	10.8-13.2	0.16	2800	3.00	7.92	28.20	35



Units: mm





# RxSOLUTIONS TECHNOLOGY Co Ltd

## DC CENTRIFUGAL FANS 75X30mm



### DC BLOWER FAN TYPE AV-F7530

SIZE:

75x75x30mm

CONSTRUCTION:

Glass fiber reinforced thermoplastic

Impeller and housing UL94V-0

OPERATING TEMPERATURE:

Sleeve bearing -10C to +70C

INSULATION RESISTANCE:

>10 megohm at 500VDC

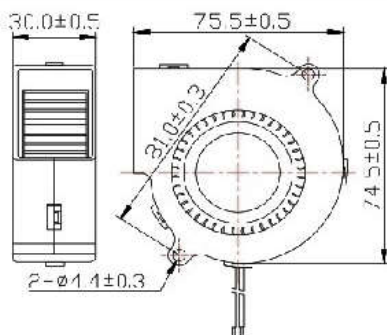
(frame-terminal/wires)

DIELECTRIC STRENGTH:

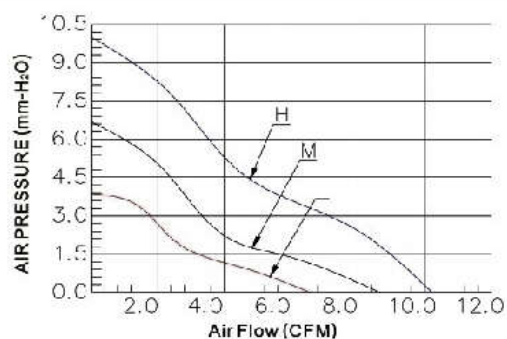
500V/60HZ, 5mA, 1 minute

(frame-terminal)

MODEL	BEARING TYPE	RATED VOLTAGE (DC)	OPERATING VOLTAGE (DC)	CURRENT (A)	SPEED (RPM)	AIR FLOW (CFM)	STATIC PRESSURE (mmH2O)	NOISE LEVEL (dBA)	WEIGHT (g)
AV-F7530HS	SLEEVE	12	10.8-13.2	0.50	3000	10.50	9.80	37.50	76
AV-F7530MS	SLEEVE	12	10.8-13.2	0.40	2500	8.80	6.60	35.50	76
AV-F7530LS	SLEEVE	12	10.8-13.2	0.30	2000	7.10	3.90	27.50	76
AV-F7530HB	BALL	12	10.8-13.2	0.50	3000	10.50	9.80	37.50	76
AV-F7530MB	BALL	12	10.8-13.2	0.40	2500	8.80	6.60	35.50	76
AV-F7530LB	BALL	12	10.8-13.2	0.30	2000	7.10	3.90	27.50	76
AV-F7530HS24	SLEEVE	24	21.6-26.4	0.30	3000	10.50	9.80	37.50	76
AV-F7530MS24	SLEEVE	24	21.6-26.4	0.24	2500	8.80	6.60	35.50	76
AV-F7530LS24	SLEEVE	24	21.6-26.4	0.18	2000	7.10	3.90	27.50	76
AV-F7530HB24	BALL	24	21.6-26.4	0.30	3000	10.50	9.80	37.50	76
AV-F7530MB24	BALL	24	21.6-26.4	0.24	2500	8.80	6.60	35.50	76
AV-F7530LB24	BALL	24	21.6-26.4	0.18	2000	7.10	3.90	27.50	76



Units: mm





# RxSOLUTIONS TECHNOLOGY Co Ltd

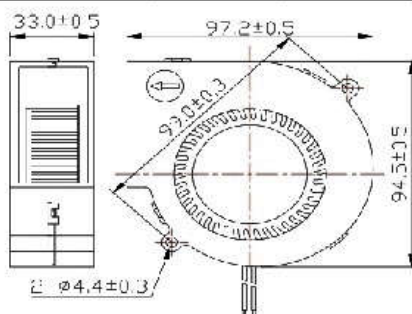
## DC CENTRIFUGAL FANS 97X33mm



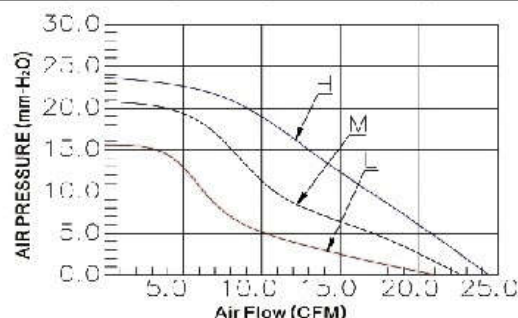
**SIZE:**  
 97x97x33mm  
**CONSTRUCTION:**  
 Glass fiber reinforced thermoplastic  
 Impeller and housing UL94V-0  
**OPERATING TEMPERATURE:**  
 Sleeve bearing -10C to +70C  
**INSULATION RESISTANCE:**  
 >10 megohm at 500VDC  
 (frame-terminal/wires)  
**DIELECTRIC STRENGTH:**  
 500V/60HZ, 5mA, 1 minute  
 (frame-terminal)

## DC BLOWER FAN TYPE AV-F9733

MODEL	BEARING TYPE	RATED VOLTAGE (DC)	OPERATING VOLTAGE (DC)	CURRENT (A)	SPEED (RPM)	AIR FLOW (CFM)	STATIC PRESSURE (mmH2O)	NOISE LEVEL (dBA)	WEIGHT (g)
AV-F9733HS	SLEEVE	12	10.8-13.2	1.00	3200	24.90	23.06	48.83	146
AV-F9733MS	SLEEVE	12	10.8-13.2	0.60	3000	23.10	20.86	43.67	146
AV-F9733LS	SLEEVE	12	10.8-13.2	0.50	2600	20.10	15.03	34.34	146
AV-F9733HB	BALL	12	10.8-13.2	1.00	3200	24.90	23.06	48.83	146
AV-F9733MB	BALL	12	10.8-13.2	0.60	3000	23.10	20.86	43.67	146
AV-F9733LB	BALL	12	10.8-13.2	0.50	2600	20.10	15.03	34.34	146
AV-F9733HS24	SLEEVE	24	21.6-26.4	0.60	3200	24.90	23.06	48.83	146
AV-F9733MS24	SLEEVE	24	21.6-26.4	0.40	3000	23.10	20.86	43.67	146
AV-F9733LS24	SLEEVE	24	21.6-26.4	0.30	2600	20.10	15.03	34.34	146
AV-F9733HB24	BALL	24	21.6-26.4	0.60	3200	24.90	23.06	48.83	146
AV-F9733MB24	BALL	24	21.6-26.4	0.40	3000	23.10	20.86	43.67	146
AV-F9733LB24	BALL	24	21.6-26.4	0.30	2600	20.10	15.03	34.34	146



Units: mm





# RxSOLUTIONS TECHNOLOGY Co Ltd

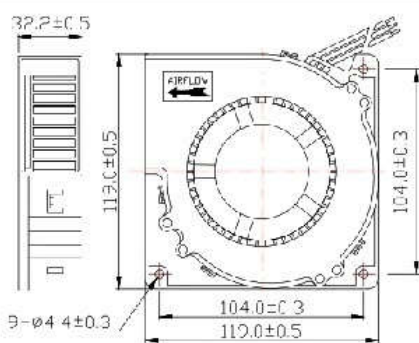
## DC CENTRIFUGAL FANS 120X32mm



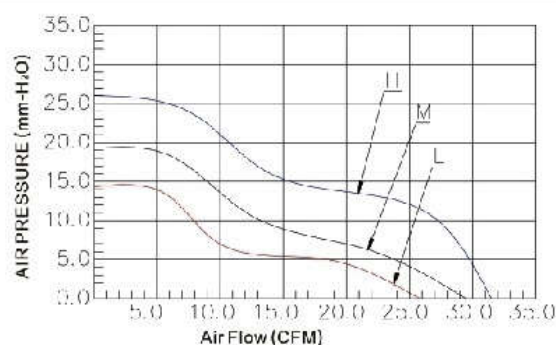
**SIZE:**  
 120x120x32mm  
**CONSTRUCTION:**  
 Glass fiber reinforced thermoplastic  
 Impeller and housing UL94V-0  
**OPERATING TEMPERATURE:**  
 Sleeve bearing -10C to +70C  
**INSULATION RESISTANCE:**  
 >10 megohm at 500VDC  
 (frame-terminal/wires)  
**DIELECTRIC STRENGTH:**  
 500V/60HZ, 5mA, 1 minute  
 (frame-terminal)

### DC BLOWER FAN TYPE AV-F12032

MODEL	BEARING TYPE	RATED VOLTAGE (DC)	OPERATING VOLTAGE (DC)	CURRENT (A)	SPEED (RPM)	AIR FLOW (CFM)	STATIC PRESSURE (mmH2O)	NOISE LEVEL (dBA)	WEIGHT (g)
AV-F12032HS	SLEEVE	12	10.8-13.2	0.60	2100	31.83	25.10	45.80	240
AV-F12032MS	SLEEVE	12	10.8-13.2	0.50	1800	28.89	18.55	43.70	240
AV-F12032LS	SLEEVE	12	10.8-13.2	0.32	1600	25.87	14.10	40.90	240
AV-F12032HB	BALL	12	10.8-13.2	0.60	2100	31.83	25.10	45.80	240
AV-F12032MB	BALL	12	10.8-13.2	0.50	1800	28.89	18.55	43.70	240
AV-F12032LB	BALL	12	10.8-13.2	0.32	1600	25.87	14.10	40.90	240
AV-F12032HS24	SLEEVE	24	21.6-26.4	0.40	2100	31.83	25.10	45.80	240
AV-F12032MS24	SLEEVE	24	21.6-26.4	0.30	1800	28.89	18.55	43.70	240
AV-F12032LS24	SLEEVE	24	21.6-26.4	0.20	1600	25.87	14.10	40.90	240
AV-F12032HB24	BALL	24	21.6-26.4	0.40	2100	31.83	25.10	45.80	240
AV-F12032MB24	BALL	24	21.6-26.4	0.30	1800	28.89	18.55	43.70	240
AV-F12032LB24	BALL	24	21.6-26.4	0.20	1600	25.87	14.10	40.90	240



Units: mm







# RxSOLUTIONS TECHNOLOGY Co Ltd

## DC HI OUTPUT CENTRIFUGAL FAN 97X33mm



**SIZE:**  
 97x93x33mm  
**CONSTRUCTION:**  
 Glass fiber reinforced thermoplastic  
 Impeller and housing UL94V-0  
**OPERATING TEMPERATURE:**  
 Sleeve bearing -10C to +70C  
**INSULATION RESISTANCE:**  
 >10 megohm at 500VDC  
 (frame-terminal/wires)  
**DIELECTRIC STRENGTH:**  
 500V/60HZ, 5mA, 1 minute  
 (frame-terminal/wires)

### HI PERFORMANCE CENTRIFICAL BLOWER FANS AV-F9733

MODEL	FRAME SIZE (mm)	BEARING TYPE	RATED VOLTAGE (DC)	OPERATING VOLTAGES (DC)	CURRENT (A)	SPEED (RPM)	AIRFLOW (CFM)	STATIC PRESSURE (mm Hg)	NOISE LEVEL (Db-A)	WEIGHT (gm)
AV-F9733DB	97*93*33	BALL	12	6.0-13.8	2	5500	36.6	59.7	62	165
AV-F9733DB	97*93*33	BALL	12	6.0-13.8	1.5	5000	33.3	47.4	60	165
AV-F9733DB24	97*93*33	BALL	24	12.0-27.6	1	5500	36.6	59.7	62	165
AV-F9733DB24	97*93*33	BALL	24	12.0-27.6	1	5000	33.3	47.4	60	165
AV-F9733DB48	97*93*33	BALL	48	24.0-55.2	1	5500	36.6	59.7	62	165
AV-F9733DB48	97*93*33	BALL	48	24.0-55.2	0.4	5000	33.3	47.4	60	165



# RxSOLUTIONS TECHNOLOGY Co Ltd

## DC CENTRIFUGAL FAN 30X10mm



DC blower fan type ZY-3010

For further details please contact our [Customer Service Department](#)

SIZE:  
30x10mm  
CONSTRUCTION:  
Glass fiber reinforced thermoplastic  
Impeller and housing UL94V-0  
OPERATING TEMPERATURE:  
Sleeve bearing -10C to +70C  
INSULATION RESISTANCE:  
>10 megohm at 500VDC  
(frame-terminal/wires)  
DIELECTRIC STRENGTH:  
500V/60HZ, 5mA, 1 minute  
(frame-terminal)



# RxSOLUTIONS TECHNOLOGY Co Ltd

## DC CENTRIFUGAL FAN 40X10mm



DC blower fan type ZY-4010

For further details please contact our [Customer Service Department](#)

SIZE:  
 40x10mm  
 CONSTRUCTION:  
 Glass fiber reinforced thermoplastic  
 Impeller and housing UL94V-0  
 OPERATING TEMPERATURE:  
 Sleeve bearing -10C to +70C  
 INSULATION RESISTANCE:  
 >10 megohm at 500VDC  
 (frame-terminal/wires)  
 DIELECTRIC STRENGTH:  
 500V/60HZ, 5mA, 1 minute  
 (frame-terminal)

Model	Bearing Type	Voltage	Current	Power	Speed	Air Flow	Static Pressure	Noise
Part No.		VDC	Amp	Watt	RPM	CFM	mmH2O	dB-A
ZY-4010	B.S	5V	0.11	0.55	5000	1.34	3.03	23.30
ZY-4010		5V	0.15	0.75	6000	1.64	4.89	16.00
ZY-4010		5V	0.21	1.05	7000	2.03	7.17	29.30
ZY-4010		5V	0.25	1.25	8000	2.42	9.5	32.10
ZY-4010		5V	0.29	1.45	9000	2.76	12.86	35.00
ZY-4010		5V	0,35	1.75	10000	3.2	13.93	37.00
ZY-4010	B.S	12V	0.046	0.55	5000	1.34	3.03	23.30
ZY-4010		12V	0.062	0.75	6000	1.64	4.89	16.00
ZY-4010		12V	0.09	1.05	7000	2.03	7.17	29.30
ZY-4010		12V	0.1	1.25	8000	2.42	9.5	32.10
ZY-4010		12V	0.12	1.45	9000	2.76	12.86	35.00
ZY-4010		12V	0.146	1.75	10000	3.2	13.93	37.00



# RxSOLUTIONS TECHNOLOGY Co Ltd

## DC CENTRIFUGAL FAN 45X10mm



DC blower fan type ZY-4510

For further details please contact our [Customer Service Department](#)

SIZE:  
45x10mm  
CONSTRUCTION:  
Glass fiber reinforced thermoplastic  
Impeller and housing UL94V-0  
OPERATING TEMPERATURE:  
Sleeve bearing -10C to +70C  
INSULATION RESISTANCE:  
>10 megohm at 500VDC  
(frame-terminal/wires)  
DIELECTRIC STRENGTH:  
500V/60HZ, 5mA, 1 minute  
(frame-terminal)

Model	Bearing Type	Voltage	Current	Power	Speed	Air Flow	Static Pressure	Noise
Part No.		VDC	Amp	Watt	RPM	CFM	mmH2O	dB-A
ZY-4510S	sleeve	5V	0.05	0.25	3500	1.66	0.122	21.50
ZY-4510S	sleeve	5V	0.07	0.35	4500	2.15	0.228	27.00
ZY-4510B	ball	5V	0.21	0.55	5200	2.75	0.383	30.50
ZY-4510B	ball	5V	0.35	0.8	6500	3.28	0.555	35.50
ZY-4510S	sleeve	12V	0.04	0.58	3500	1.66	0.122	21.50
ZY-4510S	sleeve	12V	0.05	0.6	4500	2.15	0.228	27.00
ZY-4510B	ball	12V	0.06	0.72	5200	2.75	0.383	30.50
ZY-4510B	ball	12V	0.08	0.96	6500	3.28	0.555	35.50



# RxSOLUTIONS TECHNOLOGY Co Ltd

## DC CENTRIFUGAL FAN 60X252mm



DC blower fan type ZY-6025B/S

For further details please contact our [Customer Service Department](#)

SIZE:  
60x25mm  
CONSTRUCTION:  
Glass fiber reinforced thermoplastic  
Impeller and housing UL94V-0  
OPERATING TEMPERATURE:  
Sleeve bearing -10C to +70C  
INSULATION RESISTANCE:  
>10 megohm at 500VDC  
(frame-terminal/wires)  
DIELECTRIC STRENGTH:  
500V/60HZ, 5mA, 1 minute  
(frame-terminal)

Model	Bearing Type	Voltage	Current	Power	Speed	Air Flow	Static Pressure	Noise	Weight
Part No.		VDC	Amp	Watt	RPM	CFM	mmH2O	dB-A	g
ZY-6025B/S05H	B.S	5V	0.45	2.25	5500	5.7	0.54	41.00	35
ZY-6025B/S05M			0.35	1.75	5000	4.6	0.32	36.00	35
ZY-6025B/S05L			0.23	1.15	4500	3.6	0.18	27.00	35
ZY-6025B/S12H	B.S	12V	0.23	2.76	5500	5.7	0.54	41.00	35
ZY-6025B/S12M			0.18	2.16	5000	4.6	0.32	36.00	35
ZY-6025B/S12L			0.13	1.56	4500	3.6	0.18	27.00	35
ZY-6025B/S24H	B.S	24V	0.14	3.36	5500	5.7	0.54	41.00	35
ZY-6025B/S24M			0.09	2.16	5000	4.6	0.32	36.00	35
ZY-6025B/S12L			0.06	1.44	4500	3.6	0.18	27.00	35



**Company Profile:**

RxSOLUTIONS TECHNOLOGY Co., Ltd. has been a professional manufacturer of fan products for 14 Years. This is a high-technology enterprise dedicated to the innovation and development of new cooling and fan control applications. We manufacture both enclosure/equipment axial fans, centrifugal blowers and mini-USB consumer fans.

USE OUR WEBSITE *CONTACT FORM* TO DISCUSS  
DESIGN RECOMMENDATIONS AND PRICING  
FOR YOUR PARTICULAR APPLICATION



**Contact information:**

Website: <http://www.rxstechnology.com>  
Office telephone: +86 769 8800 7627  
Cell/mobile: +86 136 0968 9281  
Email: [EmilyZhang@rxstechnology.com](mailto:EmilyZhang@rxstechnology.com)  
Skype: Emily\_Zhang668  
WeChat: emilyzhang9420  
QQ: 895071090

Address:  
#513C ChunFeng Ming  
Yuan XianXi Mingen East Street  
Changan Town, Dongguan  
Guangdong Province,  
China

ALL DC CENTRIFUGAL FANS ENCLOSURE TYPE 2020-8

[www.rxstechnology.com](http://www.rxstechnology.com)