



RxSOLUTIONS TECHNOLOGY Co Ltd

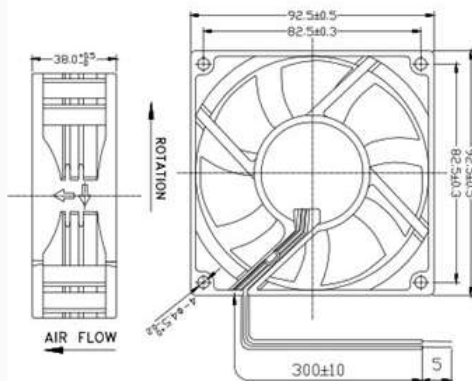
DC AXIAL FAN 92X38MM



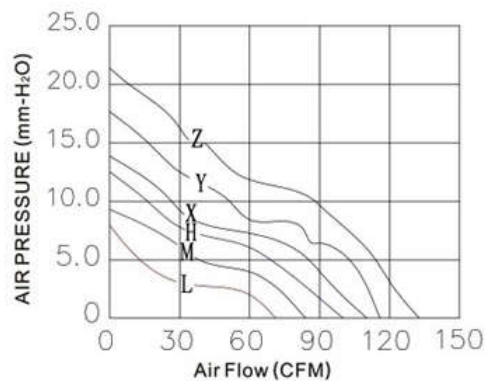
DC AXIAL FAN TYPE AV-F9238

SIZE:
 92x92x38mm
CONSTRUCTION:
 Glass fiber reinforced thermoplastic
 Impeller and housing UL94V-0
OPERATING TEMPERATURE:
 Sleeve bearing -10C to +70C
INSULATION RESISTANCE:
 >10 megohm at 500VDC
 (frame-terminal/wires)
DIELECTRIC STRENGTH:
 500V/60HZ, 5mA, 1 minute
 (frame-terminal/wires)

MODEL	BEARING TYPE	RATED VOLTAGE (DC)	OPERATING VOLTAGE (DC)	CURRENT (A)	SPEED (RPM)	AIR FLOW (CFM)	STATIC PRESSURE (mmH2O)	NOISE LEVEL (dBA)	WEIGHT (g)
AV-F9238HB	BALL	12	10.8-13.2	0.5	2500	104.7	14.5	53.5	80
AV-F9238MB	BALL	12	10.8-13.2	0.8	3500	116.1	18.1	57	80
AV-F9238LB	BALL	12	10.8-13.2	1	4500	130.2	22	59.3	80
AV-F9238HB24	BALL	24	21.6-26.4	0.5	2500	104.7	14.5	53.5	80
AV-F9238MB24	BALL	24	21.6-26.4	0.7	3500	116.1	18.1	57	80
AV-F9238LB24	BALL	24	21.6-26.4	1	4500	130.2	22	59.3	80
AV-F9238HB48	BALL	48	43.2-52.8	0.36	2500	104.7	14.5	53.5	80
AV-F9238MB48	BALL	48	43.2-52.8	0.54	3500	116.1	18.1	57	80
AV-F9238LB48	BALL	48	43.2-52.8	0.65	4500	130.2	22	59.3	80



Units: mm





Company Profile:

RxSOLUTIONS TECHNOLOGY Co., Ltd. has been a professional manufacturer of fan products for 14 Years. This is a high-technology enterprise dedicated to the innovation and development of new cooling and fan control applications. We manufacture both enclosure/equipment axial fans, centrifugal blowers and mini-USB consumer fans.

USE OUR WEBSITE *CONTACT FORM* TO DISCUSS
DESIGN RECOMMENDATIONS AND PRICING
FOR YOUR PARTICULAR APPLICATION



Contact information:

Website: <http://www.rxstechnology.com>
Office telephone: +86 769 8800 7627
Cell/mobile: +86 136 0968 9281
Email: EmilyZhang@rxstechnology.com
Skype: Emily_Zhang668
WeChat: emilyzhang9420
QQ: 895071090

Address:
#513C ChunFeng Ming
Yuan XianXi Mingen East Street
Changan Town, Dongguan
Guangdong Province,
China