



# RxSOLUTIONS TECHNOLOGY Co Ltd

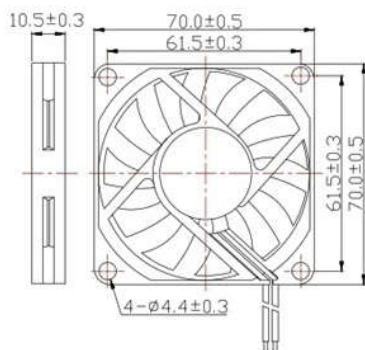
## DC AXIAL FAN 70X10MM



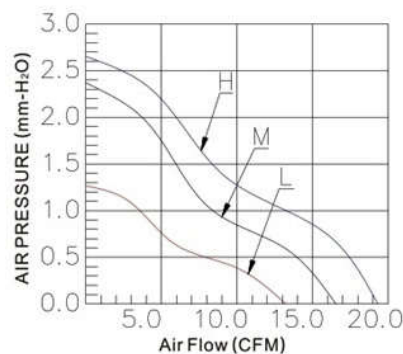
SIZE:  
 70x70x10mm  
 CONSTRUCTION:  
 Glass fiber reinforced thermoplastic  
 Impeller and housing UL94V-0  
 OPERATING TEMPERATURE:  
 Sleeve bearing -10C to +70C  
 INSULATION RESISTANCE:  
 >10 megohm at 500VDC  
 (frame-terminal/wires)  
 DIELECTRIC STRENGTH:  
 500V/60HZ, 5mA, 1 minute  
 (frame-terminal/wires)

### DC AXIAL FAN TYPE AV-F7010

MODEL	BEARING TYPE	RATED VOLTAGE (DC)	OPERATING VOLTAGE (DC)	CURRENT (A)	SPEED (RPM)	AIR FLOW (CFM)	STATIC PRESSURE (mmH2O)	NOISE LEVEL (dBA)	WEIGHT (g)
AV-F7010HS	SLEEVE	12	10.8-13.2	0.21	3500	19.13	2.65	32.6	24.2
AV-F7010MS	SLEEVE	12	10.8-13.2	0.14	3000	16.39	2.48	27.95	24.2
AV-F7010LS	SLEEVE	12	10.8-13.2	0.1	2500	13.31	1.28	23.86	24.2
AV-F7010HB	BALL	12	10.8-13.2	0.21	3500	19.13	2.65	32.6	24.2
AV-F7010MB	BALL	12	10.8-13.2	0.14	3000	16.39	2.48	27.95	24.2
AV-F7010LB	BALL	12	10.8-13.2	0.1	2500	13.31	1.28	23.86	24.2
AV-F7010HS24	SLEEVE	24	21.6-26.4	0.13	3500	19.13	2.65	32.6	24.2
AV-F7010MS24	SLEEVE	24	21.6-26.4	0.11	3000	16.39	2.48	27.95	24.2
AV-F7010LS24	SLEEVE	24	21.6-26.4	0.08	2500	13.31	1.28	23.86	24.2
AV-F7010HB24	BALL	24	21.6-26.4	0.13	3500	19.13	2.65	32.6	24.2
AV-F7010MB24	BALL	24	21.6-26.4	0.11	3000	16.39	2.48	27.95	24.2
AV-F7010LB24	BALL	24	21.6-26.4	0.08	2500	13.31	1.28	23.86	24.2



Units: mm





## Company Profile:

RxSOLUTIONS TECHNOLOGY Co., Ltd. has been a professional manufacturer of fan products for 14 Years. This is a high-technology enterprise dedicated to the innovation and development of new cooling and fan control applications. We manufacture both enclosure/equipment axial fans, centrifugal blowers and mini-USB consumer fans.

USE OUR WEBSITE *CONTACT FORM* TO DISCUSS  
DESIGN RECOMMENDATIONS AND PRICING  
FOR YOUR PARTICULAR APPLICATION



## Contact information:

Website: <http://www.rxstechnology.com>  
Office telephone: +86 769 8800 7627  
Cell/mobile: +86 136 0968 9281  
Email: [EmilyZhang@rxstechnology.com](mailto:EmilyZhang@rxstechnology.com)  
Skype: Emily\_Zhang668  
WeChat: emilyzhang9420  
QQ: 895071090

Address:  
#513C ChunFeng Ming  
Yuan XianXi Mingen East Street  
Changan Town, Dongguan  
Guangdong Province,  
China