



# RxSOLUTIONS TECHNOLOGY Co Ltd

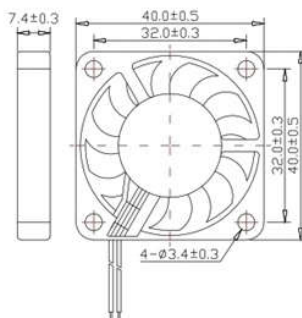
## DC AXIAL FAN 40X7MM



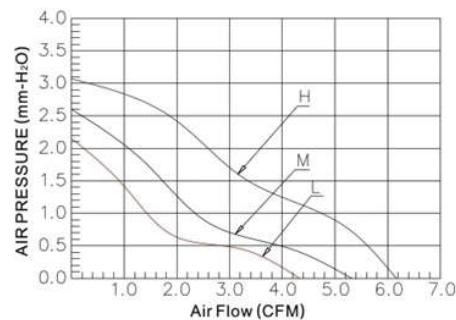
DC axial fan type AV-F4007

SIZE:  
 40x40x7mm  
 CONSTRUCTION:  
 Glass fiber reinforced thermoplastic  
 Impeller and housing UL94V-0  
 OPERATING TEMPERATURE:  
 Sleeve bearing -10C to +70C  
 INSULATION RESISTANCE:  
 >10 megohm at 500VDC  
 (frame-terminal/wires)  
 DIELECTRIC STRENGTH:  
 500V/60HZ, 5mA, 1 minute  
 (frame-terminal/wires)

MODEL	BEARING TYPE	RATED VOLTAGE (DC)	OPERATING VOLTAGE (DC)	CURRENT (A)	SPEED (RPM)	AIR FLOW (CFM)	STATIC PRESSURE (mmH2O)	NOISE LEVEL (dBA)	WEIGHT (g)
AV-F4007HS05	SLEEVE	5	4.5-5.5	0.26	7000	6.07	3.03	31.59	10.5
AV-F4007MS05	SLEEVE	5	4.5-5.5	0.2	6000	5.21	2.6	27.08	10.5
AV-F4007LS05	SLEEVE	5	4.5-5.5	0.12	5000	4.3	2.17	22.57	10.5
AV-F4007HS	SLEEVE	12	10.8-13.2	0.13	7000	6.07	3.03	31.59	10.5
AV-F4007MS	SLEEVE	12	10.8-13.2	0.1	6000	5.21	2.6	27.08	10.5
AV-F4007LS	SLEEVE	12	10.8-13.2	0.07	5000	4.3	2.17	22.57	10.5



Units: mm





## Company Profile:

RxSOLUTIONS TECHNOLOGY Co., Ltd. has been a professional manufacturer of fan products for 14 Years. This is a high-technology enterprise dedicated to the innovation and development of new cooling and fan control applications. We manufacture both enclosure/equipment axial fans, centrifugal blowers and mini-USB consumer fans.

USE OUR WEBSITE *CONTACT FORM* TO DISCUSS  
DESIGN RECOMMENDATIONS AND PRICING  
FOR YOUR PARTICULAR APPLICATION



## Contact information:

Website: <http://www.rxstechnology.com>  
Office telephone: +86 769 8800 7627  
Cell/mobile: +86 136 0968 9281  
Email: [EmilyZhang@rxstechnology.com](mailto:EmilyZhang@rxstechnology.com)  
Skype: Emily\_Zhang668  
WeChat: emilyzhang9420  
QQ: 895071090

Address:  
#513C ChunFeng Ming  
Yuan XianXi Mingen East Street  
Changan Town, Dongguan  
Guangdong Province,  
China