



# RxSOLUTIONS TECHNOLOGY Co Ltd

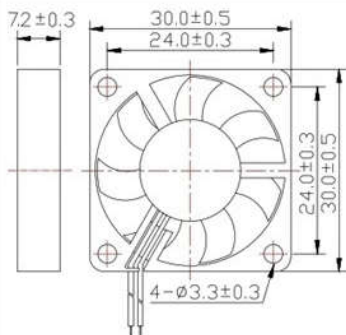
## DC AXIAL FAN 30X07MM



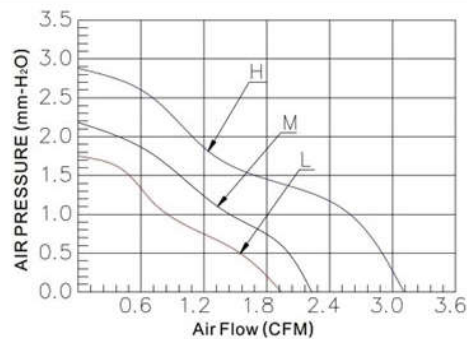
DC AXIAL FAN TYPE AV-F3007

**SIZE:**  
 30x30x7mm  
**CONSTRUCTION:**  
 Glass fiber reinforced thermoplastic  
 Impeller and housing UL94V-0  
**OPERATING TEMPERATURE:**  
 Sleeve bearing -10C to +70C  
**INSULATION RESISTANCE:**  
 >10 megohm at 500VDC  
 (frame-terminal/wires)  
**DIELECTRIC STRENGTH:**  
 500V/60HZ, 5mA, 1 minute  
 (frame-terminal/wires)

| MODEL        | BEARING TYPE | RATED VOLTAGE (DC) | OPERATING VOLTAGE (DC) | CURRENT (A) | SPEED (RPM) | AIR FLOW (CFM) | STATIC PRESSURE (mmH2O) | NOISE LEVEL (dBA) | WEIGHT (g) |
|--------------|--------------|--------------------|------------------------|-------------|-------------|----------------|-------------------------|-------------------|------------|
| AV-F3007HS05 | SLEEVE       | 5                  | 4.5-5.5                | 0.2         | 8000        | 3.09           | 2.87                    | 25.44             | 8          |
| AV-F3007MS05 | SLEEVE       | 5                  | 4.5-5.5                | 0.16        | 6000        | 2.32           | 2.15                    | 21.25             | 8          |
| AV-F3007LS05 | SLEEVE       | 5                  | 4.5-5.5                | 0.12        | 5000        | 1.93           | 1.79                    | 20.11             | 8          |
| AV-F3007HB05 | BALL         | 5                  | 4.5-5.5                | 0.2         | 8000        | 3.09           | 2.87                    | 25.44             | 8          |
| AV-F3007MB05 | BALL         | 5                  | 4.5-5.5                | 0.16        | 6000        | 2.32           | 2.15                    | 21.25             | 8          |
| AV-F3007LB05 | BALL         | 5                  | 4.5-5.5                | 0.12        | 5000        | 1.93           | 1.79                    | 20.11             | 8          |
| AV-F3007HS   | SLEEVE       | 12                 | 10.8-13.2              | 0.12        | 8000        | 3.09           | 2.87                    | 25.44             | 8          |
| AV-F3007MS   | SLEEVE       | 12                 | 10.8-13.2              | 0.1         | 6000        | 2.32           | 2.15                    | 21.25             | 8          |
| AV-F3007LS   | SLEEVE       | 12                 | 10.8-13.2              | 0.08        | 5000        | 1.93           | 1.79                    | 20.11             | 8          |
| AV-F3007HB   | BALL         | 12                 | 10.8-13.2              | 0.12        | 8000        | 3.09           | 2.87                    | 25.44             | 8          |
| AV-F3007MB   | BALL         | 12                 | 10.8-13.2              | 0.1         | 6000        | 2.32           | 2.15                    | 21.25             | 8          |
| AV-F3007LB   | BALL         | 12                 | 10.8-13.2              | 0.08        | 5000        | 1.93           | 1.79                    | 20.11             | 8          |



Units: mm





## Company Profile:

RxSOLUTIONS TECHNOLOGY Co., Ltd. has been a professional manufacturer of fan products for 14 Years. This is a high-technology enterprise dedicated to the innovation and development of new cooling and fan control applications. We manufacture both enclosure/equipment axial fans, centrifugal blowers and mini-USB consumer fans.

USE OUR WEBSITE *CONTACT FORM* TO DISCUSS  
DESIGN RECOMMENDATIONS AND PRICING  
FOR YOUR PARTICULAR APPLICATION



## Contact information:

Website: <http://www.rxstechnology.com>  
Office telephone: +86 769 8800 7627  
Cell/mobile: +86 136 0968 9281  
Email: [EmilyZhang@rxstechnology.com](mailto:EmilyZhang@rxstechnology.com)  
Skype: Emily\_Zhang668  
WeChat: emilyzhang9420  
QQ: 895071090

Address:  
#513C ChunFeng Ming  
Yuan XianXi Mingen East Street  
Changan Town, Dongguan  
Guangdong Province,  
China