



RxSOLUTIONS TECHNOLOGY Co Ltd

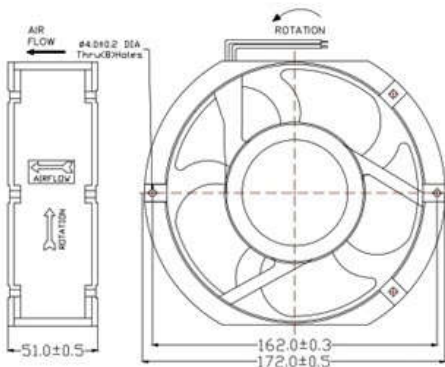
DC AXIAL FAN 175X51MM



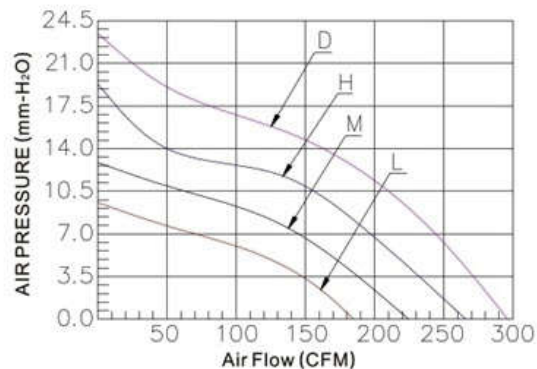
DC AXIAL FAN TYPE AV-F17251

SIZE:
 172x172x51mm
CONSTRUCTION:
 Glass fiber reinforced thermoplastic
 Impeller and housing UL94V-0
OPERATING TEMPERATURE:
 Sleeve bearing -10C to +70C
INSULATION RESISTANCE:
 >10 megohm at 500VDC
 (frame-terminal/wires)
DIELECTRIC STRENGTH:
 500V/60HZ, 5mA, 1 minute
 (frame-terminal/wires)

MODEL	BEARING TYPE	RATED VOLTAGE (DC)	OPERATING VOLTAGE (DC)	CURRENT (A)	SPEED (RPM)	AIR FLOW (CFM)	STATIC PRESSURE (mmH2O)	NOISE LEVEL (dBA)	WEIGHT (g)
AV-F17251DB24	BALL	24	21.6-26.4	1.5	4000	296	24.04	74.4	769
AV-F17251HB24	BALL	24	21.6-26.4	1	3600	266	19.48	67	769
AV-F17251MB24	BALL	24	21.6-26.4	0.6	3000	222	13.54	55.8	769
AV-F17251LB24	BALL	24	21.6-26.4	0.4	2500	185	9.4	46.5	769
AV-F17251DB48	BALL	48	43.2-52.8	0.8	4000	296	24.04	74.4	769
AV-F17251HB48	BALL	48	43.2-52.8	0.6	3600	266	19.48	67	769
AV-F17251MB48	BALL	48	43.2-52.8	0.35	3000	222	13.54	55.8	769
AV-F17251LB48	BALL	48	43.2-52.8	0.15	2500	185	9.4	46.5	769



Units: mm





Company Profile:

RxSOLUTIONS TECHNOLOGY Co., Ltd. has been a professional manufacturer of fan products for 14 Years. This is a high-technology enterprise dedicated to the innovation and development of new cooling and fan control applications. We manufacture both enclosure/equipment axial fans, centrifugal blowers and mini-USB consumer fans.

USE OUR WEBSITE *CONTACT FORM* TO DISCUSS
DESIGN RECOMMENDATIONS AND PRICING
FOR YOUR PARTICULAR APPLICATION



Contact information:

Website: <http://www.rxstechnology.com>
Office telephone: +86 769 8800 7627
Cell/mobile: +86 136 0968 9281
Email: EmilyZhang@rxstechnology.com
Skype: Emily_Zhang668
WeChat: emilyzhang9420
QQ: 895071090

Address:
#513C ChunFeng Ming
Yuan XianXi Mingen East Street
Changan Town, Dongguan
Guangdong Province,
China