



# RxSOLUTIONS TECHNOLOGY Co Ltd

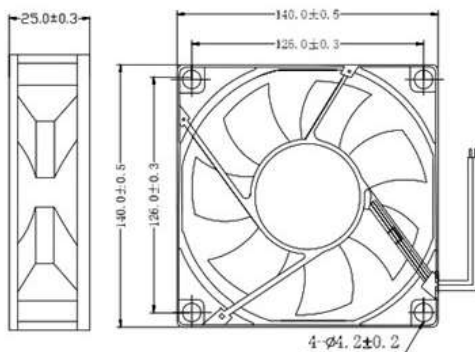
## DC AXIAL FAN 140X25MM



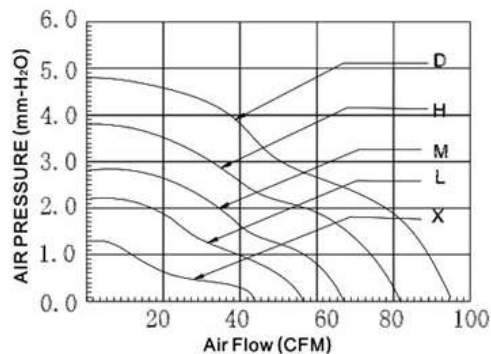
DC AXIAL FAN TYPE AV-F14025

**SIZE:**  
 140x140x25mm  
**CONSTRUCTION:**  
 Glass fiber reinforced thermoplastic  
 Impeller and housing UL94V-0  
**OPERATING TEMPERATURE:**  
 Sleeve bearing -10C to +70C  
**INSULATION RESISTANCE:**  
 >10 megohm at 500VDC  
 (frame-terminal/wires)  
**DIELECTRIC STRENGTH:**  
 500V/60HZ, 5mA, 1 minute  
 (frame-terminal/wires)

MODEL	BEARING TYPE	RATED VOLTAGE (DC)	OPERATING VOLTAGE (DC)	CURRENT (A)	SPEED (RPM)	AIR FLOW (CFM)	STATIC PRESSURE (mmH2O)	NOISE LEVEL (dBA)	WEIGHT (g)
AV-F14025HS	SLEEVE	12	10.8-13.2	0.6	3000	119.49	7.81	44.47	137
AV-F14025MS	SLEEVE	12	10.8-13.2	0.35	2000	107.54	6.66	41.51	137
AV-F14025LS	SLEEVE	12	10.8-13.2	0.2	1000	79.66	5.26	39.98	137
AV-F14025HB	BALL	12	10.8-13.2	0.6	3000	119.49	7.81	44.47	137
AV-F14025MB	BALL	12	10.8-13.2	0.35	2000	107.54	6.66	41.51	137
AV-F14025LB	BALL	12	10.8-13.2	0.2	1000	79.66	5.26	39.98	137
AV-F14025HS24	SLEEVE	24	21.6-26.4	0.4	3000	119.49	7.81	44.47	137
AV-F14025MS24	SLEEVE	24	21.6-26.4	0.25	2000	107.54	6.66	41.51	137
AV-F14025LS24	SLEEVE	24	21.6-26.4	0.15	1000	79.66	5.26	39.98	137
AV-F14025HB24	BALL	24	21.6-26.4	0.4	3000	119.49	7.81	44.47	137
AV-F14025MB24	BALL	24	21.6-26.4	0.25	2000	107.54	6.66	41.51	137
AV-F14025LB24	BALL	24	21.6-26.4	0.15	1000	79.66	5.26	39.98	137



Units: mm





## Company Profile:

RxSOLUTIONS TECHNOLOGY Co., Ltd. has been a professional manufacturer of fan products for 14 Years. This is a high-technology enterprise dedicated to the innovation and development of new cooling and fan control applications. We manufacture both enclosure/equipment axial fans, centrifugal blowers and mini-USB consumer fans.

USE OUR WEBSITE *CONTACT FORM* TO DISCUSS  
DESIGN RECOMMENDATIONS AND PRICING  
FOR YOUR PARTICULAR APPLICATION



## Contact information:

Website: <http://www.rxstechnology.com>  
Office telephone: +86 769 8800 7627  
Cell/mobile: +86 136 0968 9281  
Email: [EmilyZhang@rxstechnology.com](mailto:EmilyZhang@rxstechnology.com)  
Skype: Emily\_Zhang668  
WeChat: emilyzhang9420  
QQ: 895071090

Address:  
#513C ChunFeng Ming  
Yuan XianXi Mingen East Street  
Changan Town, Dongguan  
Guangdong Province,  
China