



RxSOLUTIONS TECHNOLOGY Co Ltd

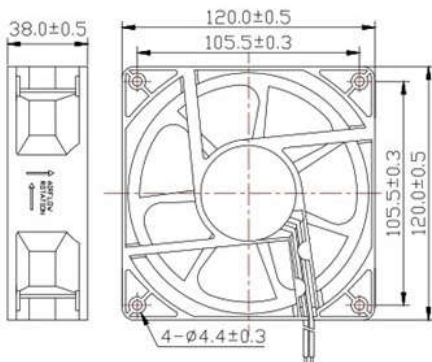
DC AXIAL FAN 120X38MM



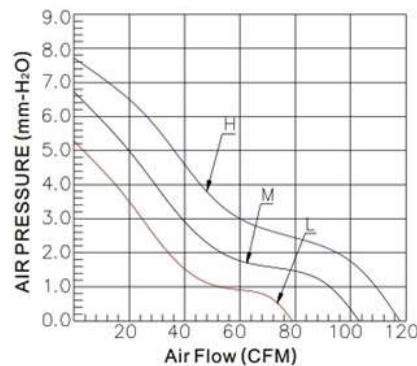
SIZE:
 120x120x38mm
CONSTRUCTION:
 Glass fiber reinforced thermoplastic
 Impeller and housing UL94V-0
OPERATING TEMPERATURE:
 Sleeve bearing -10C to +70C
INSULATION RESISTANCE:
 >10 megohm at 500VDC
 (frame-terminal/wires)
DIELECTRIC STRENGTH:
 500V/60HZ, 5mA, 1 minute
 (frame-terminal/wires)

DC AXIAL FAN TYPE AV-F12038

MODEL	BEARING TYPE	RATED VOLTAGE (DC)	OPERATING VOLTAGE (DC)	CURRENT (A)	SPEED (RPM)	AIR FLOW (CFM)	STATIC PRESSURE (mmH2O)	NOISE LEVEL (dBA)	WEIGHT (g)
AV-F12038HS	SLEEVE	12	10.8-13.2	1	4000	119.49	7.81	44.47	236
AV-F12038MS	SLEEVE	12	10.8-13.2	0.45	3000	107.54	6.66	41.51	236
AV-F12038LS	SLEEVE	12	10.8-13.2	0.3	2000	79.66	5.26	39.98	236
AV-F12038HB	BALL	12	10.8-13.2	1	4000	119.49	7.81	44.47	236
AV-F12038MB	BALL	12	10.8-13.2	0.45	3000	107.54	6.66	41.51	236
AV-F12038LB	BALL	12	10.8-13.2	0.3	2000	79.66	5.26	39.98	236
AV-F12038HS24	SLEEVE	24	21.6-26.4	0.75	4000	119.49	7.81	44.47	236
AV-F12038MS24	SLEEVE	24	21.6-26.4	0.3	3000	107.54	6.66	41.51	236
AV-F12038LS24	SLEEVE	24	21.6-26.4	0.2	2000	79.66	5.26	39.98	236
AV-F12038HB24	BALL	24	21.6-26.4	0.75	4000	119.49	7.81	44.47	236
AV-F12038MB24	BALL	24	21.6-26.4	0.3	3000	107.54	6.66	41.51	236
AV-F12038LB24	BALL	24	21.6-26.4	0.2	2000	79.66	5.26	39.98	236



Units: mm





Company Profile:

RxSOLUTIONS TECHNOLOGY Co., Ltd. has been a professional manufacturer of fan products for 14 Years. This is a high-technology enterprise dedicated to the innovation and development of new cooling and fan control applications. We manufacture both enclosure/equipment axial fans, centrifugal blowers and mini-USB consumer fans.

USE OUR WEBSITE *CONTACT FORM* TO DISCUSS
DESIGN RECOMMENDATIONS AND PRICING
FOR YOUR PARTICULAR APPLICATION



Contact information:

Website: <http://www.rxstechnology.com>
Office telephone: +86 769 8800 7627
Cell/mobile: +86 136 0968 9281
Email: EmilyZhang@rxstechnology.com
Skype: Emily_Zhang668
WeChat: emilyzhang9420
QQ: 895071090

Address:
#513C ChunFeng Ming
Yuan XianXi Mingen East Street
Changan Town, Dongguan
Guangdong Province,
China