



# RxSOLUTIONS TECHNOLOGY Co Ltd

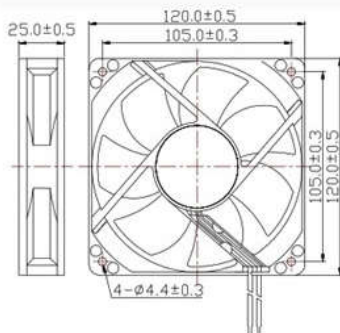
## DC AXIAL FAN 120X25MM



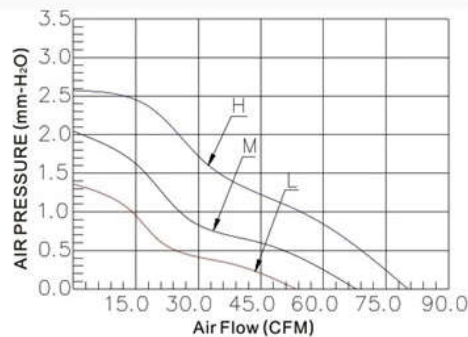
**SIZE:**  
 120x120x25mm  
**CONSTRUCTION:**  
 Glass fiber reinforced thermoplastic  
 Impeller and housing UL94V-0  
**OPERATING TEMPERATURE:**  
 Sleeve bearing -10C to +70C  
**INSULATION RESISTANCE:**  
 >10 megohm at 500VDC  
 (frame-terminal/wires)  
**DIELECTRIC STRENGTH:**  
 500V/60HZ, 5mA, 1 minute  
 (frame-terminal/wires)

### DC AXIAL FAN TYPE AV-F12025

MODEL	BEARING TYPE	RATED VOLTAGE (DC)	OPERATING VOLTAGE (DC)	CURRENT (A)	SPEED (RPM)	AIR FLOW (CFM)	STATIC PRESSURE (mmH <sub>2</sub> O)	NOISE LEVEL (dBA)	WEIGHT (g)
AV-F12025HS	SLEEVE	12	10.8-13.2	0.6	3000	79.25	2.57	32.48	130
AV-F12025MS	SLEEVE	12	10.8-13.2	0.35	2000	66.05	2.01	28	130
AV-F12025LS	SLEEVE	12	10.8-13.2	0.15	1000	52.58	1.37	24.43	130
AV-F12025HB	BALL	12	10.8-13.2	0.6	3000	79.25	2.57	32.48	130
AV-F12025MB	BALL	12	10.8-13.2	0.35	2000	66.05	2.01	28	130
AV-F12025LB	BALL	12	10.8-13.2	0.15	1000	52.58	1.37	24.43	130
AV-F12025HS24	SLEEVE	24	21.6-26.4	0.3	3000	79.25	2.57	32.48	130
AV-F12025MS24	SLEEVE	24	21.6-26.4	0.2	2000	66.05	2.01	28	130
AV-F12025LS24	SLEEVE	24	21.6-26.4	0.13	1000	52.58	1.37	24.43	130
AV-F12025HB24	BALL	24	21.6-26.4	0.3	3000	79.25	2.57	32.48	130
AV-F12025MB24	BALL	24	21.6-26.4	0.2	2000	66.05	2.01	28	130
AV-F12025LB24	BALL	24	21.6-26.4	0.13	1000	52.58	1.37	24.43	130



Units: mm





## Company Profile:

RxSOLUTIONS TECHNOLOGY Co., Ltd. has been a professional manufacturer of fan products for 14 Years. This is a high-technology enterprise dedicated to the innovation and development of new cooling and fan control applications. We manufacture both enclosure/equipment axial fans, centrifugal blowers and mini-USB consumer fans.

USE OUR WEBSITE *CONTACT FORM* TO DISCUSS  
DESIGN RECOMMENDATIONS AND PRICING  
FOR YOUR PARTICULAR APPLICATION



## Contact information:

Website: <http://www.rxstechnology.com>  
Office telephone: +86 769 8800 7627  
Cell/mobile: +86 136 0968 9281  
Email: [EmilyZhang@rxstechnology.com](mailto:EmilyZhang@rxstechnology.com)  
Skype: Emily\_Zhang668  
WeChat: emilyzhang9420  
QQ: 895071090

Address:  
#513C ChunFeng Ming  
Yuan XianXi Mingen East Street  
Changan Town, Dongguan  
Guangdong Province,  
China