



RxSOLUTIONS TECHNOLOGY Co Ltd

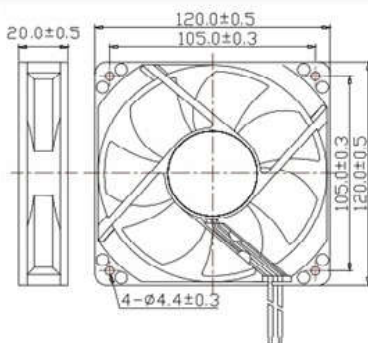
DC AXIAL FAN 120X20MM



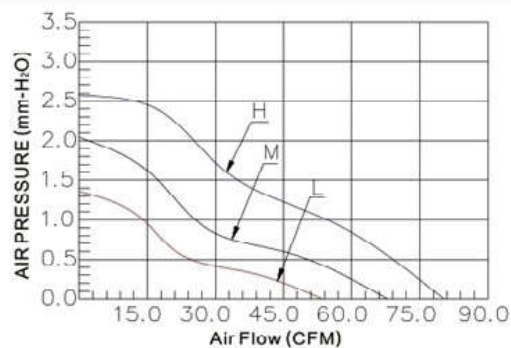
DC AXIAL FAN TYPE AV-F12020

SIZE:
 120x120x20mm
CONSTRUCTION:
 Glass fiber reinforced thermoplastic
 Impeller and housing UL94V-0
OPERATING TEMPERATURE:
 Sleeve bearing -10C to +70C
INSULATION RESISTANCE:
 >10 megohm at 500VDC
 (frame-terminal/wires)
DIELECTRIC STRENGTH:
 500V/60HZ, 5mA, 1 minute
 (frame-terminal/wires)

MODEL	BEARING TYPE	RATED VOLTAGE (DC)	OPERATING VOLTAGE (DC)	CURRENT (A)	SPEED (RPM)	AIR FLOW (CFM)	STATIC PRESSURE (mmH2O)	NOISE LEVEL (dBA)	WEIGHT (g)
AV-F12020HS	SLEEVE	12	10.8-13.2	0.3	2000	79.75	2.57	32.48	90.1
AV-F12020MS	SLEEVE	12	10.8-13.2	0.25	1700	66.05	2.01	28	90.1
AV-F12020LS	SLEEVE	12	10.8-13.2	0.2	1400	52.58	1.37	24.43	90.1
AV-F12020HB	BALL	12	10.8-13.2	0.3	2000	79.75	2.57	32.48	90.1
AV-F12020MB	BALL	12	10.8-13.2	0.25	1700	66.05	2.01	28	90.1
AV-F12020LB	BALL	12	10.8-13.2	0.2	1400	52.58	1.37	24.43	90.1
AV-F12020HS24	SLEEVE	24	21.6-26.4	0.23	2000	79.75	2.57	32.48	90.1
AV-F12020MS24	SLEEVE	24	21.6-26.4	0.18	1700	66.05	2.01	28	90.1
AV-F12020LS24	SLEEVE	24	21.6-26.4	0.13	1400	52.58	1.37	24.43	90.1
AV-F12020HB24	BALL	24	21.6-26.4	0.23	2000	79.75	2.57	32.48	90.1
AV-F12020MB24	BALL	24	21.6-26.4	0.18	1700	66.05	2.01	28	90.1
AV-F12020LB24	BALL	24	21.6-26.4	0.13	1400	52.58	1.37	24.43	90.1



Units: mm





Company Profile:

RxSOLUTIONS TECHNOLOGY Co., Ltd. has been a professional manufacturer of fan products for 14 Years. This is a high-technology enterprise dedicated to the innovation and development of new cooling and fan control applications. We manufacture both enclosure/equipment axial fans, centrifugal blowers and mini-USB consumer fans.

USE OUR WEBSITE *CONTACT FORM* TO DISCUSS
DESIGN RECOMMENDATIONS AND PRICING
FOR YOUR PARTICULAR APPLICATION



Contact information:

Website: <http://www.rxstechnology.com>
Office telephone: +86 769 8800 7627
Cell/mobile: +86 136 0968 9281
Email: EmilyZhang@rxstechnology.com
Skype: Emily_Zhang668
WeChat: emilyzhang9420
QQ: 895071090

Address:
#513C ChunFeng Ming
Yuan XianXi Mingen East Street
Changan Town, Dongguan
Guangdong Province,
China