



RxSOLUTIONS TECHNOLOGY Co Ltd

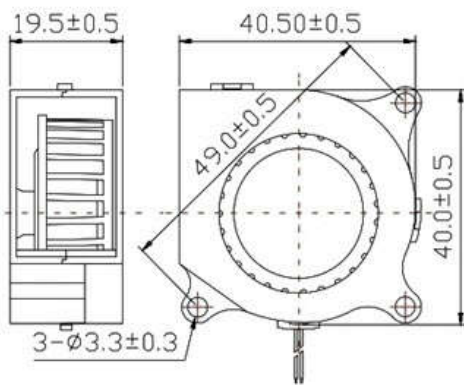
DC CENTRIFUGAL FANS 40X20mm



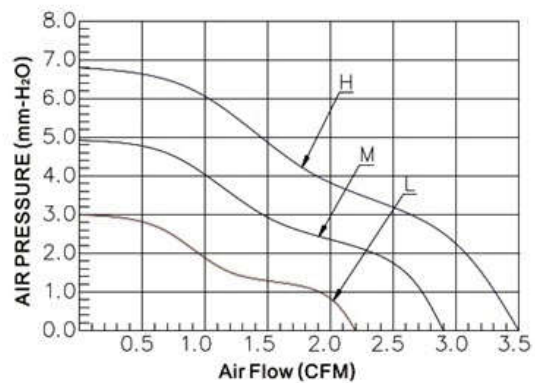
SIZE:
 40x40x20mm
 CONSTRUCTION:
 Glass fiber reinforced thermoplastic
 Impeller and housing UL94V-0
 OPERATING TEMPERATURE:
 Sleeve bearing -10C to +70C
 INSULATION RESISTANCE:
 >10 megohm at 500VDC
 (frame-terminal/wires)
 DIELECTRIC STRENGTH:
 500V/60HZ, 5mA, 1 minute
 (frame-terminal)

DC BLOWER FAN TYPE AV-F4020

MODEL	BEARING TYPE	RATED VOLTAGE (DC)	OPERATING VOLTAGE (DC)	CURRENT (A)	SPEED (RPM)	AIR FLOW (CFM)	STATIC PRESSURE (mmH2O)	NOISE LEVEL (dBA)	WEIGHT (g)
AV-F4020HS05	SLEEVE	5	4.5-5.5	0.26	5300	3.50	6.80	29.60	24
AV-F4020MS05	SLEEVE	5	4.5-5.5	0.20	4200	2.90	4.90	25.50	24
AV-F4020LS05	SLEEVE	5	4.5-5.5	0.14	3000	2.20	3.00	21.40	24
AV-F4020HS	SLEEVE	12	10.8-13.2	0.15	6000	4.10	8.50	34.80	24
AV-F4020MS	SLEEVE	12	10.8-13.2	0.11	5300	3.50	6.80	29.60	24
AV-F4020LS	SLEEVE	12	10.8-13.2	0.07	4200	2.90	4.90	25.50	24



Units: mm





Company Profile:

RxSOLUTIONS TECHNOLOGY Co., Ltd. has been a professional manufacturer of fan products for 14 Years. This is a high-technology enterprise dedicated to the innovation and development of new cooling and fan control applications. We manufacture both enclosure/equipment axial fans, centrifugal blowers and mini-USB consumer fans.

USE OUR WEBSITE *CONTACT FORM* TO DISCUSS
DESIGN RECOMMENDATIONS AND PRICING
FOR YOUR PARTICULAR APPLICATION



Contact information:

Website: <http://www.rxstechnology.com>
Office telephone: +86 769 8800 7627
Cell/mobile: +86 136 0968 9281
Email: EmilyZhang@rxstechnology.com
Skype: Emily_Zhang668
WeChat: emilyzhang9420
QQ: 895071090

Address:
#513C ChunFeng Ming
Yuan XianXi Mingen East Street
Changan Town, Dongguan
Guangdong Province,
China

ALL DC CENTRIFUGAL FANS ENCLOSURE TYPE 2020-8

www.rxstechnology.com