



RxSOLUTIONS TECHNOLOGY Co Ltd

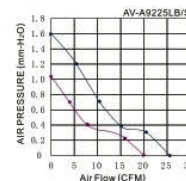
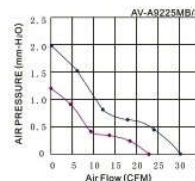
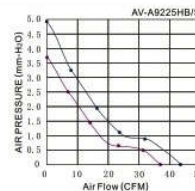
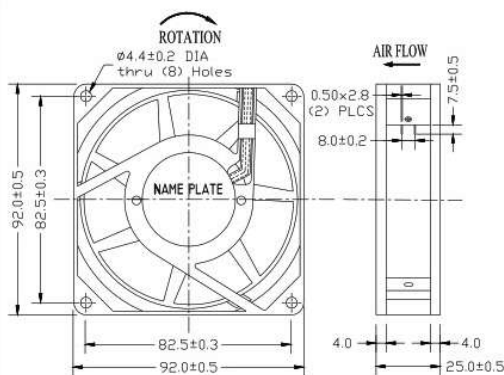
AC AXIAL FAN 92X25MM



SIZE: 92x25mm
CONSTRUCTION:
 Black die-cast aluminum housing
 Glass fiber reinforced thermoplastic impeller UL94V-0
MOTOR:
 Shaded pole, Impedance protected
CONNECTION:
 Wire or terminal
OPERATING TEMPERATURE:
 Ball bearing -30 to +75, sleeve bearing -10C to +70C
INSULATION RESISTANCE:
 >10 megohm at 500VDC, (frame-terminal/wires)
DIELECTRIC STRENGTH:
 500V/60HZ, 5mA, 1 minute, (frame-terminal/wires)

AC FAN TYPE AV-A9255

MODEL	BEARING TYPE	RATED VOLTAGE (VAC)	FREQUENCY (HZ)	CURRENT (A)	POWER (W)	SPEED (RPM)	NOISE LEVEL (dBA)	AIR FLOW (M ³ /M)	AIR FLOW (CFM)	STATIC PRESSURE (mmH ₂ O)	WEIGHT (g)
AV-A9225HB10	Ball	115	50/60	0.12/0.1	14/13.5	2500/2900	32/37	0.85/1.05	30/37	3.3/4.83	240
AV-A9225HS10	Sleeve	115	50/60	0.12/0.1	14/13.5	2500/2900	32/37	0.85/1.05	30/37	3.3/4.83	240
AV-A9225MB10	Ball	115	50/60	0.09/0.08	11/10	2300/2600	25/33	0.71/0.85	25/30	3.0/3.5	240
AV-A9225MS10	Sleeve	115	50/60	0.09/0.08	11/10	2300/2600	25/33	0.71/0.85	25/30	3.0/3.5	240
AV-A9225LB10	Ball	115	50/60	0.07/0.07	9/8	2000/2200	22/24	0.6/0.62	21/22	2.7/2.6	240
AV-A9225LS10	Sleeve	115	50/60	0.07/0.07	9/8	2000/2200	22/24	0.6/0.62	21/22	2.7/2.6	240
AV-A9225HB20	Ball	220-240	50/60	0.08/0.07	16/15	2500/2900	32/37	0.85/1.05	30/37	3.3/4.83	240
AV-A9225HS20	Sleeve	220-240	50/60	0.08/0.07	16/15	2500/2900	32/37	0.85/1.05	30/37	3.3/4.83	240
AV-A9225MB20	Ball	220-240	50/60	0.07/0.06	13/12	2300/2600	25/33	0.71/0.85	25/30	3.0/3.5	240
AV-A9225MS20	Sleeve	220-240	50/60	0.07/0.06	13/12	2300/2600	25/33	0.71/0.85	25/30	3.0/3.5	240
AV-A9225LB20	Ball	220-240	50/60	0.05/0.05	9/8	2000/2200	22/24	0.6/0.62	21/22	2.7/2.6	240
AV-A9225LS20	Sleeve	220-240	50/60	0.05/0.05	9/8	2000/2200	22/24	0.6/0.62	21/22	2.7/2.6	240
AV-A9225HB30	Ball	380	50	0.07	14	2500	32	0.85	30	3.3	240
AV-A9225HS30	Sleeve	380	50	0.07	14	2500	32	0.85	30	3.3	240



Units: mm



Company Profile:

RxSOLUTIONS TECHNOLOGY Co., Ltd. has been a professional manufacturer of fan products for 14 Years. This is a high-technology enterprise dedicated to the innovation and development of new cooling and fan control applications. We manufacture both enclosure/equipment axial fans, centrifugal blowers and mini-USB consumer fans.

USE OUR WEBSITE *CONTACT FORM* TO DISCUSS
DESIGN RECOMMENDATIONS AND PRICING
FOR YOUR PARTICULAR APPLICATION



Contact information:

Website: <http://www.rxstechnology.com>
Office telephone: +86 769 8800 7627
Cell/mobile: +86 136 0968 9281
Email: EmilyZhang@rxstechnology.com
Skype: Emily_Zhang668
WeChat: emilyzhang9420
QQ: 895071090

Address:
#513C ChunFeng Ming
Yuan XianXi Mingen East Street
Changan Town, Dongguan
Guangdong Province,
China

ALL AC AXIAL ENCLOSURE FANS 2020-8

www.rxstechnology.com