



RxSOLUTIONS TECHNOLOGY Co Ltd

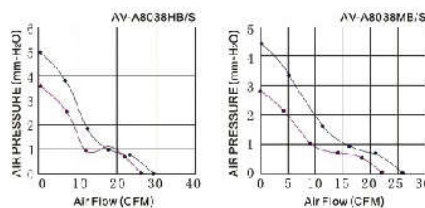
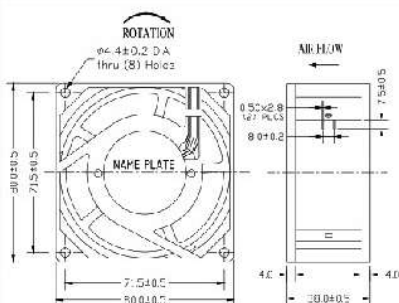
AC AXIAL FAN 80X38MM



AC FAN TYPE AV-A8038

SIZE: 80x38mm
 CONSTRUCTION:
 Black die-cast aluminum housing
 Glass fiber reinforced thermoplastic impeller UL94V-0
 MOTOR:
 Shaded pole, Impedance protected
 CONNECTION:
 Wire or terminal
 OPERATING TEMPERATURE:
 Ball bearing -30 to +75, sleeve bearing -10C to +70C
 INSULATION RESISTANCE:
 >10 megohm at 500VDC, (frame-terminal/wires)
 DIELECTRIC STRENGTH:
 500V/60HZ, 5mA, 1 minute, (frame-terminal/wires)

MODEL	BEARING TYPE	RATED VOLTAGE (VAC)	FREQUENCY (HZ)	CURRENT (A)	POWER (W)	SPEED (RPM)	NOISE LEVEL (dBA)	AIR FLOW (M2/M)	AIR FLOW (CFM)	STATIC PRESSURE (mmH2O)	WEIGHT (g)
AV-A8038HB10	Ball	115	50/60	0.15/0.13	16/14	2400/2900	31/35	0.68/0.88	24/31	3.3/4.83	340
AV-A8038HS10	Sleeve	115	50/60	0.15/0.13	16/14	2400/2900	31/35	0.68/0.88	24/31	3.3/4.83	340
AV-A8038MB10	Ball	115	50/60	0.13/0.11	14/12	2200/2400	27/31	0.62/0.65	22/23	3.1/3.6	340
AV-A8038MS10	Sleeve	115	50/60	0.13/0.11	14/12	2200/2400	27/31	0.62/0.65	22/23	3.1/3.6	340
AV-A8038LB10	Ball	115	50/60	0.1/0.09	10/9	1800/1600	19/17	0.51/0.48	18/17	2.9/2.7	340
AV-A8038LS10	Sleeve	115	50/60	0.1/0.09	10/9	1800/1600	19/17	0.51/0.48	18/17	2.9/2.7	340
AV-A8038HB20	Ball	220-240	50/60	0.11/0.1	18/16	2400/2900	31/35	0.68/0.88	24/31	3.3/4.83	340
AV-A8038HS20	Sleeve	220-240	50/60	0.11/0.1	18/16	2400/2900	31/35	0.68/0.88	24/31	3.3/4.83	340
AV-A8038MB20	Ball	220-240	50/60	0.09/0.08	14/12	2200/2400	27/31	0.62/0.65	22/23	3.1/3.6	340
AV-A8038MS20	Sleeve	220-240	50/60	0.09/0.08	14/12	2200/2400	27/31	0.62/0.65	22/23	3.1/3.6	340
AV-A8038LB20	Ball	220-240	50/60	0.08/0.07	10/9	1800/1600	19/17	0.51/0.48	18/17	2.9/2.7	340
AV-A8038LS20	Sleeve	220-240	50/60	0.08/0.07	10/9	1800/1600	19/17	0.51/0.48	18/17	2.9/2.7	340
AV-A8038HB30	Ball	380	50	0.09	18	2400	31	0.68	24	3.3	340
AV-A8038HS30	Sleeve	380	50	0.09	18	2400	31	0.68	24	3.3	340





Company Profile:

RxSOLUTIONS TECHNOLOGY Co., Ltd. has been a professional manufacturer of fan products for 14 Years. This is a high-technology enterprise dedicated to the innovation and development of new cooling and fan control applications. We manufacture both enclosure/equipment axial fans, centrifugal blowers and mini-USB consumer fans.

USE OUR WEBSITE *CONTACT FORM* TO DISCUSS
DESIGN RECOMMENDATIONS AND PRICING
FOR YOUR PARTICULAR APPLICATION



Contact information:

Website: <http://www.rxstechnology.com>
Office telephone: +86 769 8800 7627
Cell/mobile: +86 136 0968 9281
Email: EmilyZhang@rxstechnology.com
Skype: Emily_Zhang668
WeChat: emilyzhang9420
QQ: 895071090

Address:
#513C ChunFeng Ming
Yuan XianXi Mingen East Street
Changan Town, Dongguan
Guangdong Province,
China

ALL AC AXIAL ENCLOSURE FANS 2020-8

www.rxstechnology.com