



RxSOLUTIONS TECHNOLOGY Co Ltd

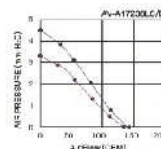
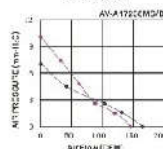
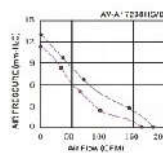
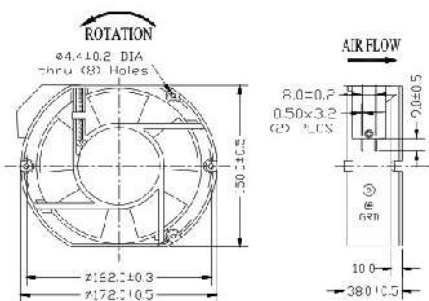
AC AXIAL FAN 172X38MM



AC FAN TYPE AV-A17238

SIZE: 172x38mm
 CONSTRUCTION:
 Black die-cast aluminum housing
 Glass fiber reinforced thermoplastic impeller UL94V-0
 MOTOR:
 Shaded pole, Impedance protected
 CONNECTION:
 Wire or terminal
 OPERATING TEMPERATURE:
 Ball bearing -30 to +75, sleeve bearing -10C to +70C
 INSULATION RESISTANCE:
 >10 megohm at 500VDC, (frame-terminal/wires)
 DIELECTRIC STRENGTH:
 500V/60HZ, 5mA, 1 minute, (frame-terminal/wires)

MODEL	BEARING TYPE	RATED VOLTAGE (VAC)	FREQUENCY (HZ)	CURRENT (A)	POWER (W)	SPEED (RPM)	NOISE LEVEL (dBA)	AIR FLOW (M2/M)	AIR FLOW (CFM)	STATIC PRESSURE (mmH2O)	WEIGHT (g)
AV-A17238HB10	Ball	115	50/60	0.50/0.45	37/36	2700/3100	45/50	5.37/6.65	190/235	16.0/17.78	908
AV-A17238HS10	Sleeve	115	50/60	0.50/0.45	37/36	2700/3100	45/50	5.37/6.65	190/235	16.0/17.78	908
AV-A17238MB10	Ball	115	50/60	0.41/0.39	32/30	2400/2300	41/40	4.0/4.5	170/160	15/14	908
AV-A17238MS10	Sleeve	115	50/60	0.41/0.39	32/30	2400/2300	41/40	4.0/4.5	170/160	15/14	908
AV-A17238LB10	Ball	115	50/60	0.35/0.35	26/25	1900/1500	32/30	3.5/3.0	125/105	8/6	908
AV-A17238LS10	Sleeve	115	50/60	0.35/0.35	26/25	1900/1500	32/30	3.5/3.0	125/105	8/6	908
AV-A17238HB20	Ball	220-240	50/60	0.22/0.21	34/33	2700/3100	45/50	5.37/6.65	190/235	16.0/17.78	908
AV-A17238HS20	Sleeve	220-240	50/60	0.22/0.21	34/33	2700/3100	45/50	5.37/6.65	190/235	16.0/17.78	908
AV-A17238MB20	Ball	220-240	50/60	0.19/0.18	30/28	2400/2300	41/40	4.0/4.5	170/160	15/14	908
AV-A17238MS20	Sleeve	220-240	50/60	0.19/0.18	30/28	2400/2300	41/40	4.0/4.5	170/160	15/14	908
AV-A17238LB20	Ball	220-240	50/60	0.16/0.16	26/25	1900/1500	32/30	3.5/3.0	125/105	8/6	908
AV-A17238LS20	Sleeve	220-240	50/60	0.16/0.16	26/25	1900/1500	32/30	3.5/3.0	125/105	8/6	908
AV-A17238HB30	Ball	380	50	0.11	34	2700	45	5.37	190	15	908
AV-A17238HS30	Sleeve	380	50	0.11	34	2700	45	5.37	190	15	908



Units: mm



Company Profile:

RxSOLUTIONS TECHNOLOGY Co., Ltd. has been a professional manufacturer of fan products for 14 Years. This is a high-technology enterprise dedicated to the innovation and development of new cooling and fan control applications. We manufacture both enclosure/equipment axial fans, centrifugal blowers and mini-USB consumer fans.

USE OUR WEBSITE *CONTACT FORM* TO DISCUSS
DESIGN RECOMMENDATIONS AND PRICING
FOR YOUR PARTICULAR APPLICATION



Contact information:

Website: <http://www.rxstechnology.com>
Office telephone: +86 769 8800 7627
Cell/mobile: +86 136 0968 9281
Email: EmilyZhang@rxstechnology.com
Skype: Emily_Zhang668
WeChat: emilyzhang9420
QQ: 895071090

Address:
#513C ChunFeng Ming
Yuan XianXi Mingen East Street
Changan Town, Dongguan
Guangdong Province,
China

ALL AC AXIAL ENCLOSURE FANS 2020-8

www.rxstechnology.com