



RxSOLUTIONS TECHNOLOGY Co Ltd

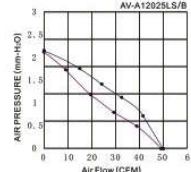
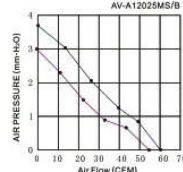
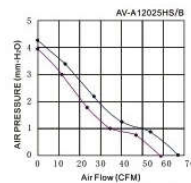
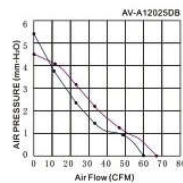
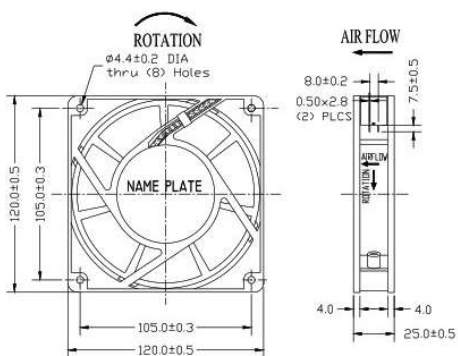
AC AXIAL FAN 120X25MM



AC FAN TYPE AV-A12025

SIZE: 120x25mm
 CONSTRUCTION:
 Black die-cast aluminum housing
 Glass fiber reinforced thermoplastic impeller UL94V-0
 MOTOR:
 Shaded pole, Impedance protected
 CONNECTION:
 Wire or terminal
 OPERATING TEMPERATURE:
 Ball bearing -30 to +75, sleeve bearing -10C to +70C
 INSULATION RESISTANCE:
 >10 megohm at 500VDC, (frame-terminal/wires)
 DIELECTRIC STRENGTH:
 500V/60HZ, 5mA, 1 minute, (frame-terminal/wires)

| MODEL | BEARING TYPE | RATED VOLTAGE (VAC) | FREQUENCY (HZ) | CURRENT (A) | POWER (W) | SPEED (RPM) | NOISE LEVEL (dBA) | AIR FLOW M2/M | AIR FLOW (CFM) | STATIC PRESSURE (mmH2O) | WEIGHT (g) |
|---------------|--------------|---------------------|----------------|-------------|-----------|-------------|-------------------|---------------|----------------|-------------------------|------------|
| AV-A12025HB10 | Ball | 115 | 50/60 | 0.19/0.18 | 19/18 | 2200/2400 | 38/40 | 1.87/2.21 | 66/78 | 3.56/4.06 | 370 |
| AV-A12025HS10 | Sleeve | 115 | 50/60 | 0.19/0.18 | 19/18 | 2200/2400 | 38/40 | 1.87/2.21 | 66/78 | 3.56/4.06 | 370 |
| AV-A12025MB10 | Ball | 115 | 50/60 | 0.16/0.15 | 16/15 | 2000/2000 | 35/35 | 1.64/1.64 | 58/58 | 3.0/3.2 | 370 |
| AV-A12025MS10 | Sleeve | 115 | 50/60 | 0.16/0.15 | 16/15 | 2000/2000 | 35/35 | 1.64/1.64 | 58/58 | 3.0/3.2 | 370 |
| AV-A12025LB10 | Ball | 115 | 50/60 | 0.13/0.11 | 14/13 | 1800/1700 | 30/29 | 1.4/1.36 | 50/48 | 2.78/2.68 | 370 |
| AV-A12025LS10 | Sleeve | 115 | 50/60 | 0.13/0.11 | 14/13 | 1800/1700 | 30/29 | 1.4/1.36 | 50/48 | 2.78/2.68 | 370 |
| AV-A12025HB20 | Ball | 220-240 | 50/60 | 0.09/0.09 | 19/18 | 2200/2400 | 38/40 | 1.87/2.21 | 66/78 | 3.56/4.06 | 370 |
| AV-A12025HS20 | Sleeve | 220-240 | 50/60 | 0.09/0.09 | 19/18 | 2200/2400 | 38/40 | 1.87/2.21 | 66/78 | 3.56/4.06 | 370 |
| AV-A12025MB20 | Ball | 220-240 | 50/60 | 0.07/0.07 | 16/15 | 2000/2000 | 35/35 | 1.64/1.64 | 58/58 | 3.0/3.2 | 370 |
| AV-A12025MS20 | Sleeve | 220-240 | 50/60 | 0.07/0.07 | 16/15 | 2000/2000 | 35/35 | 1.64/1.64 | 58/58 | 3.0/3.2 | 370 |
| AV-A12025LB20 | Ball | 220-240 | 50/60 | 0.05/0.05 | 14/13 | 1800/1700 | 30/29 | 1.4/1.36 | 50/48 | 2.78/2.68 | 370 |
| AV-A12025LS20 | Sleeve | 220-240 | 50/60 | 0.05/0.05 | 14/13 | 1800/1700 | 30/29 | 1.4/1.36 | 50/48 | 2.78/2.68 | 370 |
| AV-A12025HB30 | Ball | 380 | 50 | 0.06 | 14 | 2200 | 38 | 1.87 | 66 | 3.56 | 370 |
| AV-A12025HS30 | Sleeve | 380 | 50 | 0.06 | 14 | 2200 | 38 | 1.87 | 66 | 3.56 | 370 |



Key
 — 60Hz
 — 50Hz

Units: mm



Company Profile:

RxSOLUTIONS TECHNOLOGY Co., Ltd. has been a professional manufacturer of fan products for 14 Years. This is a high-technology enterprise dedicated to the innovation and development of new cooling and fan control applications. We manufacture both enclosure/equipment axial fans, centrifugal blowers and mini-USB consumer fans.

USE OUR WEBSITE *CONTACT FORM* TO DISCUSS
DESIGN RECOMMENDATIONS AND PRICING
FOR YOUR PARTICULAR APPLICATION



Contact information:

Website: <http://www.rxstechnology.com>
Office telephone: +86 769 8800 7627
Cell/mobile: +86 136 0968 9281
Email: EmilyZhang@rxstechnology.com
Skype: Emily_Zhang668
WeChat: emilyzhang9420
QQ: 895071090

Address:
#513C ChunFeng Ming
Yuan XianXi Mingen East Street
Changan Town, Dongguan
Guangdong Province,
China

ALL AC AXIAL ENCLOSURE FANS 2020-8

www.rxstechnology.com