



RxSOLUTIONS TECHNOLOGY Co Ltd

ALL-FANS CATALOG

Index by type and part number:

DC AXIAL FAN AV-F2507 (25X07MM)	P3
DC AXIAL FAN AV-F2510 (25X10MM)	P4
DC AXIAL FAN AV-F3006 (30X06MM)	P5
DC AXIAL FAN AV-F3007 (30X07MM)	P6
DC AXIAL FAN AV-F3010 (30X10MM)	P7
DC AXIAL FAN AV-F3015 (30X15MM)	P45
DC AXIAL FAN AV-F3510 (35X10MM)	P8
DC AXIAL FAN AV-F4007 (40X07MM)	P9
DC AXIAL FAN AV-F4010 (40X10MM)	P10
DC AXIAL FAN AV-F4015 (40X15MM)	P11
DC AXIAL FAN AV-F4020 (40X20MM)	P12
DC AXIAL FAN AV-F4028 (40X28MM)	P13
DC AXIAL FAN AV-F5010 (50X10MM)	P14
DC AXIAL FAN AV-F5015 (50X15MM)	P16
DC AXIAL FAN AV-F5020 (50X20MM)	P17
DC AXIAL FAN AV-F6010 (60X10MM)	P18
DC AXIAL FAN AV-F6015 (60X15MM)	P19
DC AXIAL FAN AV-F6020 (60X20MM)	P20
DC AXIAL FAN AV-F6025 (60X25MM)	P21
DC AXIAL FAN HI OUTPUT AV-F6025 (60X25MM)	P36
DC AXIAL FAN AV-F7010 (70X10MM)	P22
DC AXIAL FAN AV-F7015 (70X15MM)	P23
DC AXIAL FAN AV-F7025 (70X25MM)	P24
DC AXIAL FAN HI OUTPUT AV-F7025 (70X25MM)	P37
DC AXIAL FAN AV-F8010 (80X10MM)	P25
DC AXIAL FAN AV-F8015 (80X15MM)	P26
DC AXIAL FAN AV-F8020 (80X20MM)	P27
DC AXIAL FAN AV-F8025 (80X25MM)	P28
DC AXIAL FAN HI OUTPUT AV-F8025 (80X25MM)	P38
DC AXIAL FAN AV-F9225 (90X25MM)	P29
DC AXIAL FAN AV-F9238 (90X38MM)	P30
DC AXIAL FAN HI OUTPUT AV-F9225 (92X25MM)	P39
DC AXIAL FAN AV-F12020 (120X20MM)	P31
DC AXIAL FAN AV-F12025 (120X25MM)	P32
DC AXIAL FAN HI OUTPUT AV-F12025 (120X25MM)	P40
DC AXIAL FAN HI OUTPUT AV-F12032 (120X32MM)	P41
DC AXIAL FAN AV-F12038 (120X38MM)	P33



INDEX/CONT

DC AXIAL FAN HI OUTPUT AV-F12038 (120X38MM)	P42
DC AXIAL FAN AV-F14025 (140X25MM)	P34
DC AXIAL FAN HI OUTPUT AV-F15155 (151X55MM)	P43
DC AXIAL FAN HI OUTPUT AV-F17251 (172X51MM)	P44
DC AXIAL FAN AV-F17551 (175X51MM)	P35
DC AXIAL FAN DFH2010 (20X10MM)	P49
DC AXIAL FAN SD09025 (90X25MM)	P48
DC AXIAL FAN ZY-F9846HB (98X46MM)	P50
DC AXIAL FAN ZY-4510 (45X10MM)	P46
DC AXIAL FAN ZY-F8038 (80X38MM)	P47
AC AXIAL FAN AV-A6030 (60X30mm)	P51
AC AXIAL FAN AV-A8025 (80X25mm)	P52
AC AXIAL FAN AV-A8038 (80X38mm)	P53
AC AXIAL FAN AV-A9225 (92X25mm)	P54
AC AXIAL FAN AV-A9238 (92X38mm)	P55
AC AXIAL FAN AV-A12025 (120X25mm)	P56
AC AXIAL FAN AV-A12038(5) (120X38mm)	P57
AC AXIAL FAN AV-A12038(7) (120X38mm)	P58
AC AXIAL FAN AV-A15050 (150X50mm)	P59
AC AXIAL FAN AV-A17238 (172X38mm)	P60
AC AXIAL FAN AV-A17251 (172X51mm)	P61
AC AXIAL FAN AV-A22060 (220X60mm)	P62
AC AXIAL FAN SA11025 (110X25mm)	P63
AC AXIAL FAN SA13538 (135X38mm)	P64
AC AXIAL FAN SA18060 (180X60mm)	P65
AC AXIAL FAN SA25489 (254X89mm)	P66
DC CENTRIFUGAL FAN AV-F4020 (40X20mm)	P67
DC CENTRIFUGAL FAN AV-F5015 (50X15mm)	P68
DC CENTRIFUGAL FAN AV-F6015 (60X15mm)	P69
DC CENTRIFUGAL FAN AV-F7015 (70X15mm)	P70
DC CENTRIFUGAL FAN AV-F7530 (75X30mm)	P71
DC CENTRIFUGAL FAN AV-F9733 (97X33mm)	P72
DC CENTRIFUGAL FAN HI-OUTPUT AV-F9733 (97X73mm)	P74
DC CENTRIFUGAL FAN AV-F12032 (120X32mm)	P73
DC CENTRIFUGAL FAN ZY-3010 (30X10mm)	P75
DC CENTRIFUGAL FAN ZY-4010 (40X10mm)	P76
DC CENTRIFUGAL FAN ZY-4510 (45X10mm)	P77
DC CENTRIFUGAL FAN ZY-6025 (60X25mm)	P78
ACCENT FANS – MULTICOLOR	P79
ACCENT FANS – LED	P80
FAN GUARDS AND FILTERS	P81



RxSOLUTIONS TECHNOLOGY Co Ltd

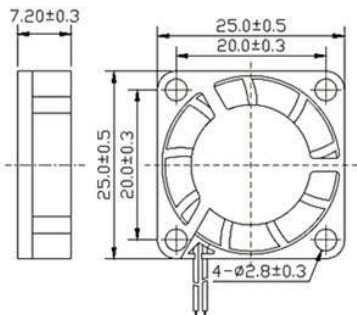
DC AXIAL FAN 25X07MM



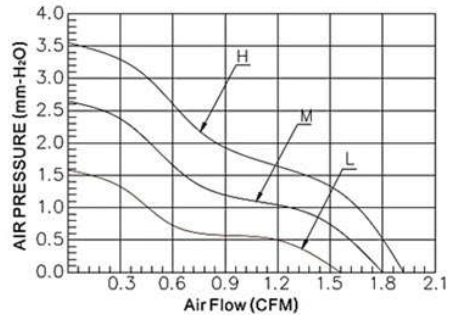
DC axial fan type AV-F2507

SIZE:
 25x25x7mm
 CONSTRUCTION:
 Glass fiber reinforced thermoplastic
 Impeller and housing UL94V-0
 OPERATING TEMPERATURE:
 Sleeve bearing -10C to +70C
 INSULATION RESISTANCE:
 >10 megohm at 500VDC
 (frame-terminal/wires)
 DIELECTRIC STRENGTH:
 500V/60HZ, 5mA, 1 minute
 (frame-terminal/wires)

MODEL	BEARING TYPE	RATED VOLTAGE (DC)	OPERATING VOLTAGE (DC)	CURRENT (A)	SPEED (RPM)	AIR FLOW (CFM)	STATIC PRESSURE (mmH2O)	NOISE LEVEL (dBA)	WEIGHT (g)
AV-F2507HS05	SLEEVE	5	4.5-5.5	0.20	10000	1.92	3.55	22.50	6.1
AV-F2507MS05	SLEEVE	5	4.5-5.5	0.16	9000	1.80	2.64	20.58	6.1
AV-F2507LS05	SLEEVE	5	4.5-5.5	0.12	8000	1.60	1.58	20.18	6.1
AV-F2507HS	SLEEVE	12	10.8-13.2	0.15	10000	1.92	3.55	22.50	6.1
AV-F2507MS	SLEEVE	12	10.8-13.2	0.12	9000	1.80	1.80	20.58	6.1
AV-F2507LS	SLEEVE	12	10.8-13.2	0.09	8000	1.60	1.60	20.18	6.1



Units: mm





RxSOLUTIONS TECHNOLOGY Co Ltd

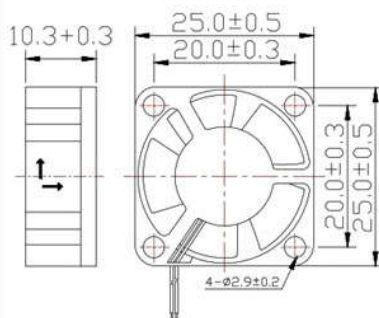
DC AXIAL FAN 25X10MM



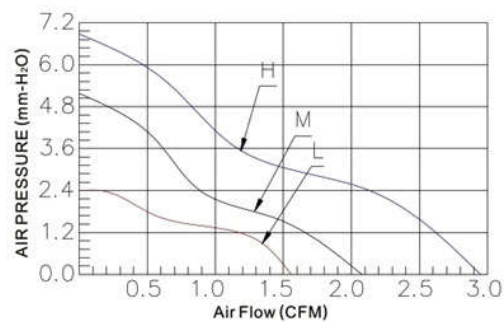
DC AXIAL FAN TYPE AV-F2510

SIZE:
 25x25x10mm
CONSTRUCTION:
 Glass fiber reinforced thermoplastic
 Impeller and housing UL94V-0
OPERATING TEMPERATURE:
 Sleeve bearing -10C to +70C
INSULATION RESISTANCE:
 >10 megohm at 500VDC
 (frame-terminal/wires)
DIELECTRIC STRENGTH:
 500V/60HZ, 5mA, 1 minute
 (frame-terminal/wires)

MODEL	BEARING TYPE	RATED VOLTAGE (DC)	OPERATING VOLTAGE (DC)	CURRENT (A)	SPEED (RPM)	AIR FLOW (CFM)	STATIC PRESSURE (mmH2O)	NOISE LEVEL (dBA)	WEIGHT (g)
AV-F2510HS05	SLEEVE	5	4.5-5.5	0.12	13000	2.9	6.93	30.78	6.1
AV-F2510MS05	SLEEVE	5	4.5-5.5	0.1	8000	2.22	5.01	24.11	6.1
AV-F2510LS05	SLEEVE	5	4.5-5.5	1.08	6000	1.53	2.4	18.97	6.1
AV-F2510HB05	BALL	5	4.5-5.5	0.12	13000	2.9	6.93	30.78	6.1
AV-F2510MB05	BALL	5	4.5-5.5	0.1	8000	2.22	5.01	24.11	6.1
AV-F2510LB05	BALL	5	4.5-5.5	0.08	6000	1.53	2.4	18.97	6.1
AV-F2510HS	SLEEVE	12	10.8-13.2	0.12	13000	2.9	6.93	30.78	6.1
AV-F2510MS	SLEEVE	12	10.8-13.2	0.08	8000	2.22	5.01	24.11	6.1
AV-F2510LS	SLEEVE	12	10.8-13.2	0.06	6000	1.53	2.4	18.97	6.1
AV-F2510HB	BALL	12	10.8-13.2	0.12	13000	2.9	6.93	30.78	6.1
AV-F2510MB	BALL	12	10.8-13.2	0.08	8000	2.22	5.01	24.11	6.1
AV-F2510LB	BALL	12	10.8-13.2	0.06	6000	1.53	2.4	18.97	6.1



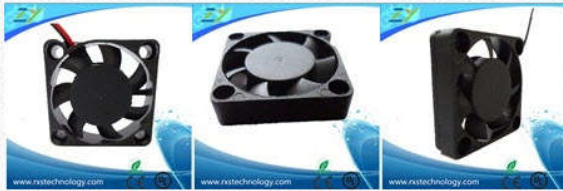
Units: mm





RxSOLUTIONS TECHNOLOGY Co Ltd

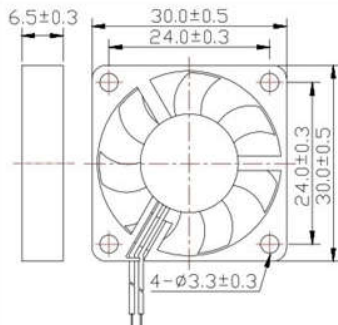
DC AXIAL FAN 30X06MM



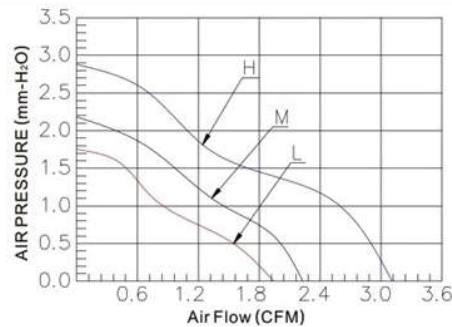
DC AXIAL FAN TYPE AV-F3006

SIZE:
 30x30x6mm
CONSTRUCTION:
 Glass fiber reinforced thermoplastic
 Impeller and housing UL94V-0
OPERATING TEMPERATURE:
 Sleeve bearing -10C to +70C
INSULATION RESISTANCE:
 >10 megohm at 500VDC
 (frame-terminal/wires)
DIELECTRIC STRENGTH:
 500V/60HZ, 5mA, 1 minute
 (frame-terminal/wires)

MODEL	BEARING TYPE	RATED VOLTAGE (DC)	OPERATING VOLTAGE (DC)	CURRENT (A)	SPEED (RPM)	AIR FLOW (CFM)	STATIC PRESSURE (mmH2O)	NOISE LEVEL (dBA)	WEIGHT (g)
AV-F3006HS05	SLEEVE	5	4.5-5.5	0.2	8000	3.09	2.87	25.44	7.6
AV-F3006MS05	SLEEVE	5	4.5-5.5	0.16	6000	2.32	2.15	21.25	7.6
AV-F3006LS05	SLEEVE	5	4.5-5.5	0.12	5000	1.93	1.79	20.11	7.6
AV-F3006HB05	BALL	5	4.5-5.5	0.2	8000	3.09	2.87	25.44	7.6
AV-F3006MB05	BALL	5	4.5-5.5	0.16	6000	2.32	2.15	21.25	7.6
AV-F3006LB05	BALL	5	4.5-5.5	0.12	5000	1.93	1.79	20.11	7.6
AV-F3006HS	SLEEVE	12	10.8-13.2	0.12	8000	3.09	2.87	25.44	7.6
AV-F3006MS	SLEEVE	12	10.8-13.2	0.1	6000	2.32	2.15	21.25	7.6
AV-F3006LS	SLEEVE	12	10.8-13.2	0.08	5000	1.93	1.79	20.11	7.6
AV-F3006HB	BALL	12	10.8-13.2	0.12	8000	3.09	2.87	25.44	7.6
AV-F3006MB	BALL	12	10.8-13.2	0.1	6000	2.32	2.15	21.25	7.6
AV-F3006LB	BALL	12	10.8-13.2	0.08	5000	1.93	1.79	20.11	7.6



Units: mm





RxSOLUTIONS TECHNOLOGY Co Ltd

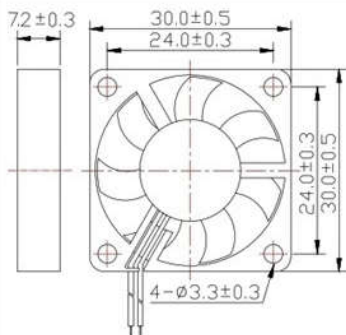
DC AXIAL FAN 30X07MM



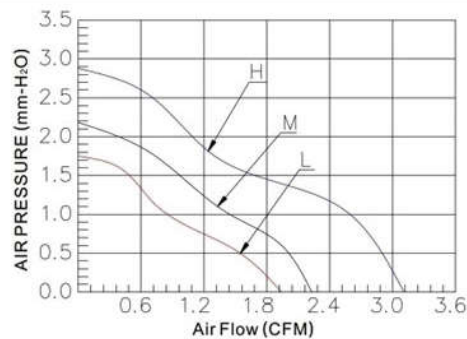
DC AXIAL FAN TYPE AV-F3007

SIZE:
 30x30x7mm
CONSTRUCTION:
 Glass fiber reinforced thermoplastic
 Impeller and housing UL94V-0
OPERATING TEMPERATURE:
 Sleeve bearing -10C to +70C
INSULATION RESISTANCE:
 >10 megohm at 500VDC
 (frame-terminal/wires)
DIELECTRIC STRENGTH:
 500V/60HZ, 5mA, 1 minute
 (frame-terminal/wires)

MODEL	BEARING TYPE	RATED VOLTAGE (DC)	OPERATING VOLTAGE (DC)	CURRENT (A)	SPEED (RPM)	AIR FLOW (CFM)	STATIC PRESSURE (mmH2O)	NOISE LEVEL (dBA)	WEIGHT (g)
AV-F3007HS05	SLEEVE	5	4.5-5.5	0.2	8000	3.09	2.87	25.44	8
AV-F3007MS05	SLEEVE	5	4.5-5.5	0.16	6000	2.32	2.15	21.25	8
AV-F3007LS05	SLEEVE	5	4.5-5.5	0.12	5000	1.93	1.79	20.11	8
AV-F3007HB05	BALL	5	4.5-5.5	0.2	8000	3.09	2.87	25.44	8
AV-F3007MB05	BALL	5	4.5-5.5	0.16	6000	2.32	2.15	21.25	8
AV-F3007LB05	BALL	5	4.5-5.5	0.12	5000	1.93	1.79	20.11	8
AV-F3007HS	SLEEVE	12	10.8-13.2	0.12	8000	3.09	2.87	25.44	8
AV-F3007MS	SLEEVE	12	10.8-13.2	0.1	6000	2.32	2.15	21.25	8
AV-F3007LS	SLEEVE	12	10.8-13.2	0.08	5000	1.93	1.79	20.11	8
AV-F3007HB	BALL	12	10.8-13.2	0.12	8000	3.09	2.87	25.44	8
AV-F3007MB	BALL	12	10.8-13.2	0.1	6000	2.32	2.15	21.25	8
AV-F3007LB	BALL	12	10.8-13.2	0.08	5000	1.93	1.79	20.11	8



Units: mm





RxSOLUTIONS TECHNOLOGY Co Ltd

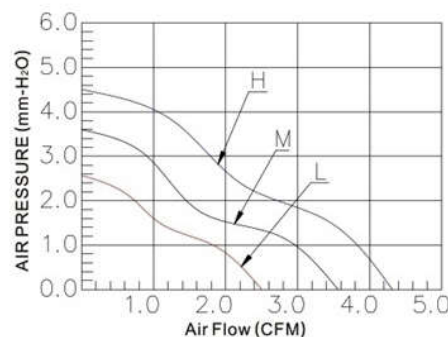
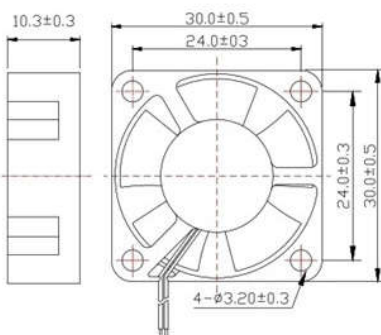
DC AXIAL FAN 30X10MM



DC AXIAL FAN TYPE AV-F3010

SIZE:
 30x30x10mm
CONSTRUCTION:
 Glass fiber reinforced thermoplastic
 Impeller and housing UL94V-0
OPERATING TEMPERATURE:
 Sleeve bearing -10C to +70C
INSULATION RESISTANCE:
 >10 megohm at 500VDC
 (frame-terminal/wires)
DIELECTRIC STRENGTH:
 500V/60HZ, 5mA, 1 minute
 (frame-terminal/wires)

MODEL	BEARING TYPE	RATED VOLTAGE (DC)	OPERATING VOLTAGE (DC)	CURRENT (A)	SPEED (RPM)	AIR FLOW (CFM)	STATIC PRESSURE (mmH2O)	NOISE LEVEL (dBA)	WEIGHT (g)
AV-F3010HS05	SLEEVE	5	4.5-5.5	0.2	9500	4.23	4.47	28.46	8.5
AV-F3010MS05	SLEEVE	5	4.5-5.5	0.16	8000	3.56	3.76	23.23	8.5
AV-F3010LS05	SLEEVE	5	4.5-5.5	0.14	5500	2.45	2.59	20.26	8.5
AV-F3010HB05	BALL	5	4.5-5.5	0.2	9500	4.23	4.47	28.46	8.5
AV-F3010MB05	BALL	5	4.5-5.5	0.16	8000	3.56	3.76	23.23	8.5
AV-F3010LB05	BALL	5	4.5-5.5	0.14	5500	2.45	2.59	20.26	8.5
AV-F3010HS	SLEEVE	12	10.8-13.2	0.12	9500	4.23	4.47	28.46	8.5
AV-F3010MS	SLEEVE	12	10.8-13.2	0.09	8000	3.56	3.76	23.23	8.5
AV-F3010LS	SLEEVE	12	10.8-13.2	0.06	5500	2.45	2.59	20.26	8.5
AV-F3010HB	BALL	12	10.8-13.2	0.12	9500	4.23	4.47	28.46	8.5
AV-F3010MB	BALL	12	10.8-13.2	0.09	8000	3.56	3.76	23.23	8.5
AV-F3010LB	BALL	12	10.8-13.2	0.06	5500	2.45	2.59	20.26	8.5



Units: mm



RxSOLUTIONS TECHNOLOGY Co Ltd

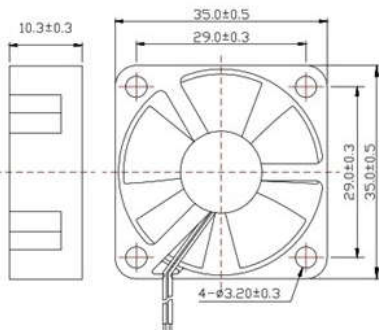
DC AXIAL FAN 35X10MM



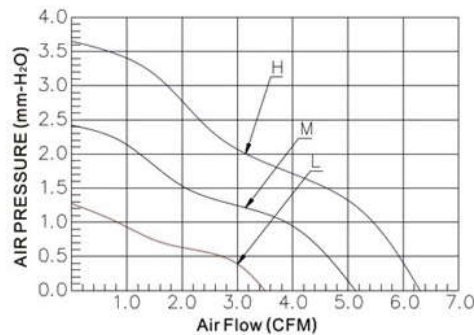
SIZE:
 35x35x10mm
 CONSTRUCTION:
 Glass fiber reinforced thermoplastic
 Impeller and housing UL94V-0
 OPERATING TEMPERATURE:
 Sleeve bearing -10C to +70C
 INSULATION RESISTANCE:
 >10 megohm at 500VDC
 (frame-terminal/wires)
 DIELECTRIC STRENGTH:
 500V/60HZ, 5mA, 1 minute
 (frame-terminal/wires)

DC AXIAL FAN TYPE AV-F3510

MODEL	BEARING TYPE	RATED VOLTAGE (DC)	OPERATING VOLTAGE (DC)	CURRENT (A)	SPEED (RPM)	AIR FLOW (CFM)	STATIC PRESSURE (mmH2O)	NOISE LEVEL (dBA)	WEIGHT (g)
AV-F3510HS05	SLEEVE	5	4.5-5.5	0.23	9000	6.3	3.68	32.37	10
AV-F3510MS05	SLEEVE	5	4.5-5.5	0.22	7000	5.06	2.44	25.88	10
AV-F3510LS05	SLEEVE	5	4.5-5.5	0.13	5000	3.51	1.28	20.26	10
AV-F3510HB05	BALL	5	4.5-5.5	0.23	9000	6.3	3.68	32.37	10
AV-F3510MB05	BALL	5	4.5-5.5	0.22	7000	5.06	2.44	25.88	10
AV-F3510LB05	BALL	5	4.5-5.5	0.13	5000	3.51	1.28	20.26	10
AV-F3510HS	SLEEVE	12	10.8-13.2	0.14	9000	6.3	3.68	32.37	10
AV-F3510MS	SLEEVE	12	10.8-13.2	0.11	7000	5.06	2.44	25.88	10
AV-F3510LS	SLEEVE	12	10.8-13.2	0.08	5000	3.51	1.28	20.26	10
AV-F3510HB	BALL	12	10.8-13.2	0.14	9000	6.3	3.68	32.37	10
AV-F3510MB	BALL	12	10.8-13.2	0.11	7000	5.06	2.44	25.88	10
AV-F3510LB	BALL	12	10.8-13.2	0.08	5000	3.51	1.28	20.26	10



Units: mm





RxSOLUTIONS TECHNOLOGY Co Ltd

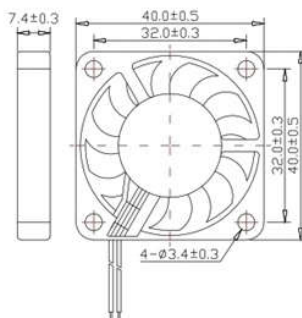
DC AXIAL FAN 40X7MM



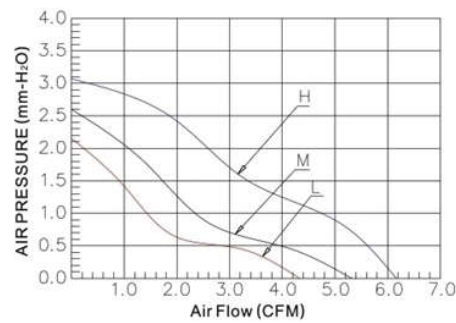
DC axial fan type AV-F4007

SIZE:
 40x40x7mm
 CONSTRUCTION:
 Glass fiber reinforced thermoplastic
 Impeller and housing UL94V-0
 OPERATING TEMPERATURE:
 Sleeve bearing -10C to +70C
 INSULATION RESISTANCE:
 >10 megohm at 500VDC
 (frame-terminal/wires)
 DIELECTRIC STRENGTH:
 500V/60HZ, 5mA, 1 minute
 (frame-terminal/wires)

MODEL	BEARING TYPE	RATED VOLTAGE (DC)	OPERATING VOLTAGE (DC)	CURRENT (A)	SPEED (RPM)	AIR FLOW (CFM)	STATIC PRESSURE (mmH2O)	NOISE LEVEL (dBA)	WEIGHT (g)
AV-F4007HS05	SLEEVE	5	4.5-5.5	0.26	7000	6.07	3.03	31.59	10.5
AV-F4007MS05	SLEEVE	5	4.5-5.5	0.2	6000	5.21	2.6	27.08	10.5
AV-F4007LS05	SLEEVE	5	4.5-5.5	0.12	5000	4.3	2.17	22.57	10.5
AV-F4007HS	SLEEVE	12	10.8-13.2	0.13	7000	6.07	3.03	31.59	10.5
AV-F4007MS	SLEEVE	12	10.8-13.2	0.1	6000	5.21	2.6	27.08	10.5
AV-F4007LS	SLEEVE	12	10.8-13.2	0.07	5000	4.3	2.17	22.57	10.5



Units: mm





RxSOLUTIONS TECHNOLOGY Co Ltd

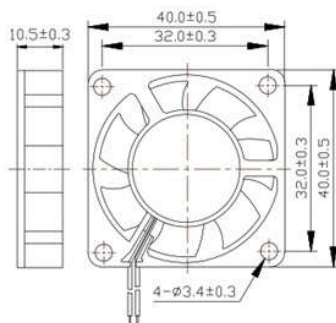
DC AXIAL FAN 40X10MM



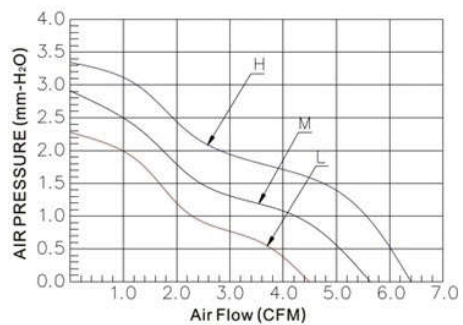
DC axial fan type AV-F4010

SIZE:
 40x40x10mm
 CONSTRUCTION:
 Glass fiber reinforced thermoplastic
 Impeller and housing UL94V-0
 OPERATING TEMPERATURE:
 Sleeve bearing -10C to +70C
 INSULATION RESISTANCE:
 >10 megohm at 500VDC
 (frame-terminal/wires)
 DIELECTRIC STRENGTH:
 500V/60HZ, 5mA, 1 minute
 (frame-terminal/wires)

MODEL	BEARING TYPE	RATED VOLTAGE (DC)	OPERATING VOLTAGE (DC)	CURRENT (A)	SPEED (RPM)	AIR FLOW (CFM)	STATIC PRESSURE (mmH2O)	NOISE LEVEL (dBA)	WEIGHT (g)
AV-F4010HS05	SLEEVE	5	4.5-5.5	0.24	6000	6.4	3.31	26.26	12.2
AV-F4010MS05	SLEEVE	5	4.5-5.5	0.08	5400	5.62	2.91	24.87	12.2
AV-F4010LS05	SLEEVE	5	4.5-5.5	0.12	4200	4.48	2.32	21.13	12.2
AV-F4010HB05	BALL	5	4.5-5.5	0.24	6000	6.4	3.31	26.26	12.2
AV-F4010MB05	BALL	5	4.5-5.5	0.18	5400	5.62	2.91	24.87	12.2
AV-F4010LB05	BALL	5	4.5-5.5	0.12	4200	4.48	2.32	21.13	12.2
AV-F4010HS	SLEEVE	12	10.8-13.2	0.1	6000	6.4	3.31	26.26	12.2
AV-F4010MS	SLEEVE	12	10.8-13.2	0.08	5400	5.62	2.91	24.87	12.2
AV-F4010LS	SLEEVE	12	10.8-13.2	0.06	4200	4.48	2.32	21.13	12.2
AV-F4010HB	BALL	12	10.8-13.2	0.1	6000	6.4	3.31	26.26	12.2
AV-F4010MB	BALL	12	10.8-13.2	0.08	5400	5.62	2.91	24.87	12.2
AV-F4010LB	BALL	12	10.8-13.2	0.06	4200	4.48	2.32	21.13	12.2



Units: mm





RxSOLUTIONS TECHNOLOGY Co Ltd

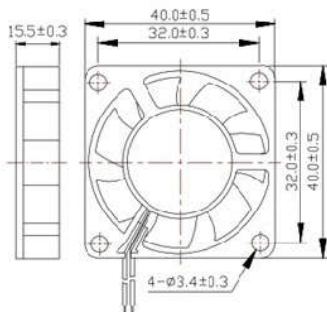
DC AXIAL FAN 40X15



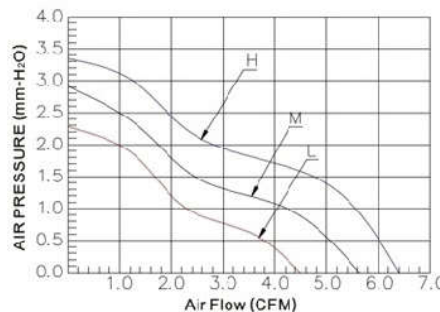
SIZE:
 40x40x15mm
 CONSTRUCTION:
 Glass fiber reinforced thermoplastic
 Impeller and housing UL94V-0
 OPERATING TEMPERATURE:
 Sleeve bearing -10C to +70C
 INSULATION RESISTANCE:
 >10 megohm at 500VDC
 (frame-terminal/wires)
 DIELECTRIC STRENGTH:
 500V/60HZ, 5mA, 1 minute
 (frame-terminal/wires)

DC AXIAL FAN TYPE AV-F4015

MODEL	BEARING TYPE	RATED VOLTAGE (DC)	OPERATING VOLTAGE (DC)	CURRENT (A)	SPEED (RPM)	AIR FLOW (CFM)	STATIC PRESSURE (mmH2O)	NOISE LEVEL (dBA)	WEIGHT (g)
AV-F4015HS05	SLEEVE	5	4.5-5.5	0.24	6000	6.4	3.31	26.26	21.9
AV-F4015MS05	SLEEVE	5	4.5-5.5	0.18	5400	5.62	2.91	24.87	21.9
AV-F4015LS05	SLEEVE	5	4.5-5.5	0.12	4200	4.48	2.32	21.13	21.9
AV-F4015HB05	BALL	5	4.5-5.5	0.24	6000	6.4	3.31	26.26	21.9
AV-F4015MB05	BALL	5	4.5-5.5	0.18	5400	5.62	2.91	24.87	21.9
AV-F4015LB05	BALL	5	4.5-5.5	0.12	4200	4.48	2.32	21.13	21.9
AV-F4015HS	SLEEVE	12	10.8-13.2	0.1	6000	6.4	3.31	26.26	21.9
AV-F4015MS	SLEEVE	12	10.8-13.2	0.08	5400	5.62	2.91	24.87	21.9
AV-F4015LS	SLEEVE	12	10.8-13.2	0.06	4200	4.48	2.32	21.13	21.9
AV-F4015HB	BALL	12	10.8-13.2	0.1	6000	6.4	3.31	26.26	21.9
AV-F4015MB	BALL	12	10.8-13.2	0.08	5400	5.62	2.91	24.87	21.9
AV-F4015LB	BALL	12	10.8-13.2	0.06	4200	4.48	2.32	21.13	21.9



Units: mm





RxSOLUTIONS TECHNOLOGY Co Ltd

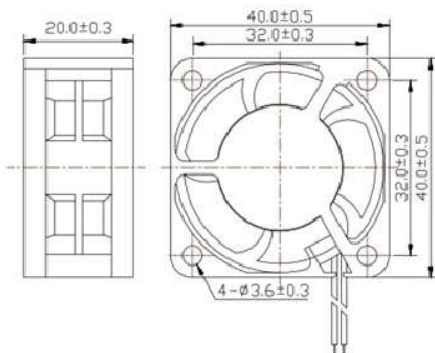
DC AXIAL FAN 40X20MM



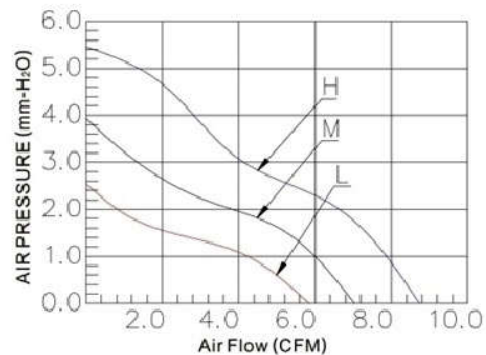
DC axial fan type AV-F4020

SIZE:
 40x40x20mm
 CONSTRUCTION:
 Glass fiber reinforced thermoplastic
 Impeller and housing UL94V-0
 OPERATING TEMPERATURE:
 Sleeve bearing -10C to +70C
 INSULATION RESISTANCE:
 >10 megohm at 500VDC
 (frame-terminal/wires)
 DIELECTRIC STRENGTH:
 500V/60HZ, 5mA, 1 minute
 (frame-terminal/wires)

MODEL	BEARING TYPE	RATED VOLTAGE (DC)	OPERATING VOLTAGE (DC)	CURRENT (A)	SPEED (RPM)	AIR FLOW (CFM)	STATIC PRESSURE (mmH2O)	NOISE LEVEL (dBA)	WEIGHT (g)
AV-F4020HS05	AV-F2510HS05	5	4.5-5.5	0.26	7500	8.6	5.58	33.6	21.88
AV-F4020MS05	AV-F2510MS05	5	4.5-5.5	0.2	6200	7.1	3.98	29.07	21.88
AV-F4020LS05	AV-F2510LS05	5	4.5-5.5	0.14	5000	5.7	2.54	23.46	21.88
AV-F4020HB05	AV-F2510HB05	5	4.5-5.5	0.26	7500	8.6	5.58	33.6	21.88
AV-F4020MB05	AV-F2510MB05	5	4.5-5.5	0.2	7500	7.1	3.98	29.07	21.88
AV-F4020LB05	AV-F2510LB05	5	4.5-5.5	0.14	6200	5.7	2.54	23.46	21.88
AV-F4020HS	AV-F2510HS	12	10.8-13.2	0.15	5000	8.6	5.58	33.6	21.88
AV-F4020MS	AV-F2510MS	12	10.8-13.2	0.11	7500	7.1	3.98	29.07	21.88
AV-F4020LS	AV-F2510LS	12	10.8-13.2	0.07	7500	5.7	2.54	23.46	21.88
AV-F4020HB	AV-F2510HB	12	10.8-13.2	0.15	6200	8.6	5.58	33.6	21.88
AV-F4020MB	AV-F2510MB	12	10.8-13.2	0.11	5000	7.1	3.98	29.07	21.88
AV-F4020LB	AV-F2510LB	12	10.8-13.2	0.07	7500	5.7	2.54	23.46	21.88



Units: mm





RxSOLUTIONS TECHNOLOGY Co Ltd

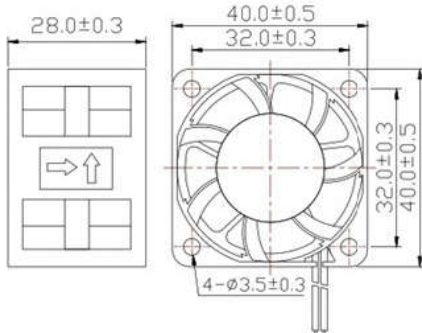
DC AXIAL FAN 40X28



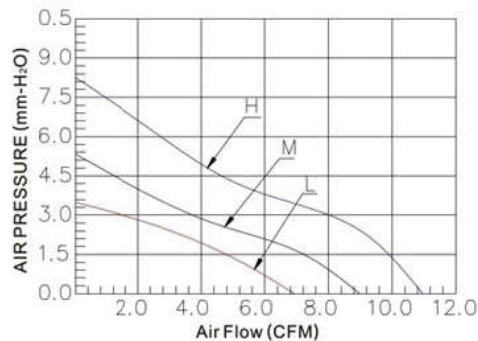
DC AXIAL FAN TYPE AV-F4028

SIZE:
 40x40x28mm
 CONSTRUCTION:
 Glass fiber reinforced thermoplastic
 Impeller and housing UL94V-0
 OPERATING TEMPERATURE:
 Sleeve bearing -10C to +70C
 INSULATION RESISTANCE:
 >10 megohm at 500VDC
 (frame-terminal/wires)
 DIELECTRIC STRENGTH:
 500V/60HZ, 5mA, 1 minute
 (frame-terminal/wires)

MODEL	BEARING TYPE	RATED VOLTAGE (DC)	OPERATING VOLTAGE (DC)	CURRENT (A)	SPEED (RPM)	AIR FLOW (CFM)	STATIC PRESSURE (mmH2O)	NOISE LEVEL (dBA)	WEIGHT (g)
AV-F4028HS	SLEEVE	12	10.8-13.2	0.18	8000	10.27	8.37	38.76	25
AV-F4028MS	SLEEVE	12	10.8-13.2	0.15	6500	8.45	5.7	32.57	25
AV-F4028LS	SLEEVE	12	10.8-13.2	0.12	5000	6.42	3.27	25.37	25
AV-F4028HB	BALL	12	10.8-13.2	0.18	8000	10.27	8.37	38.76	25
AV-F4028MB	BALL	12	10.8-13.2	0.15	6500	8.45	5.7	32.57	25
AV-F4028LB	BALL	12	10.8-13.2	0.12	5000	6.42	3.27	25.37	25
AV-F4028HS24	SLEEVE	24	21.6-26.4	0.13	8000	10.27	8.37	38.76	25
AV-F4028MS24	SLEEVE	24	21.6-26.4	0.08	6500	8.45	5.7	32.57	25
AV-F4028LS24	SLEEVE	24	21.6-26.4	0.05	5000	6.42	3.27	25.37	25
AV-F4028HB24	BALL	24	21.6-26.4	0.13	8000	10.27	8.37	38.76	25
AV-F4028MB24	BALL	24	21.6-26.4	0.08	6500	8.45	5.7	32.57	25
AV-F4028LB24	BALL	24	21.6-26.4	0.05	5000	6.42	3.27	25.37	25



Units: mm





RxSOLUTIONS TECHNOLOGY Co Ltd

DC AXIAL FAN 50X10



DC AXIAL FAN TYPE AV-F5010 (2 BODY STYLES)

SIZE:

50x50x10mm

CONSTRUCTION:

Glass fiber reinforced thermoplastic

Impeller and housing UL94V-0

OPERATING TEMPERATURE:

Sleeve bearing -10C to +70C

INSULATION RESISTANCE:

>10 megohm at 500VDC

(frame-terminal/wires)

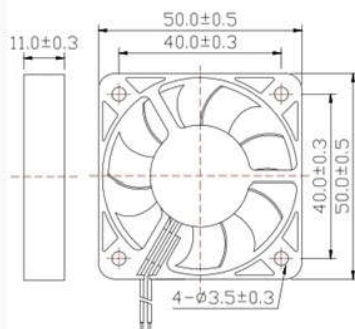
DIELECTRIC STRENGTH:

500V/60HZ, 5mA, 1 minute

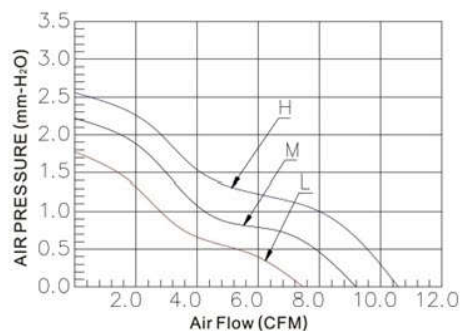
(frame-terminal/wires)

STANDARD BODY

MODEL	BEARING TYPE	RATED VOLTAGE (DC)	OPERATING VOLTAGE (DC)	CURRENT (A)	SPEED (RPM)	AIR FLOW (CFM)	STATIC PRESSURE (mmH ₂ O)	NOISE LEVEL (dBA)	WEIGHT (g)
AV-F5010HS05	SLEEVE	5	4.5-5.5	0.25	5000	10.43	2.25	28.44	20
AV-F5010MS05	SLEEVE	5	4.5-5.5	0.2	4500	9.42	2.27	26.09	20
AV-F5010LS05	SLEEVE	5	4.5-5.5	0.15	3500	7.3	1.77	20.82	20
AV-F5010HB05	BALL	5	4.5-5.5	0.25	5000	10.43	2.25	28.44	20
AV-F5010MB05	BALL	5	4.5-5.5	0.2	4500	9.42	2.27	26.09	20
AV-F5010LB05	BALL	5	4.5-5.5	0.15	3500	7.3	1.77	20.82	20
AV-F5010HS	SLEEVE	12	10.8-13.2	0.16	5000	10.43	2.25	28.44	20
AV-F5010MS	SLEEVE	12	10.8-13.2	0.12	4500	9.42	2.27	26.09	20
AV-F5010LS	SLEEVE	12	10.8-13.2	0.08	3500	7.3	1.77	20.82	20
AV-F5010HB	BALL	12	10.8-13.2	0.16	5000	10.43	2.25	28.44	20
AV-F5010MB	BALL	12	10.8-13.2	0.12	4500	9.42	2.27	26.09	20
AV-F5010LB	BALL	12	10.8-13.2	0.08	3500	7.3	1.77	20.82	20



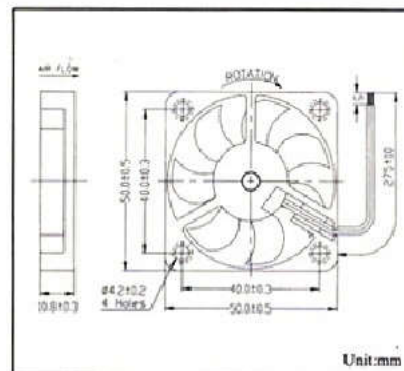
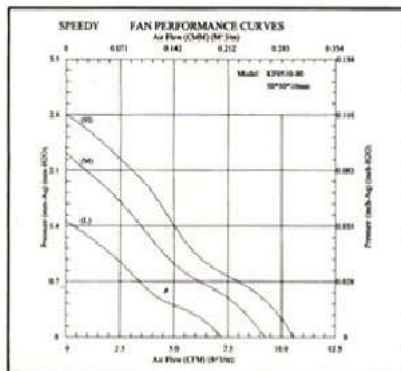
Units: mm





ROUND BODY STYLE

MODEL	BEARING TYPE	RATED VOLTAGE (DC)	OPERATING VOLTAGE (DC)	CURRENT (A)	SPEED (RPM)	AIR FLOW (CFM)	STATIC PRESSURE (inH ₂ O)	NOISE LEVEL (dBA)	WEIGHT (g)
AV-F5010C5H	DUAL BALL	5	4.5-5.5	0.14	5300	10.56	0.112	30.8	20
AV-F5010C5M	DUAL BALL	5	4.5-5.5	0.12	4500	9.27	0.092	26.6	20
AV-F5010C5L	DUAL BALL	5	4.5-5.5	0.08	3500	7.18	0.058	21.9	20
AV-F5010B5H	BALL & SLEEVE	5	4.5-5.5	0.14	5300	10.56	0.112	30.8	20
AV-F5010B5M	BALL & SLEEVE	5	4.5-5.5	0.12	4500	9.27	0.092	26.6	20
AV-F5010LS5H	SLEEVE	5	4.5-5.5	1.22	5300	10.56	0.112	30.8	20
AV-F5010S5M	SLEEVE	5	4.5-5.5	1.15	4500	9.27	0.092	26.6	20
AV-F5010S5L	SLEEVE	5	4.5-5.5	0.12	3500	7.18	0.058	21.9	20
AV-F5010C1H	DUAL BALL	12	10.8-13.2	0.11	5300	10.56	0.112	30.8	20
AV-F5010C1M	DUAL BALL	12	10.8-13.2	0.80	4500	9.27	0.092	26.6	20
AV-F5010C1L	DUAL BALL	12	10.8-13.2	0.60	3500	7.18	0.058	21.9	20
AV-F5010B1H	BALL & SLEEVE	12	10.8-13.2	0.11	5300	10.56	0.112	30.8	20
AV-F5010B1M	BALL & SLEEVE	12	10.8-13.2	0.08	4500	9.27	0.092	26.6	20
AV-F5010S1H	SLEEVE	12	10.8-13.2	0.13	5300	10.56	0.112	30.8	20
AV-F5010S1M	SLEEVE	12	10.8-13.2	0.08	4500	9.27	0.092	26.6	20
AV-F5010S1L	SLEEVE	12	10.8-13.2	0.07	3500	7.18	0.058	21.9	20





RxSOLUTIONS TECHNOLOGY Co Ltd

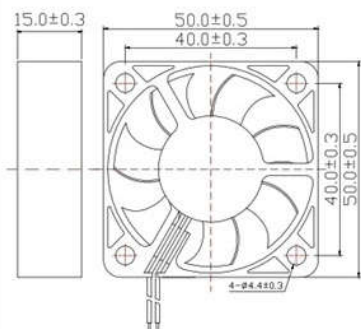
DC AXIAL FAN 50X15MM



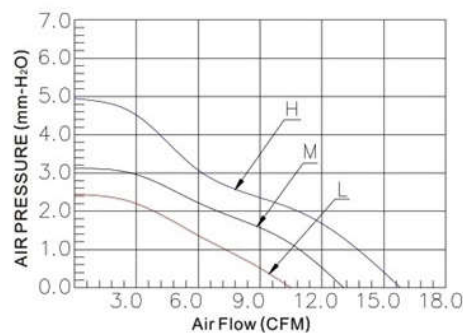
DC AXIAL FAN TYPE AV-F5015

SIZE:
 50x50x15mm
CONSTRUCTION:
 Glass fiber reinforced thermoplastic
 Impeller and housing UL94V-0
OPERATING TEMPERATURE:
 Sleeve bearing -10C to +70C
INSULATION RESISTANCE:
 >10 megohm at 500VDC
 (frame-terminal/wires)
DIELECTRIC STRENGTH:
 500V/60HZ, 5mA, 1 minute
 (frame-terminal/wires)

MODEL	BEARING TYPE	RATED VOLTAGE (DC)	OPERATING VOLTAGE (DC)	CURRENT (A)	SPEED (RPM)	AIR FLOW (CFM)	STATIC PRESSURE (mmH2O)	NOISE LEVEL (dBA)	WEIGHT (g)
AV-F5015HS05	SLEEVE	5	4.5-5.5	0.3	5500	16.5	4.58	36.42	23.6
AV-F5015MS05	SLEEVE	5	4.5-5.5	0.23	4500	13.94	3.04	31.74	23.6
AV-F5015LS05	SLEEVE	5	4.5-5.5	0.17	3500	10.85	2.25	29.39	23.6
AV-F5015HB05	BALL	5	4.5-5.5	0.3	5500	16.5	4.58	36.42	23.6
AV-F5015MB05	BALL	5	4.5-5.5	0.23	4500	13.94	3.04	31.74	23.6
AV-F5015LB05	BALL	5	4.5-5.5	0.17	3500	10.85	2.25	29.39	23.6
AV-F5015HS	SLEEVE	12	10.8-13.2	0.16	5500	16.5	4.58	36.42	23.6
AV-F5015MS	SLEEVE	12	10.8-13.2	0.12	4500	13.94	3.04	31.74	23.6
AV-F5015LS	SLEEVE	12	10.8-13.2	0.08	3500	10.85	2.25	29.39	23.6
AV-F5015HB	BALL	12	10.8-13.2	0.16	5500	16.5	4.58	36.42	23.6
AV-F5015MB	BALL	12	10.8-13.2	0.12	4500	13.94	3.04	31.74	23.6
AV-F5015LB	BALL	12	10.8-13.2	0.08	3500	10.85	2.25	29.39	23.6



Units: mm





RxSOLUTIONS TECHNOLOGY Co Ltd

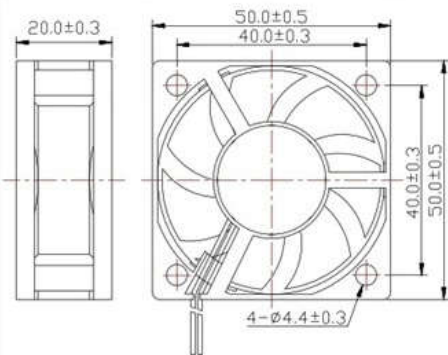
DC AXIAL FAN 50X20MM



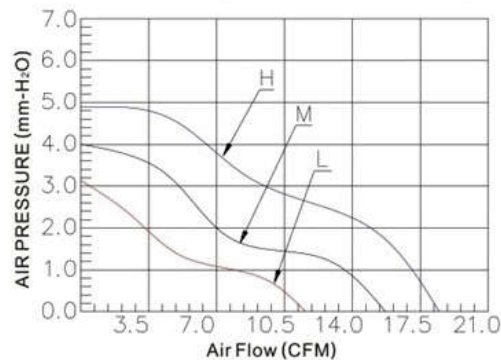
DC AXIAL FAN TYPE AV-F5020

SIZE:
 50x50x20mm
CONSTRUCTION:
 Glass fiber reinforced thermoplastic
 Impeller and housing UL94V-0
OPERATING TEMPERATURE:
 Sleeve bearing -10C to +70C
INSULATION RESISTANCE:
 >10 megohm at 500VDC
 (frame-terminal/wires)
DIELECTRIC STRENGTH:
 500V/60HZ, 5mA, 1 minute
 (frame-terminal/wires)

MODEL	BEARING TYPE	RATED VOLTAGE (DC)	OPERATING VOLTAGE (DC)	CURRENT (A)	SPEED (RPM)	AIR FLOW (CFM)	STATIC PRESSURE (mmH2O)	NOISE LEVEL (dBA)	WEIGHT (g)
AV-F5020HS05	SLEEVE	5	4.5-5.5	0.32	5500	18.33	4.89	35.2	35
AV-F5020MS05	SLEEVE	5	4.5-5.5	0.26	4500	14.99	4.0	28.8	35
AV-F5020LS05	SLEEVE	5	4.5-5.5	0.18	3500	11.66	3.11	22.4	35
AV-F5020HB05	BALL	5	4.5-5.5	0.32	5500	18.33	4.89	35.2	35
AV-F5020MB05	BALL	5	4.5-5.5	0.26	4500	14.99	4.0	28.8	35
AV-F5020LB05	BALL	5	4.5-5.5	0.18	3500	11.66	3.11	22.4	35
AV-F5020HS	SLEEVE	12	10.8-13.2	0.32	5500	18.33	4.89	35.2	35
AV-F5020MS	SLEEVE	12	10.8-13.2	0.26	4500	14.99	4.0	28.8	35
AV-F5020LS	SLEEVE	12	10.8-13.2	0.18	3500	11.66	3.11	22.4	35
AV-F5020HB	BALL	12	10.8-13.2	0.32	5500	18.33	4.89	35.2	35
AV-F5020MB	BALL	12	10.8-13.2	0.26	4500	14.99	4.0	28.8	35
AV-F5020LB	BALL	12	10.8-13.2	0.18	3500	11.66	3.11	22.4	35



Units: mm





RxSOLUTIONS TECHNOLOGY Co Ltd

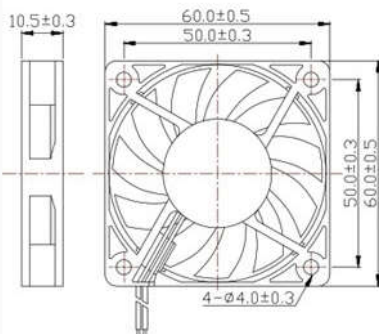
DC AXIAL FAN 60X10MM



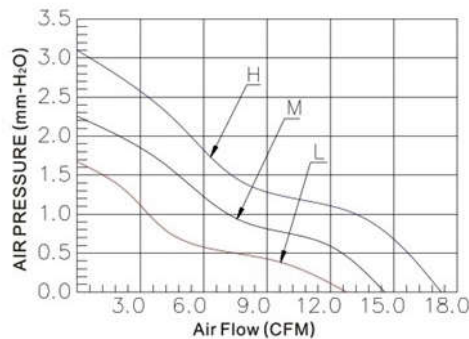
DC AXIAL FAN TYPE AV-F6010

SIZE:
 60x60x10mm
 CONSTRUCTION:
 Glass fiber reinforced thermoplastic
 Impeller and housing UL94V-0
 OPERATING TEMPERATURE:
 Sleeve bearing -10C to +70C
 INSULATION RESISTANCE:
 >10 megohm at 500VDC
 (frame-terminal/wires)
 DIELECTRIC STRENGTH:
 500V/60HZ, 5mA, 1 minute
 (frame-terminal/wires)

MODEL	BEARING TYPE	RATED VOLTAGE (DC)	OPERATING VOLTAGE (DC)	CURRENT (A)	SPEED (RPM)	AIR FLOW (CFM)	STATIC PRESSURE (mmH2O)	NOISE LEVEL (dBA)	WEIGHT (g)
AV-F6010HS05	SLEEVE	5	4.5-5.5	0.35	4000	17.17	3.15	28.86	21
AV-F6010MS05	SLEEVE	5	4.5-5.5	0.2	3500	14.78	2.38	26.28	21
AV-F6010LS05	SLEEVE	5	4.5-5.5	0.25	3000	12.3	1.67	23.33	21
AV-F6010HB05	BALL	5	4.5-5.5	0.35	4000	17.17	3.15	28.86	21
AV-F6010MB05	BALL	5	4.5-5.5	0.3	3500	14.78	2.38	26.28	21
AV-F6010LB05	BALL	5	4.5-5.5	0.25	3000	12.3	1.67	23.33	21
AV-F6010HS	SLEEVE	12	10.8-13.2	0.23	4000	17.17	3.15	28.86	21
AV-F6010MS	SLEEVE	12	10.8-13.2	0.17	3500	14.78	2.38	26.28	21
AV-F6010LS	SLEEVE	12	10.8-13.2	0.13	3000	12.3	1.67	23.33	21
AV-F6010HB	BALL	12	10.8-13.2	0.23	4000	17.17	3.15	28.86	21
AV-F6010MB	BALL	12	10.8-13.2	0.17	3500	14.78	2.38	26.28	21
AV-F6010LB	BALL	12	10.8-13.2	0.13	3000	12.3	1.67	23.33	21



Units: mm





RxSOLUTIONS TECHNOLOGY Co Ltd

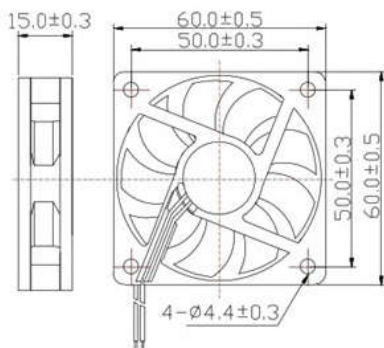
DC AXIAL FAN 60X15MM



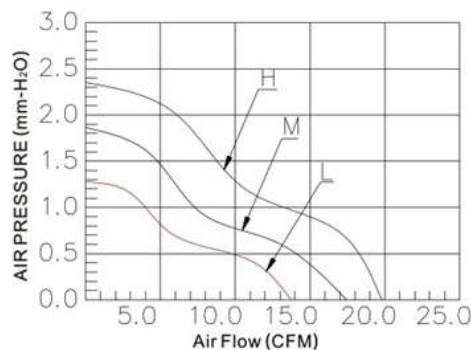
SIZE:
 60x60x15mm
CONSTRUCTION:
 Glass fiber reinforced thermoplastic
 Impeller and housing UL94V-0
OPERATING TEMPERATURE:
 Sleeve bearing -10C to +70C
INSULATION RESISTANCE:
 >10 megohm at 500VDC
 (frame-terminal/wires)
DIELECTRIC STRENGTH:
 500V/60HZ, 5mA, 1 minute
 (frame-terminal/wires)

DC AXIAL FAN TYPE AV-F6015

MODEL	BEARING TYPE	RATED VOLTAGE (DC)	OPERATING VOLTAGE (DC)	CURRENT (A)	SPEED (RPM)	AIR FLOW (CFM)	STATIC PRESSURE (mmH2O)	NOISE LEVEL (dBA)	WEIGHT (g)
AV-F6015HS05	SLEEVE	5	4.5-5.5	0.26	4000	19.83	2.35	34.63	35.6
AV-F6015MS05	SLEEVE	5	4.5-5.5	0.2	3500	17.58	1.85	30.69	35.6
AV-F6015LS05	SLEEVE	5	4.5-5.5	0.14	3000	14.67	1.27	28.54	35.6
AV-F6015HB05	BALL	5	4.5-5.5	0.26	4000	19.83	2.35	34.63	35.6
AV-F6015MB05	BALL	5	4.5-5.5	0.2	3500	17.58	1.85	30.69	35.6
AV-F6015LB05	BALL	5	4.5-5.5	0.14	3000	14.67	1.27	28.54	35.6
AV-F6015HS	SLEEVE	12	10.8-13.2	0.15	4000	19.83	2.35	34.63	35.6
AV-F6015MS	SLEEVE	12	10.8-13.2	0.13	3500	17.58	1.85	30.69	35.6
AV-F6015LS	SLEEVE	12	10.8-13.2	0.11	3000	14.67	1.27	28.54	35.6
AV-F6015HB	BALL	12	10.8-13.2	0.15	4000	19.83	2.35	34.63	35.6
AV-F6015MB	BALL	12	10.8-13.2	0.13	3500	17.58	1.85	30.69	35.6
AV-F6015LB	BALL	12	10.8-13.2	0.11	3000	14.67	1.27	28.54	35.6



Units: mm





RxSOLUTIONS TECHNOLOGY Co Ltd

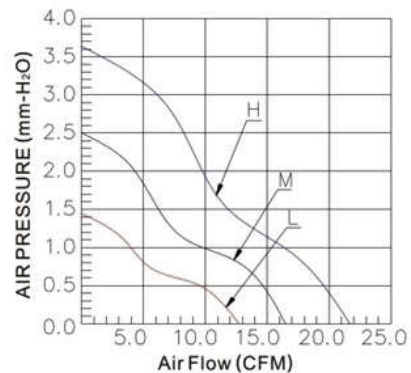
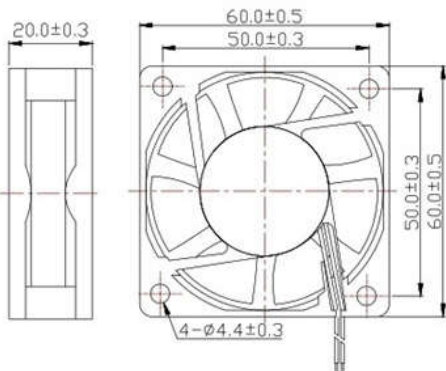
DC AXIAL FAN 60X20MM



DC AXIAL FAN TYPE AV-F6020

SIZE:
 60x60x20mm
CONSTRUCTION:
 Glass fiber reinforced thermoplastic
 Impeller and housing UL94V-0
OPERATING TEMPERATURE:
 Sleeve bearing -10C to +70C
INSULATION RESISTANCE:
 >10 megohm at 500VDC
 (frame-terminal/wires)
DIELECTRIC STRENGTH:
 500V/60HZ, 5mA, 1 minute
 (frame-terminal/wires)

MODEL	BEARING TYPE	RATED VOLTAGE (DC)	OPERATING VOLTAGE (DC)	CURRENT (A)	SPEED (RPM)	AIR FLOW (CFM)	STATIC PRESSURE (mmH2O)	NOISE LEVEL (dBA)	WEIGHT (g)
AV-F6020HS	SLEEVE	12	10.8-13.2	0.15	4000	20.28	3.65	29.04	42.5
AV-F6020MS	SLEEVE	12	10.8-13.2	0.1	3300	16.5	2.5	23.85	42.5
AV-F6020LS	SLEEVE	12	10.8-13.2	0.07	2500	12.31	1.45	21.35	42.5
AV-F6020HB	BALL	12	10.8-13.2	0.15	4000	20.28	3.65	29.04	42.5
AV-F6020MB	BALL	12	10.8-13.2	0.1	3300	16.5	2.5	23.85	42.5
AV-F6020LB	BALL	12	10.8-13.2	0.07	2500	12.31	1.45	21.35	42.5
AV-F6020HS24	SLEEVE	24	21.6-26.4	0.12	4000	20.28	3.65	29.04	42.5
AV-F6020MS24	SLEEVE	24	21.6-26.4	0.08	3300	16.5	2.5	23.85	42.5
AV-F6020LS24	SLEEVE	24	21.6-26.4	0.05	2500	12.31	1.45	21.35	42.5
AV-F6020HB24	BALL	24	21.6-26.4	0.12	4000	20.28	3.65	29.04	42.5
AV-F6020MB24	BALL	24	21.6-26.4	0.08	3300	16.5	2.5	23.85	42.5
AV-F6020LB24	BALL	24	21.6-26.4	0.05	2500	12.31	1.45	21.35	42.5



Units: mm



RxSOLUTIONS TECHNOLOGY Co Ltd

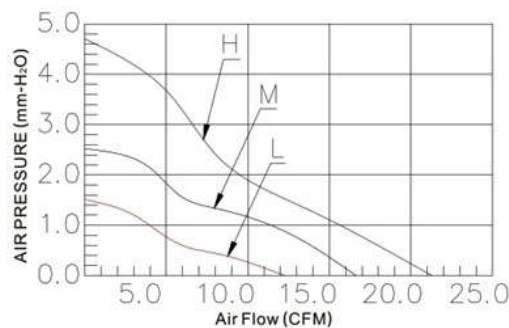
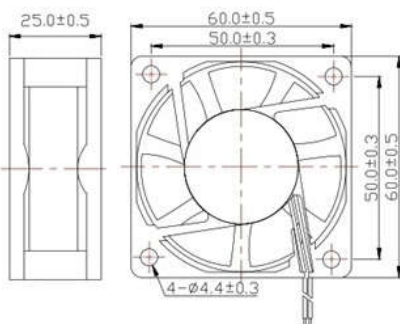
DC AXIAL FAN 60X25MM



SIZE:
 60x60x25mm
CONSTRUCTION:
 Glass fiber reinforced thermoplastic
 Impeller and housing UL94V-0
OPERATING TEMPERATURE:
 Sleeve bearing -10C to +70C
INSULATION RESISTANCE:
 >10 megohm at 500VDC
 (frame-terminal/wires)
DIELECTRIC STRENGTH:
 500V/60HZ, 5mA, 1 minute
 (frame-terminal/wires)

DC AXIAL FAN TYPE AV-F6025

MODEL	BEARING TYPE	RATED VOLTAGE (DC)	OPERATING VOLTAGE (DC)	CURRENT (A)	SPEED (RPM)	AIR FLOW (CFM)	STATIC PRESSURE (mmH ₂ O)	NOISE LEVEL (dBA)	WEIGHT (g)
AV-F6025HS	SLEEVE	12	10.8-13.2	0.14	4000	21.08	4.7	29.32	49.2
AV-F6025MS	SLEEVE	12	10.8-13.2	0.11	3300	17.41	2.56	24.64	49.2
AV-F6025LS	SLEEVE	12	10.8-13.2	0.08	2500	13.21	1.15	21.05	49.2
AV-F6025HB	BALL	12	10.8-13.2	0.14	4000	21.08	4.7	29.32	49.2
AV-F6025MB	BALL	12	10.8-13.2	0.11	3300	17.41	2.56	24.64	49.2
AV-F6025LB	BALL	12	10.8-13.2	0.08	2500	13.21	1.15	21.05	49.2
AV-F6025HS24	SLEEVE	24	21.6-26.4	0.1	4000	21.08	4.7	29.32	49.2
AV-F6025MS24	SLEEVE	24	21.6-26.4	0.08	3300	17.41	2.56	24.64	49.2
AV-F6025LS24	SLEEVE	24	21.6-26.4	0.06	2500	13.21	1.15	21.05	49.2
AV-F6025HB24	BALL	24	21.6-26.4	0.1	4000	21.08	4.7	29.32	49.2
AV-F6025MB24	BALL	24	21.6-26.4	0.08	3300	17.41	2.56	24.64	49.2
AV-F6025LB24	BALL	24	21.6-26.4	0.06	2500	13.21	1.15	21.05	49.2



Units: mm



RxSOLUTIONS TECHNOLOGY Co Ltd

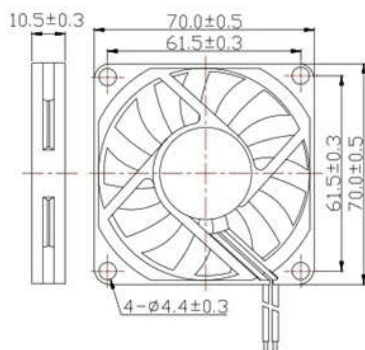
DC AXIAL FAN 70X10MM



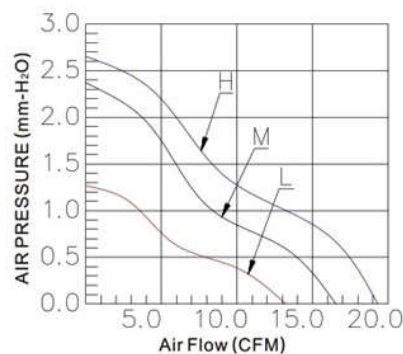
SIZE:
 70x70x10mm
CONSTRUCTION:
 Glass fiber reinforced thermoplastic
 Impeller and housing UL94V-0
OPERATING TEMPERATURE:
 Sleeve bearing -10C to +70C
INSULATION RESISTANCE:
 >10 megohm at 500VDC
 (frame-terminal/wires)
DIELECTRIC STRENGTH:
 500V/60HZ, 5mA, 1 minute
 (frame-terminal/wires)

DC AXIAL FAN TYPE AV-F7010

MODEL	BEARING TYPE	RATED VOLTAGE (DC)	OPERATING VOLTAGE (DC)	CURRENT (A)	SPEED (RPM)	AIR FLOW (CFM)	STATIC PRESSURE (mmH2O)	NOISE LEVEL (dBA)	WEIGHT (g)
AV-F7010HS	SLEEVE	12	10.8-13.2	0.21	3500	19.13	2.65	32.6	24.2
AV-F7010MS	SLEEVE	12	10.8-13.2	0.14	3000	16.39	2.48	27.95	24.2
AV-F7010LS	SLEEVE	12	10.8-13.2	0.1	2500	13.31	1.28	23.86	24.2
AV-F7010HB	BALL	12	10.8-13.2	0.21	3500	19.13	2.65	32.6	24.2
AV-F7010MB	BALL	12	10.8-13.2	0.14	3000	16.39	2.48	27.95	24.2
AV-F7010LB	BALL	12	10.8-13.2	0.1	2500	13.31	1.28	23.86	24.2
AV-F7010HS24	SLEEVE	24	21.6-26.4	0.13	3500	19.13	2.65	32.6	24.2
AV-F7010MS24	SLEEVE	24	21.6-26.4	0.11	3000	16.39	2.48	27.95	24.2
AV-F7010LS24	SLEEVE	24	21.6-26.4	0.08	2500	13.31	1.28	23.86	24.2
AV-F7010HB24	BALL	24	21.6-26.4	0.13	3500	19.13	2.65	32.6	24.2
AV-F7010MB24	BALL	24	21.6-26.4	0.11	3000	16.39	2.48	27.95	24.2
AV-F7010LB24	BALL	24	21.6-26.4	0.08	2500	13.31	1.28	23.86	24.2



Units: mm





RxSOLUTIONS TECHNOLOGY Co Ltd

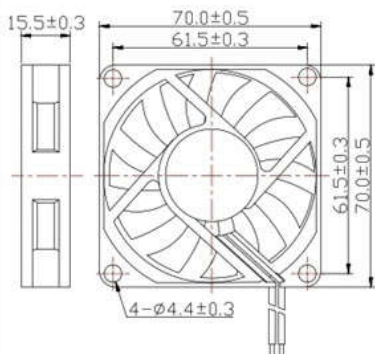
DC AXIAL FAN 70X15MM



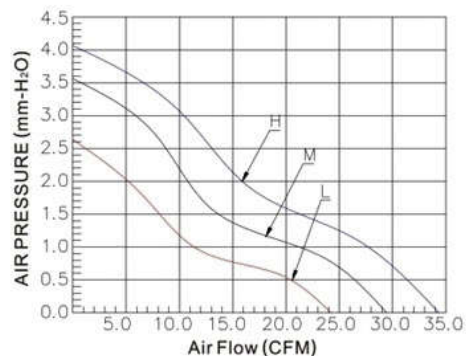
DC AXIAL FAN TYPE AV-F7015

SIZE:
 70x70x15mm
CONSTRUCTION:
 Glass fiber reinforced thermoplastic
 Impeller and housing UL94V-0
OPERATING TEMPERATURE:
 Sleeve bearing -10C to +70C
INSULATION RESISTANCE:
 >10 megohm at 500VDC
 (frame-terminal/wires)
DIELECTRIC STRENGTH:
 500V/60HZ, 5mA, 1 minute
 (frame-terminal/wires)

MODEL	BEARING TYPE	RATED VOLTAGE (DC)	OPERATING VOLTAGE (DC)	CURRENT (A)	SPEED (RPM)	AIR FLOW (CFM)	STATIC PRESSURE (mmH2O)	NOISE LEVEL (dBA)	WEIGHT (g)
AV-F7015HS	SLEEVE	12	10.8-13.2	0.3	4000	34.18	4.03	31.66	42.1
AV-F7015MS	SLEEVE	12	10.8-13.2	0.25	3600	29.4	3.53	31.08	42.1
AV-F6020LS	SLEEVE	12	10.8-13.2	0.2	3000	24.42	2.62	27.2	42.1
AV-F7015HB	BALL	12	10.8-13.2	0.3	4000	34.18	4.03	31.66	42.1
AV-F7015MB	BALL	12	10.8-13.2	0.25	3600	29.4	3.53	31.08	42.1
AV-F7015LB	BALL	12	10.8-13.2	0.2	3000	24.42	2.62	27.2	42.1
AV-F7015HS24	SLEEVE	24	21.6-26.4	0.14	4000	34.18	4.03	31.66	42.1
AV-F7015MS24	SLEEVE	24	21.6-26.4	0.11	3600	29.4	3.53	31.08	42.1
AV-F7015LS24	SLEEVE	24	21.6-26.4	0.08	3000	24.42	2.62	27.2	42.1
AV-F7015HB24	BALL	24	21.6-26.4	0.14	4000	34.18	4.03	31.66	42.1
AV-F7015MB24	BALL	24	21.6-26.4	0.11	3600	29.4	3.53	31.08	42.1
AV-F7015LB24	BALL	24	21.6-26.4	0.08	3000	24.42	2.62	27.2	42.1



Units: mm





RxSOLUTIONS TECHNOLOGY Co Ltd

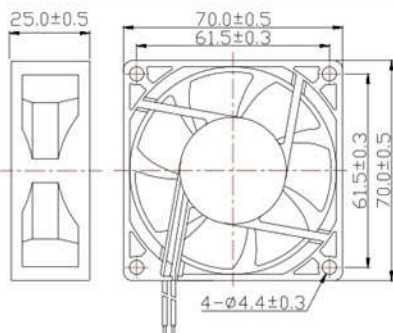
DC AXIAL FAN 70X25MM



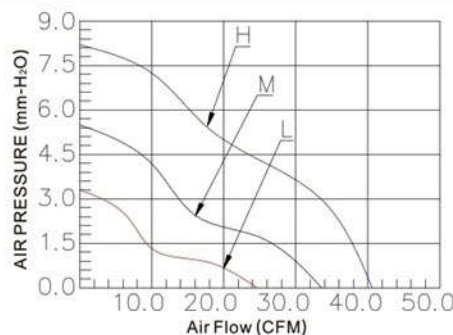
SIZE:
 70x70x25mm
 CONSTRUCTION:
 Glass fiber reinforced thermoplastic
 Impeller and housing UL94V-0
 OPERATING TEMPERATURE:
 Sleeve bearing -10C to +70C
 INSULATION RESISTANCE:
 >10 megohm at 500VDC
 (frame-terminal/wires)
 DIELECTRIC STRENGTH:
 500V/60HZ, 5mA, 1 minute
 (frame-terminal/wires)

DC AXIAL FAN TYPE AV-F7025

MODEL	BEARING TYPE	RATED VOLTAGE (DC)	OPERATING VOLTAGE (DC)	CURRENT (A)	SPEED (RPM)	AIR FLOW (CFM)	STATIC PRESSURE (mmH2O)	NOISE LEVEL (dBA)	WEIGHT (g)
AV-F7025HS	SLEEVE	12	10.8-13.2	0.3	4000	40.32	7.71	36.86	59.3
AV-F7025MS	SLEEVE	12	10.8-13.2	0.2	3400	31.53	4.95	29.49	59.3
AV-F7025LS	SLEEVE	12	10.8-13.2	0.15	3000	23.72	3.1	24.14	59.3
AV-F7025HB	BALL	12	10.8-13.2	0.3	4000	40.32	7.71	36.86	59.3
AV-F7025MB	BALL	12	10.8-13.2	0.2	3400	31.53	4.95	29.49	59.3
AV-F7025LB	BALL	12	10.8-13.2	0.15	3000	23.72	3.1	24.14	59.3
AV-F7025HS24	SLEEVE	24	21.6-26.4	0.2	4000	40.32	7.71	36.86	59.3
AV-F7025MS24	SLEEVE	24	21.6-26.4	0.11	3400	31.53	4.95	29.49	59.3
AV-F7025LS24	SLEEVE	24	21.6-26.4	0.08	3000	23.72	3.1	24.14	59.3
AV-F7025HB24	BALL	24	21.6-26.4	0.2	4000	40.32	7.71	36.86	59.3
AV-F7025MB24	BALL	24	21.6-26.4	0.11	3400	31.53	4.95	29.49	59.3
AV-F7025LB24	BALL	24	21.6-26.4	0.08	3000	23.72	3.1	24.14	59.3



Units: mm





RxSOLUTIONS TECHNOLOGY Co Ltd

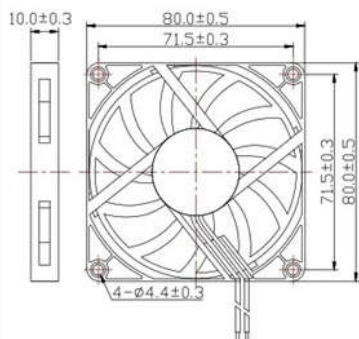
DC AXIAL FAN 80X10MM



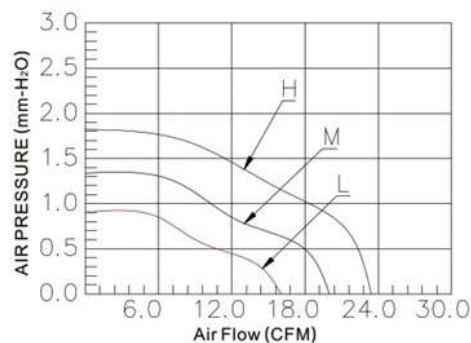
DC AXIAL FAN TYPE AV-F8010

SIZE:
 80x80x10mm
 CONSTRUCTION:
 Glass fiber reinforced thermoplastic
 Impeller and housing UL94V-0
 OPERATING TEMPERATURE:
 Sleeve bearing -10C to +70C
 INSULATION RESISTANCE:
 >10 megohm at 500VDC
 (frame-terminal/wires)
 DIELECTRIC STRENGTH:
 500V/60HZ, 5mA, 1 minute
 (frame-terminal/wires)

MODEL	BEARING TYPE	RATED VOLTAGE (DC)	OPERATING VOLTAGE (DC)	CURRENT (A)	SPEED (RPM)	AIR FLOW (CFM)	STATIC PRESSURE (mmH2O)	NOISE LEVEL (dBA)	WEIGHT (g)
AV-F8010HS05	SLEEVE	5	4.5-5.5	0.35	3000	23.45	1.81	30.75	32
AV-F8010MS05	SLEEVE	5	4.5-5.5	0.25	2500	19.68	1.31	26.25	32
AV-F8010LS05	SLEEVE	5	4.5-5.5	0.17	2000	15.58	0.09	22.08	32
AV-F8010HB05	BALL	5	4.5-5.5	0.35	3000	23.45	1.81	30.75	32
AV-F8010MB05	BALL	5	4.5-5.5	0.25	2500	19.68	1.31	26.25	32
AV-F8010LB05	BALL	5	4.5-5.5	0.17	2000	15.58	0.09	22.08	32
AV-F8010HS	SLEEVE	12	10.8-13.2	0.24	3000	23.45	1.81	30.75	32
AV-F8010MS	SLEEVE	12	10.8-13.2	0.18	2500	19.68	1.31	26.25	32
AV-F8010LS	SLEEVE	12	10.8-13.2	0.12	2000	15.58	0.09	22.08	32
AV-F8010HB	BALL	12	10.8-13.2	0.24	3000	23.45	1.81	30.75	32
AV-F8010MB	BALL	12	10.8-13.2	0.18	2500	19.68	1.31	26.25	32
AV-F8010LB	BALL	12	10.8-13.2	0.12	2000	15.58	0.09	22.08	32



Units: mm





RxSOLUTIONS TECHNOLOGY Co Ltd

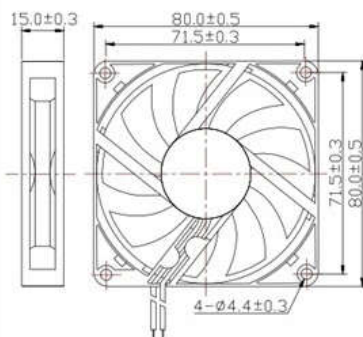
DC AXIAL FAN 80X15MM



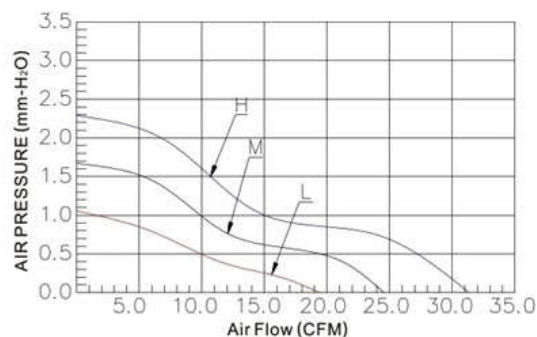
SIZE:
 80x80x15mm
CONSTRUCTION:
 Glass fiber reinforcing thermoplastic
 Impeller and housing UL94V-0
OPERATING TEMPERATURE:
 Sleeve bearing -10C to +70C
INSULATION RESISTANCE:
 >10 megohm at 500VDC
 (frame-terminal/wires)
DIELECTRIC STRENGTH:
 500V/60HZ, 5mA, 1 minute
 (frame-terminal/wires)

DC AXIAL FAN TYPE AV-F8015

MODEL	BEARING TYPE	RATED VOLTAGE (DC)	OPERATING VOLTAGE (DC)	CURRENT (A)	SPEED (RPM)	AIR FLOW (CFM)	STATIC PRESSURE (mmH2O)	NOISE LEVEL (dBA)	WEIGHT (g)
AV-F8015HS05	SLEEVE	5	4.5-5.5	0.35	3000	30.16	2.38	34.57	46.5
AV-F8015MS05	SLEEVE	5	4.5-5.5	0.28	2500	24.89	1.69	29.8	46.5
AV-F8015LS05	SLEEVE	5	4.5-5.5	0.2	2000	18.99	1.03	24.15	46.5
AV-F8015HB05	BALL	5	4.5-5.5	0.35	3000	30.16	2.38	34.57	46.5
AV-F8015MB05	BALL	5	4.5-5.5	0.28	2500	24.89	1.69	29.8	46.5
AV-F8015LB05	BALL	5	4.5-5.5	0.2	2000	18.99	1.03	24.15	46.5
AV-F8015HS	SLEEVE	12	10.8-13.2	0.2	3000	30.16	2.38	34.57	46.5
AV-F8015MS	SLEEVE	12	10.8-13.2	0.15	2500	24.89	1.69	29.8	46.5
AV-F8015LS	SLEEVE	12	10.8-13.2	0.1	2000	18.99	1.03	24.15	46.5
AV-F8015HB	BALL	12	10.8-13.2	0.2	3000	30.16	2.38	34.57	46.5
AV-F8015MB	BALL	12	10.8-13.2	0.15	2500	24.89	1.69	29.8	46.5
AV-F8015LB	BALL	12	10.8-13.2	0.1	2000	18.99	1.03	24.15	46.5



Units: mm





RxSOLUTIONS TECHNOLOGY Co Ltd

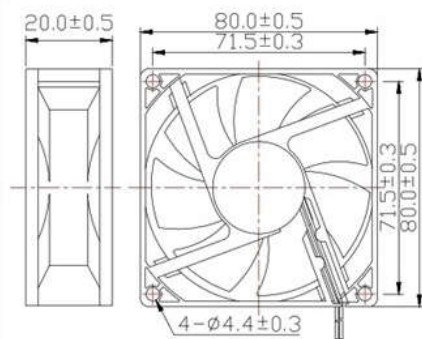
DC AXIAL FAN 80X20MM



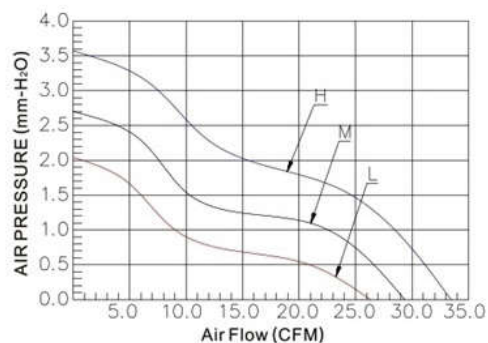
DC AXIAL FAN TYPE AV-F8020

SIZE:
 80x80x20mm
CONSTRUCTION:
 Glass fiber reinforced thermoplastic
 Impeller and housing UL94V-0
OPERATING TEMPERATURE:
 Sleeve bearing -10C to +70C
INSULATION RESISTANCE:
 >10 megohm at 500VDC
 (frame-terminal/wires)
DIELECTRIC STRENGTH:
 500V/60HZ, 5mA, 1 minute
 (frame-terminal/wires)

MODEL	BEARING TYPE	RATED VOLTAGE (DC)	OPERATING VOLTAGE (DC)	CURRENT (A)	SPEED (RPM)	AIR FLOW (CFM)	STATIC PRESSURE (mmH ₂ O)	NOISE LEVEL (dBA)	WEIGHT (g)
AV-F8020HS	SLEEVE	12	10.8-13.2	0.2	3200	33.95	3.55	30.67	61.3
AV-F8020MS	SLEEVE	12	10.8-13.2	0.15	2800	29.29	2.7	26.95	61.3
AV-F8020LS	SLEEVE	12	10.8-13.2	0.1	2400	25.15	2.03	23.62	61.3
AV-F8020HB	BALL	12	10.8-13.2	0.2	3200	33.95	3.55	30.67	61.3
AV-F8020MB	BALL	12	10.8-13.2	0.15	2800	29.29	2.7	26.95	61.3
AV-F8020LB	BALL	12	10.8-13.2	0.1	2400	25.15	2.03	23.62	61.3
AV-F8020HS24	SLEEVE	24	21.6-26.4	0.11	3200	33.95	3.55	30.67	61.3
AV-F8020MS24	SLEEVE	24	21.6-26.4	0.09	2800	29.29	2.7	26.95	61.3
AV-F8020LS24	SLEEVE	24	21.6-26.4	0.07	2400	25.15	2.03	23.62	61.3
AV-F8020HB24	BALL	24	21.6-26.4	0.11	3200	33.95	3.55	30.67	61.3
AV-F8020MB24	BALL	24	21.6-26.4	0.09	2800	29.29	2.7	26.95	61.3
AV-F8020LB24	BALL	24	21.6-26.4	0.07	2400	25.15	2.03	23.62	61.3



Units: mm





RxSOLUTIONS TECHNOLOGY Co Ltd

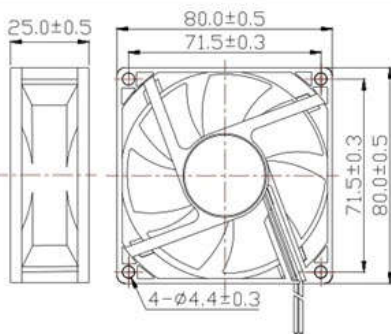
DC AXIAL FAN 80X25MM



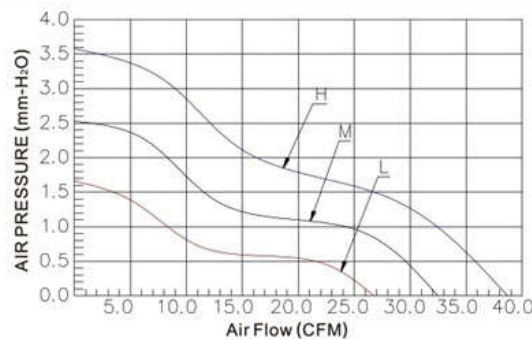
DC AXIAL FAN TYPE AV-F8025

SIZE:
 80x80x25mm
CONSTRUCTION:
 Glass fiber reinforced thermoplastic
 Impeller and housing UL94V-0
OPERATING TEMPERATURE:
 Sleeve bearing -10C to +70C
INSULATION RESISTANCE:
 >10 megohm at 500VDC
 (frame-terminal/wires)
DIELECTRIC STRENGTH:
 500V/60HZ, 5mA, 1 minute
 (frame-terminal/wires)

MODEL	BEARING TYPE	RATED VOLTAGE (DC)	OPERATING VOLTAGE (DC)	CURRENT (A)	SPEED (RPM)	AIR FLOW (CFM)	STATIC PRESSURE (mmH ₂ O)	NOISE LEVEL (dBA)	WEIGHT (g)
AV-F8025HS	SLEEVE	12	10.8-13.2	0.35	4000	38.88	3.54	32.31	60.9
AV-F8025MS	SLEEVE	12	10.8-13.2	0.2	3000	32.37	3.52	27.85	60.9
AV-F8025LS	SLEEVE	12	10.8-13.2	0.08	2000	25.64	1.64	22.05	60.9
AV-F8025HB	BALL	12	10.8-13.2	0.35	4000	38.88	3.54	32.31	60.9
AV-F8025MB	BALL	12	10.8-13.2	0.2	3000	32.37	3.52	27.85	60.9
AV-F8025LB	BALL	12	10.8-13.2	0.08	2000	25.64	1.64	22.05	60.9
AV-F8025HS24	SLEEVE	24	21.6-26.4	0.25	4000	38.88	3.54	32.31	60.9
AV-F8025MS24	SLEEVE	24	21.6-26.4	0.15	3000	32.37	3.52	27.85	60.9
AV-F8025LS24	SLEEVE	24	21.6-26.4	0.07	2000	25.64	1.64	22.05	60.9
AV-F8025HB24	BALL	24	21.6-26.4	0.25	4000	38.88	3.54	32.31	60.9
AV-F8025MB24	BALL	24	21.6-26.4	0.15	3000	32.37	3.52	27.85	60.9
AV-F8025LB24	BALL	24	21.6-26.4	0.07	2000	25.64	1.64	22.05	60.9



Units: mm





RxSOLUTIONS TECHNOLOGY Co Ltd

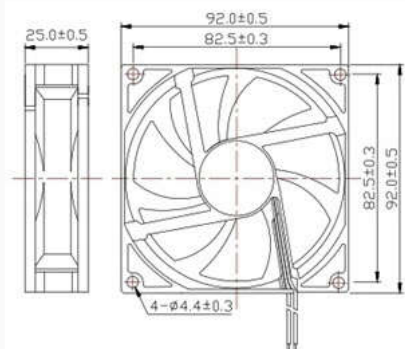
DC AXIAL FAN 92X25MM



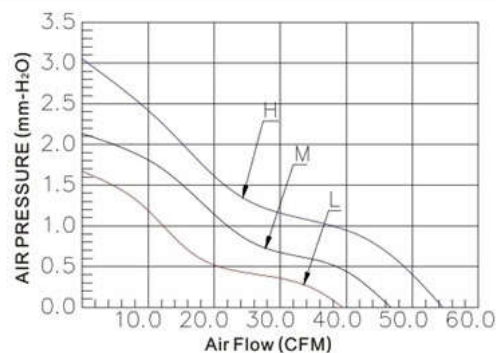
SIZE:
 92x92x25mm
CONSTRUCTION:
 Glass fiber reinforced thermoplastic
 Impeller and housing UL94V-0
OPERATING TEMPERATURE:
 Sleeve bearing -10C to +70C
INSULATION RESISTANCE:
 >10 megohm at 500VDC
 (frame-terminal/wires)
DIELECTRIC STRENGTH:
 500V/60HZ, 5mA, 1 minute
 (frame-terminal/wires)

DC FAN TYPE AC-F9225

MODEL	BEARING TYPE	RATED VOLTAGE (DC)	OPERATING VOLTAGE (DC)	CURRENT (A)	SPEED (RPM)	AIR FLOW (CFM)	STATIC PRESSURE (mmH2O)	NOISE LEVEL (dBA)	WEIGHT (g)
AV-F9225HS	SLEEVE	12	10.8-13.2	0.35	4000	54.73	3.04	32.81	70
AV-F9225MS	SLEEVE	12	10.8-13.2	0.25	3000	46.46	2.11	28.58	70
AV-F9225LS	SLEEVE	12	10.8-13.2	0.16	2000	39.87	1.67	25.87	70
AV-F9225HB	BALL	12	10.8-13.2	0.35	4000	54.73	3.04	32.81	70
AV-F9225MB	BALL	12	10.8-13.2	0.25	3000	46.46	2.11	28.58	70
AV-F9225LB	BALL	12	10.8-13.2	0.16	2000	39.87	1.67	25.87	70
AV-F9225HS24	SLEEVE	24	21.6-26.4	0.25	4000	54.73	3.04	32.81	70
AV-F9225MS24	SLEEVE	24	21.6-26.4	0.2	3000	46.46	2.11	28.58	70
AV-F9225LS24	SLEEVE	24	21.6-26.4	0.07	2000	39.87	1.67	25.87	70
AV-F9225HB24	BALL	24	21.6-26.4	0.25	4000	54.73	3.04	32.81	70
AV-F9225MB24	BALL	24	21.6-26.4	0.2	3000	46.46	2.11	28.58	70
AV-F9225LB24	BALL	24	21.6-26.4	0.07	2000	39.87	1.67	25.87	70



Units: mm





RxSOLUTIONS TECHNOLOGY Co Ltd

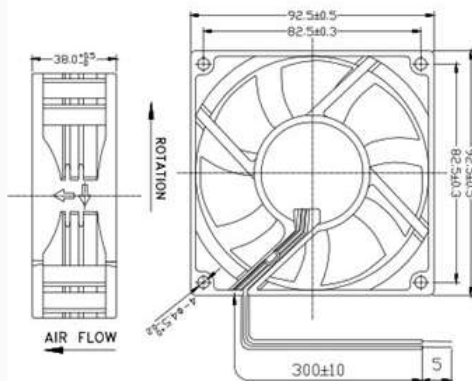
DC AXIAL FAN 92X38MM



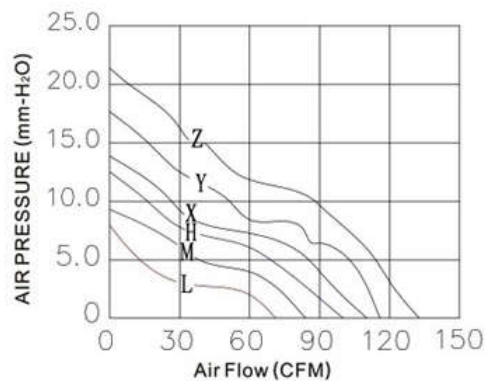
DC AXIAL FAN TYPE AV-F9238

SIZE:
 92x92x38mm
 CONSTRUCTION:
 Glass fiber reinforced thermoplastic
 Impeller and housing UL94V-0
 OPERATING TEMPERATURE:
 Sleeve bearing -10C to +70C
 INSULATION RESISTANCE:
 >10 megohm at 500VDC
 (frame-terminal/wires)
 DIELECTRIC STRENGTH:
 500V/60HZ, 5mA, 1 minute
 (frame-terminal/wires)

MODEL	BEARING TYPE	RATED VOLTAGE (DC)	OPERATING VOLTAGE (DC)	CURRENT (A)	SPEED (RPM)	AIR FLOW (CFM)	STATIC PRESSURE (mmH2O)	NOISE LEVEL (dBA)	WEIGHT (g)
AV-F9238HB	BALL	12	10.8-13.2	0.5	2500	104.7	14.5	53.5	80
AV-F9238MB	BALL	12	10.8-13.2	0.8	3500	116.1	18.1	57	80
AV-F9238LB	BALL	12	10.8-13.2	1	4500	130.2	22	59.3	80
AV-F9238HB24	BALL	24	21.6-26.4	0.5	2500	104.7	14.5	53.5	80
AV-F9238MB24	BALL	24	21.6-26.4	0.7	3500	116.1	18.1	57	80
AV-F9238LB24	BALL	24	21.6-26.4	1	4500	130.2	22	59.3	80
AV-F9238HB48	BALL	48	43.2-52.8	0.36	2500	104.7	14.5	53.5	80
AV-F9238MB48	BALL	48	43.2-52.8	0.54	3500	116.1	18.1	57	80
AV-F9238LB48	BALL	48	43.2-52.8	0.65	4500	130.2	22	59.3	80



Units: mm





RxSOLUTIONS TECHNOLOGY Co Ltd

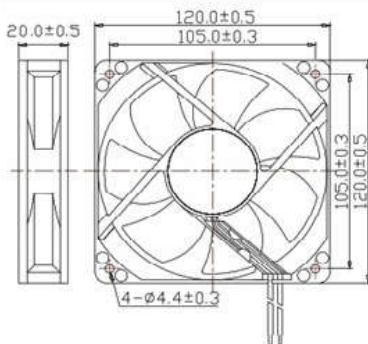
DC AXIAL FAN 120X20MM



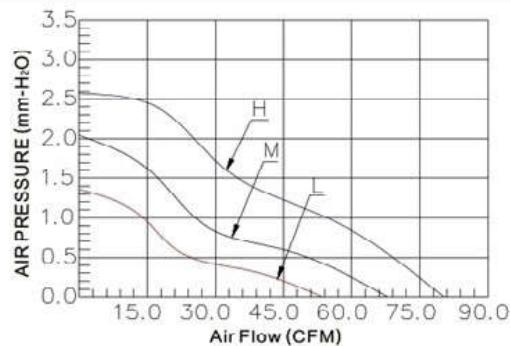
DC AXIAL FAN TYPE AV-F12020

SIZE:
 120x120x20mm
CONSTRUCTION:
 Glass fiber reinforced thermoplastic
 Impeller and housing UL94V-0
OPERATING TEMPERATURE:
 Sleeve bearing -10C to +70C
INSULATION RESISTANCE:
 >10 megohm at 500VDC
 (frame-terminal/wires)
DIELECTRIC STRENGTH:
 500V/60HZ, 5mA, 1 minute
 (frame-terminal/wires)

MODEL	BEARING TYPE	RATED VOLTAGE (DC)	OPERATING VOLTAGE (DC)	CURRENT (A)	SPEED (RPM)	AIR FLOW (CFM)	STATIC PRESSURE (mmH2O)	NOISE LEVEL (dBA)	WEIGHT (g)
AV-F12020HS	SLEEVE	12	10.8-13.2	0.3	2000	79.75	2.57	32.48	90.1
AV-F12020MS	SLEEVE	12	10.8-13.2	0.25	1700	66.05	2.01	28	90.1
AV-F12020LS	SLEEVE	12	10.8-13.2	0.2	1400	52.58	1.37	24.43	90.1
AV-F12020HB	BALL	12	10.8-13.2	0.3	2000	79.75	2.57	32.48	90.1
AV-F12020MB	BALL	12	10.8-13.2	0.25	1700	66.05	2.01	28	90.1
AV-F12020LB	BALL	12	10.8-13.2	0.2	1400	52.58	1.37	24.43	90.1
AV-F12020HS24	SLEEVE	24	21.6-26.4	0.23	2000	79.75	2.57	32.48	90.1
AV-F12020MS24	SLEEVE	24	21.6-26.4	0.18	1700	66.05	2.01	28	90.1
AV-F12020LS24	SLEEVE	24	21.6-26.4	0.13	1400	52.58	1.37	24.43	90.1
AV-F12020HB24	BALL	24	21.6-26.4	0.23	2000	79.75	2.57	32.48	90.1
AV-F12020MB24	BALL	24	21.6-26.4	0.18	1700	66.05	2.01	28	90.1
AV-F12020LB24	BALL	24	21.6-26.4	0.13	1400	52.58	1.37	24.43	90.1



Units: mm





RxSOLUTIONS TECHNOLOGY Co Ltd

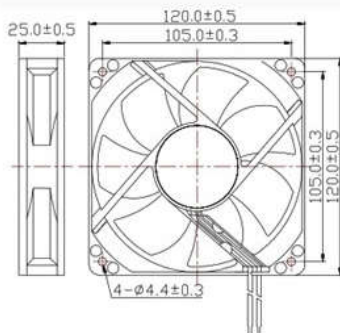
DC AXIAL FAN 120X25MM



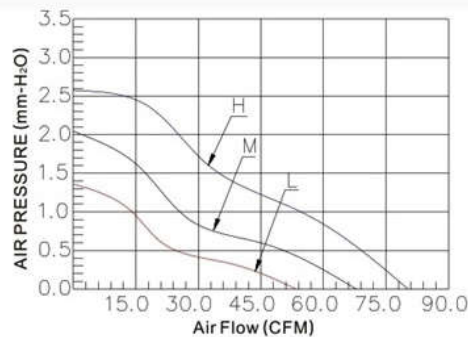
SIZE:
 120x120x25mm
CONSTRUCTION:
 Glass fiber reinforced thermoplastic
 Impeller and housing UL94V-0
OPERATING TEMPERATURE:
 Sleeve bearing -10C to +70C
INSULATION RESISTANCE:
 >10 megohm at 500VDC
 (frame-terminal/wires)
DIELECTRIC STRENGTH:
 500V/60HZ, 5mA, 1 minute
 (frame-terminal/wires)

DC AXIAL FAN TYPE AV-F12025

MODEL	BEARING TYPE	RATED VOLTAGE (DC)	OPERATING VOLTAGE (DC)	CURRENT (A)	SPEED (RPM)	AIR FLOW (CFM)	STATIC PRESSURE (mmH2O)	NOISE LEVEL (dBA)	WEIGHT (g)
AV-F12025HS	SLEEVE	12	10.8-13.2	0.6	3000	79.25	2.57	32.48	130
AV-F12025MS	SLEEVE	12	10.8-13.2	0.35	2000	66.05	2.01	28	130
AV-F12025LS	SLEEVE	12	10.8-13.2	0.15	1000	52.58	1.37	24.43	130
AV-F12025HB	BALL	12	10.8-13.2	0.6	3000	79.25	2.57	32.48	130
AV-F12025MB	BALL	12	10.8-13.2	0.35	2000	66.05	2.01	28	130
AV-F12025LB	BALL	12	10.8-13.2	0.15	1000	52.58	1.37	24.43	130
AV-F12025HS24	SLEEVE	24	21.6-26.4	0.3	3000	79.25	2.57	32.48	130
AV-F12025MS24	SLEEVE	24	21.6-26.4	0.2	2000	66.05	2.01	28	130
AV-F12025LS24	SLEEVE	24	21.6-26.4	0.13	1000	52.58	1.37	24.43	130
AV-F12025HB24	BALL	24	21.6-26.4	0.3	3000	79.25	2.57	32.48	130
AV-F12025MB24	BALL	24	21.6-26.4	0.2	2000	66.05	2.01	28	130
AV-F12025LB24	BALL	24	21.6-26.4	0.13	1000	52.58	1.37	24.43	130



Units: mm





RxSOLUTIONS TECHNOLOGY Co Ltd

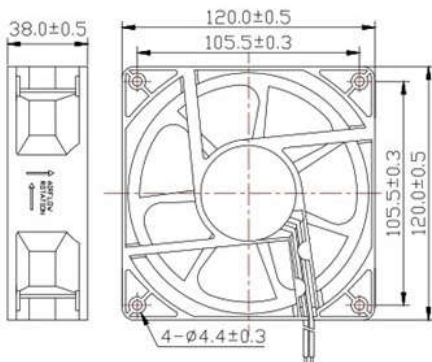
DC AXIAL FAN 120X38MM



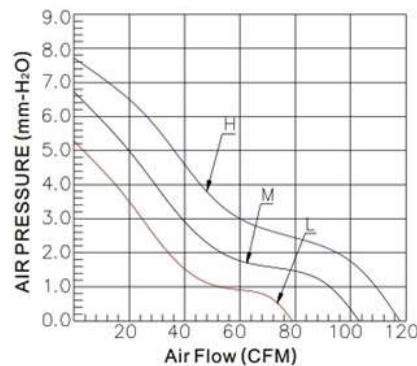
SIZE:
 120x120x38mm
CONSTRUCTION:
 Glass fiber reinforced thermoplastic
 Impeller and housing UL94V-0
OPERATING TEMPERATURE:
 Sleeve bearing -10C to +70C
INSULATION RESISTANCE:
 >10 megohm at 500VDC
 (frame-terminal/wires)
DIELECTRIC STRENGTH:
 500V/60HZ, 5mA, 1 minute
 (frame-terminal/wires)

DC AXIAL FAN TYPE AV-F12038

MODEL	BEARING TYPE	RATED VOLTAGE (DC)	OPERATING VOLTAGE (DC)	CURRENT (A)	SPEED (RPM)	AIR FLOW (CFM)	STATIC PRESSURE (mmH2O)	NOISE LEVEL (dBA)	WEIGHT (g)
AV-F12038HS	SLEEVE	12	10.8-13.2	1	4000	119.49	7.81	44.47	236
AV-F12038MS	SLEEVE	12	10.8-13.2	0.45	3000	107.54	6.66	41.51	236
AV-F12038LS	SLEEVE	12	10.8-13.2	0.3	2000	79.66	5.26	39.98	236
AV-F12038HB	BALL	12	10.8-13.2	1	4000	119.49	7.81	44.47	236
AV-F12038MB	BALL	12	10.8-13.2	0.45	3000	107.54	6.66	41.51	236
AV-F12038LB	BALL	12	10.8-13.2	0.3	2000	79.66	5.26	39.98	236
AV-F12038HS24	SLEEVE	24	21.6-26.4	0.75	4000	119.49	7.81	44.47	236
AV-F12038MS24	SLEEVE	24	21.6-26.4	0.3	3000	107.54	6.66	41.51	236
AV-F12038LS24	SLEEVE	24	21.6-26.4	0.2	2000	79.66	5.26	39.98	236
AV-F12038HB24	BALL	24	21.6-26.4	0.75	4000	119.49	7.81	44.47	236
AV-F12038MB24	BALL	24	21.6-26.4	0.3	3000	107.54	6.66	41.51	236
AV-F12038LB24	BALL	24	21.6-26.4	0.2	2000	79.66	5.26	39.98	236



Units: mm





RxSOLUTIONS TECHNOLOGY Co Ltd

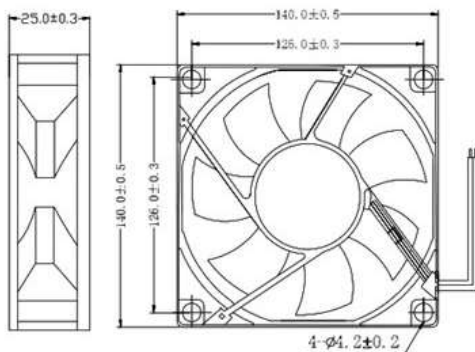
DC AXIAL FAN 140X25MM



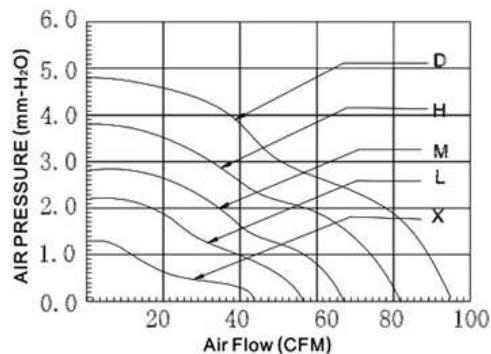
DC AXIAL FAN TYPE AV-F14025

SIZE:
 140x140x25mm
CONSTRUCTION:
 Glass fiber reinforced thermoplastic
 Impeller and housing UL94V-0
OPERATING TEMPERATURE:
 Sleeve bearing -10C to +70C
INSULATION RESISTANCE:
 >10 megohm at 500VDC
 (frame-terminal/wires)
DIELECTRIC STRENGTH:
 500V/60HZ, 5mA, 1 minute
 (frame-terminal/wires)

MODEL	BEARING TYPE	RATED VOLTAGE (DC)	OPERATING VOLTAGE (DC)	CURRENT (A)	SPEED (RPM)	AIR FLOW (CFM)	STATIC PRESSURE (mmH2O)	NOISE LEVEL (dBA)	WEIGHT (g)
AV-F14025HS	SLEEVE	12	10.8-13.2	0.6	3000	119.49	7.81	44.47	137
AV-F14025MS	SLEEVE	12	10.8-13.2	0.35	2000	107.54	6.66	41.51	137
AV-F14025LS	SLEEVE	12	10.8-13.2	0.2	1000	79.66	5.26	39.98	137
AV-F14025HB	BALL	12	10.8-13.2	0.6	3000	119.49	7.81	44.47	137
AV-F14025MB	BALL	12	10.8-13.2	0.35	2000	107.54	6.66	41.51	137
AV-F14025LB	BALL	12	10.8-13.2	0.2	1000	79.66	5.26	39.98	137
AV-F14025HS24	SLEEVE	24	21.6-26.4	0.4	3000	119.49	7.81	44.47	137
AV-F14025MS24	SLEEVE	24	21.6-26.4	0.25	2000	107.54	6.66	41.51	137
AV-F14025LS24	SLEEVE	24	21.6-26.4	0.15	1000	79.66	5.26	39.98	137
AV-F14025HB24	BALL	24	21.6-26.4	0.4	3000	119.49	7.81	44.47	137
AV-F14025MB24	BALL	24	21.6-26.4	0.25	2000	107.54	6.66	41.51	137
AV-F14025LB24	BALL	24	21.6-26.4	0.15	1000	79.66	5.26	39.98	137



Units: mm





RxSOLUTIONS TECHNOLOGY Co Ltd

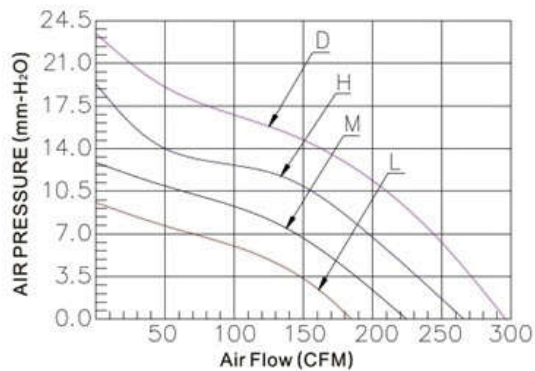
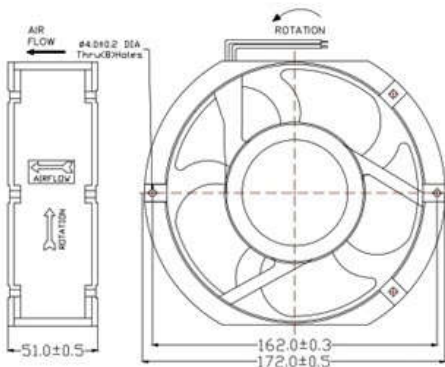
DC AXIAL FAN 175X51MM



DC AXIAL FAN TYPE AV-F17251

SIZE:
 172x172x51mm
 CONSTRUCTION:
 Glass fiber reinforced thermoplastic
 Impeller and housing UL94V-0
 OPERATING TEMPERATURE:
 Sleeve bearing -10C to +70C
 INSULATION RESISTANCE:
 >10 megohm at 500VDC
 (frame-terminal/wires)
 DIELECTRIC STRENGTH:
 500V/60HZ, 5mA, 1 minute
 (frame-terminal/wires)

MODEL	BEARING TYPE	RATED VOLTAGE (DC)	OPERATING VOLTAGE (DC)	CURRENT (A)	SPEED (RPM)	AIR FLOW (CFM)	STATIC PRESSURE (mmH2O)	NOISE LEVEL (dBA)	WEIGHT (g)
AV-F17251DB24	BALL	24	21.6-26.4	1.5	4000	296	24.04	74.4	769
AV-F17251HB24	BALL	24	21.6-26.4	1	3600	266	19.48	67	769
AV-F17251MB24	BALL	24	21.6-26.4	0.6	3000	222	13.54	55.8	769
AV-F17251LB24	BALL	24	21.6-26.4	0.4	2500	185	9.4	46.5	769
AV-F17251DB48	BALL	48	43.2-52.8	0.8	4000	296	24.04	74.4	769
AV-F17251HB48	BALL	48	43.2-52.8	0.6	3600	266	19.48	67	769
AV-F17251MB48	BALL	48	43.2-52.8	0.35	3000	222	13.54	55.8	769
AV-F17251LB48	BALL	48	43.2-52.8	0.15	2500	185	9.4	46.5	769



Units: mm



RxSOLUTIONS TECHNOLOGY Co Ltd

DC HI-PERFORMANCE AXIAL FANS 60X25mm



SIZE:
60x25mm
CONSTRUCTION:
Glass fiber reinforced thermoplastic
Impeller and housing UL94V-0
OPERATING TEMPERATURE:
Sleeve bearing -10C to +70C
INSULATION RESISTANCE:
>10 megohm at 500VDC
(frame-terminal/wires)
DIELECTRIC STRENGTH:
500V/60HZ, 5mA, 1 minute
(frame-terminal/wires)

DC hi-performance axial fan model AV-F6025

FRAME SIZE (mm)	MODEL	BEARING TYPE	RATED VOLTAGE (DC)	OPERATION VOLTAGE	CURRENT (A)	SPEED (RPM)	AIR FLOW (CFM)	STATIC PRESSURE (mmH2O)	NOISE LEVEL (DbA)	WEIGHT (g)
60*60*25	AV-F6025DB	Ball	12	6.0-13.8	0.8	9000	46.9	19.7	53	49.2
60*60*25	AV-F6025DB24	Ball	24	12.0-27.6	0.45	9000	46.9	19.7	53	49.2
60*60*25	AV-F6025DB48	Ball	48	24.0-55.2	0.2	9000	46.9	19.7	53	49.2



RxSOLUTIONS TECHNOLOGY Co Ltd

DC HI-PERFORMANCE AXIAL FANS 70X25mm



SIZE:
70x25mm
CONSTRUCTION:
Glass fiber reinforced thermoplastic
Impeller and housing UL94V-0
OPERATING TEMPERATURE:
Sleeve bearing -10C to +70C
INSULATION RESISTANCE:
>10 megohm at 500VDC
(frame-terminal/wires)
DIELECTRIC STRENGTH:
500V/60HZ, 5mA, 1 minute
(frame-terminal/wires)

DC hi-performance axial fan model AV-F7025

FRAME SIZE (mm)	MODEL	BEARING TYPE	RATED VOLTAGE (DC)	OPERATION VOLTAGE	CURRENT (A)	SPEED (RPM)	AIR FLOW (CFM)	STATIC PRESSURE (mmH2O)	NOISE LEVEL (DbA)	WEIGHT (g)
70*70*25	AV-F7025DB	Ball	12	6.0-13.8	0.8	7500	59.8	15	54	59.3
70*70*25	AV-F7025DB24	Ball	24	12.0-27.6	0.45	7500	59.8	15	54	59.3
70*70*25	AV-F7025DB48	Ball	48	24.0-55.2	0.2	7500	59.8	15	54	59.3



RxSOLUTIONS TECHNOLOGY Co Ltd

DC HI-PERFORMANCE AXIAL FANS 80X25mm



SIZE:
80x25mm
CONSTRUCTION:
Glass fiber reinforced thermoplastic
Impeller and housing UL94V-0
OPERATING TEMPERATURE:
Sleeve bearing -10C to +70C
INSULATION RESISTANCE:
>10 megohm at 500VDC
(frame-terminal/wires)
DIELECTRIC STRENGTH:
500V/60HZ, 5mA, 1 minute
(frame-terminal/wires)

DC hi-performance axial fan model AV-F8025

FRAME SIZE (mm)	MODEL	BEARING TYPE	RATED VOLTAGE (DC)	OPERATION VOLTAGE	CURRENT (A)	SPEED (RPM)	AIR FLOW (CFM)	STATIC PRESSURE (mmH2O)	NOISE LEVEL (DbA)	WEIGHT (g)
80*80*25	AV-F8025DB	Ball	12	6.0-13.8	0.8	5500	66.4	11.5	51	60.9
80*80*25	AV-F8025DB24	Ball	24	12.0-27.6	0.45	5500	66.4	11.5	51	60.9
80*80*25	AV-F8025DB48	Ball	48	24.0-55.2	0.2	5000	59.4	9	48	60.9
80*80*25	AV-F8025DB	Ball	12	6.0-13.8	0.8	5500	72.6	11.2	49	60.9
80*80*25	AV-F8025DB24	Ball	24	12.0-27.6	0.45	5500	72.6	11.2	49	60.9
80*80*25	AV-F8025DB48	Ball	48	24.0-55.2	0.2	5000	65.8	9.6	47	60.9



RxSOLUTIONS TECHNOLOGY Co Ltd

DC HI-PERFORMANCE AXIAL FANS 92X25mm



SIZE:
92x25mm
CONSTRUCTION:
Glass fiber reinforced thermoplastic
Impeller and housing UL94V-0
OPERATING TEMPERATURE:
Sleeve bearing -10C to +70C
INSULATION RESISTANCE:
>10 megohm at 500VDC
(frame-terminal/wires)
DIELECTRIC STRENGTH:
500V/60HZ, 5mA, 1 minute
(frame-terminal/wires)

DC hi-performance axial fan model AV-F9225

FRAME SIZE (mm)	MODEL	BEARING TYPE	RATED VOLTAGE (DC)	OPERATION VOLTAGE	CURRENT (A)	SPEED (RPM)	AIR FLOW (CFM)	STATIC PRESSURE (mmH2O)	NOISE LEVEL (DbA)	WEIGHT (g)
92*92*25	AV-F9225DB	Ball	12	6.0-13.8	0.8	4500	94.4	8.8	50	70
92*92*25	AV-F9225DB24	Ball	24	12.0-27.6	0.45	4500	94.4	8.8	50	70
92*92*25	AV-F9225DB48	Ball	48	24.0-55.2	0.2	4000	83.8	7.2	45	70



RxSOLUTIONS TECHNOLOGY Co Ltd

DC HI-PERFORMANCE AXIAL FANS 120X25mm



SIZE:
120x25mm
CONSTRUCTION:
Glass fiber reinforced thermoplastic
Impeller and housing UL94V-0
OPERATING TEMPERATURE:
Sleeve bearing -10C to +70C
INSULATION RESISTANCE:
>10 megohm at 500VDC
(frame-terminal/wires)
DIELECTRIC STRENGTH:
500V/60HZ, 5mA, 1 minute
(frame-terminal/wires)

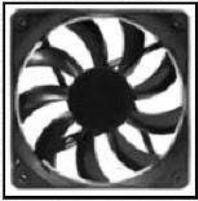
DC hi-performance axial fan model AV-F12025

FRAME SIZE (mm)	MODEL	BEARING TYPE	RATED VOLTAGE (DC)	OPERATION VOLTAGE	CURRENT (A)	SPEED (RPM)	AIR FLOW (CFM)	STATIC PRESSURE (mmH2O)	NOISE LEVEL (DbA)	WEIGHT (g)
120*120*25	AV-F12025DB	Ball	12	6.0-13.8	1	3500	141.1	7.3	50	130
120*120*25	AV-F12025DB24	Ball	24	12.0-27.6	0.5	3000	116.8	5	45	130
120*120*25	AV-F12025DB48	Ball	48	24.0-55.2	0.25	3000	116.8	5	45	130



RxSOLUTIONS TECHNOLOGY Co Ltd

DC HI-PERFORMANCE AXIAL FANS 120X32mm



HI PERFORMANCE DC AXIAL FAN TYPE AV-F12032

SIZE:

See table below

CONSTRUCTION:

Glass fiber reinforced thermoplastic

Impeller and housing UL94V-0

OPERATING TEMPERATURE:

Sleeve bearing -10C to +70C

INSULATION RESISTANCE:

>10 megohm at 500VDC

(frame-terminal/wires)

DIELECTRIC STRENGTH:

500V/60HZ, 5mA, 1 minute

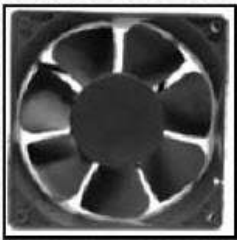
(frame-terminal/wires)

FRAME SIZE (mm)	MODEL	BEARING TYPE	RATED VOLTAGE (DC)	OPERATING VOLTAGE (DC)	CURRENT (A)	SPEED (RPM)	AIR FLOW (CFM)	STATIC PRESSURE (mmH2O)	NOISE LEVEL (DbA)	WEIGHT (g)
120*120*32	AV-F12032DB	Ball	12	6.0-13.8	2.6	6500	210	33	64	250
120*120*32	AV-F12032DB24	Ball	24	12.0-27.6	1.8	7000	224.4	34	68	250
120*120*32	AV-F12032DB48	Ball	48	24.0-55.2	0.9	7000	224.4	34	68	250



RxSOLUTIONS TECHNOLOGY Co Ltd

DC HI-PERFORMANCE AXIAL FANS 120X38mm



HI PERFORMANCE DC AXIAL FAN TYPE AV-F12038

SIZE:

See table below

CONSTRUCTION:

Glass fiber reinforced thermoplastic

Impeller and housing UL94V-0

OPERATING TEMPERATURE:

Sleeve bearing -10C to +70C

INSULATION RESISTANCE:

>10 megohm at 500VDC

(frame-terminal/wires)

DIELECTRIC STRENGTH:

500V/60HZ, 5mA, 1 minute

(frame-terminal/wires)

FRAME SIZE (mm)	MODEL	BEARING TYPE	RATED VOLTAGE (DC)	OPERATING VOLTAGE (DC)	CURRENT (A)	SPEED (RPM)	AIR FLOW (CFM)	STATIC PRESSURE (mmH2O)	NOISE LEVEL (DbA)	WEIGHT (g)
120*120*38	AV-F12038DB	Ball	12	6.0-13.8	2.8	5500	228.4	25.3	61	236
120*120*38	AV-F12038DB24	Ball	24	12.0-27.6	1.8	6000	249	32.2	64	236
120*120*38	AV-F12038DB48	Ball	48	24.0-55.2	1	6000	249	32.2	64	236



RxSOLUTIONS TECHNOLOGY Co Ltd

DC HI-PERFORMANCE AXIAL FANS 151X55mm



SIZE:

See table below

CONSTRUCTION:

Glass fiber reinforced thermoplastic
Impeller and housing UL94V-0

OPERATING TEMPERATURE:

Sleeve bearing -10C to +70C

INSULATION RESISTANCE:

>10 megohm at 500VDC

(frame-terminal/wires)

DIELECTRIC STRENGTH:

500V/60HZ, 5mA, 1 minute

(frame-terminal/wires)

HI PERFORMANCE DC AXIAL FAN TYPE AV-F15155

MODEL	FRAME SIZE (mm)	BEARING	TARED VOLTAGE (DC)	OPERATING VOLTAGE (DC)	CURRENT (A)	SPEED (RPM)	AIR FLOW (CFM)	STATIC PRESSURE (mm/Hg)	NOISE LEVEL (dB-A)	WEIGHT (gm)
AV-F15155DB24	151*55 dia	BALL	24	15.0-27.6	2.8	5000	353.6	40.4	70	740
AV-F15155DB48	151*55 dia	BALL	48	24.0-55.2	1.4	5000	353.6	40.4	70	740
AV-F15155DB24	151*55 dia	BALL	24	15.0-27.6	2.8	5000	345.4	54.8	69	756
AV-F15155DB48	151*55 dia	BALL	48	24.0-55.2	1.4	5000	345.4	54.8	69	756



RxSOLUTIONS TECHNOLOGY Co Ltd

DC HI-PERFORMANCE AXIAL FANS 172X51mm



SIZE: See table below

CONSTRUCTION:

Glass fiber reinforced thermoplastic

Impeller and housing UL94V-0

OPERATING TEMPERATURE:

Sleeve bearing -10C to +70C

INSULATION RESISTANCE:

>10 megohm at 500VDC

(frame-terminal/wires)

DIELECTRIC STRENGTH:

500V/60HZ, 5mA, 1 minute

(frame-terminal/wires)

HI PERFORMANCE DC AXIAL FAN TYPE AV-F17251

MODEL	FRAME SIZE (mm)	BEARING	RATED VOLTAGE (DC)	OPERATING VOLTAGE (DC)	CURRENT (A)	SPEED (RPM)	AIR FLOW (CFM)	STATIC PRESSURE (MM/Hg)	NOISE LEVEL (dB-A)	WEIGHT (gm)
AV-F17251DB24	172*51 dia	BALL	24	15.0-27.6	2.8	5000	349.5	45.2	68	800
AV-F17251DB48	172*51 dia	BALL	48	24.0-55.2	1.4	5000	349.5	45.2	68	800
AV-F17251DB24	172*51 dia	BALL	24	15.0-27.6	2.8	5000	347.9	54.9	66	830
AV-F17251DB48	172*51 dia	BALL	48	24.0-55.2	1.4	5000	347.9	54.9	66	830



RxSOLUTIONS TECHNOLOGY Co Ltd

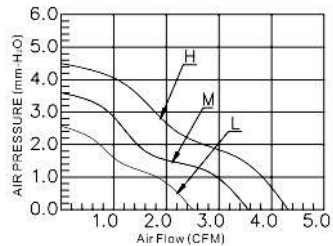
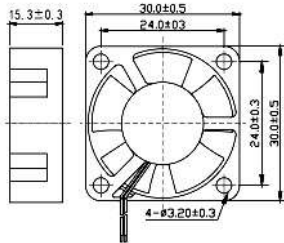
DC AXIAL FANS AV-F3015 (30X15mm)



DC axial fan model AV-F3015

SIZE:
 30x15mm
 OUTPUT:
 3.8-6.1 CFM
 CONSTRUCTION:
 Glass fiber reinforced thermoplastic
 Impeller and housing UL94V-0
 OPERATING TEMPERATURE:
 Sleeve bearing -10C to +70C
 INSULATION RESISTANCE:
 >10 megohm at 500VDC
 (frame-terminal/wires)
 DIELECTRIC STRENGTH:
 500V/60HZ, 5mA, 1 minute
 (frame-terminal/wires)

Model	Bearing Type	Rated Voltage	Operation Voltage	Current	Speed	Air Flow	Static Pressure	Noise Level	Weight
		VDC	VDC						
AV-F3015HS05	Sleeve	5	4.5-5.5	0.06	7000	3.8	2.79	<17	8.5
AV-F3015MS05	Sleeve	5	4.5-5.5	0.085	8000	4.4	3.81	20.5	8.5
AV-F3015HB05	Ball	5	4.5-5.5	0.11	9000	4.9	4.32	25	8.5
AV-F3015MB05	Ball	5	4.5-5.5	0.2	11000	5.7	6.35	30	8.5
AV-F3015HS	Sleeve	12	9-13.2	0.03	7000	3.8	2.79	<17	8.5
AV-F3015MS	Sleeve	12	7-13.2	0.04	8000	4.4	3.81	20.5	8.5
AV-F3015HB	Ball	12	7-13.2	0.45	9000	4.9	4.32	25	8.5
AV-F3015MB	Ball	12	7-13.2	0.09	11500	6.1	7.11	30	8.5





RxSOLUTIONS TECHNOLOGY Co Ltd

DC AXIAL FANS ZY-4510 (45X10mm)

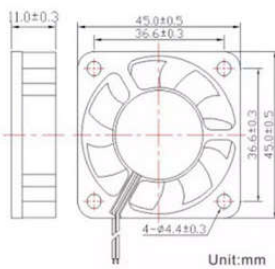


DC axial fan model ZY-4510

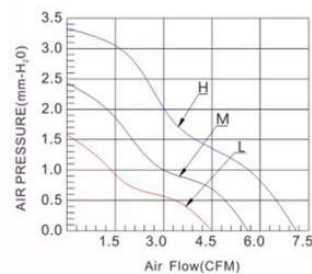
SIZE:
 45x10mm
 OUTPUT:
 4.5-7.22 CFM
 CONSTRUCTION:
 Glass fiber reinforced thermoplastic
 Impeller and housing UL94V-0
 OPERATING TEMPERATURE:
 Sleeve bearing -10C to +70C
 INSULATION RESISTANCE:
 >10 megohm at 500VDC
 (frame-terminal/wires)
 DIELECTRIC STRENGTH:
 500V/60HZ, 5mA, 1 minute
 (frame-terminal/wires)

Model	Bearing Type	Voltage	Rated Voltage	Current	Speed	Air Flow	Static Pressure	Noise	Weight
Part No.		VDC	VDC	Amp	RPM	CFM	mmH2O	dB-A	g
ZY-4510LS05	Sleeve	5V	4.5-5.5	0.12	4000	4.5	1.57	22.1	15
ZY-4510MS05		5V		0.16	5000	5.83	2.42	27.3	15
ZY-4510HS05		5V		0.2	6000	7.22	3.38	31.9	15
ZY-4510LB05	Ball	5V		0.12	4000	4.5	1.57	22.1	15
ZY-4510MB05		5V		0.16	5000	5.83	2.42	27.3	15
ZY-4510HB05		5V		0.2	6000	7.22	3.38	31.9	15
ZY-4510LS12	Sleeve	12V	10.8-13.2	0.08	4000	4.5	1.57	22.1	15
ZY-4510MS12		12V		0.1	5000	5.83	2.42	27.3	15
ZY-4510HS12		12V		0.15	6000	7.22	3.38	31.9	15
ZY-4510LB12	Ball	12V		0.08	4000	4.5	1.57	22.1	15
ZY-4510MB12		12V		0.1	5000	5.83	2.42	27.3	15
ZY-4510HB12		12V		0.15	6000	7.22	3.38	31.9	15

■ Dimensions Drawing(外观图)



■ Characteristic Curves (特性曲线)





RxSOLUTIONS TECHNOLOGY Co Ltd

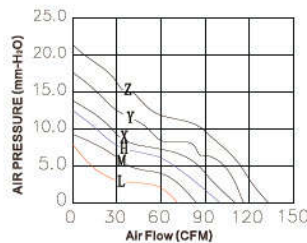
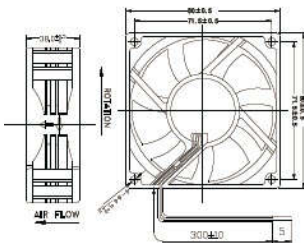
DC AXIAL FANS ZY-F8038 (80X38mm)



DC axial fan model ZY-F8038

SIZE:
 80x38mm
 OUTPUT:
 104.7-130.2 CFM
 CONSTRUCTION:
 Glass fiber reinforced thermoplastic
 Impeller and housing UL94V-0
 OPERATING TEMPERATURE:
 Sleeve bearing -10C to +70C
 INSULATION RESISTANCE:
 >10 megohm at 500VDC
 (frame-terminal/wires)
 DIELECTRIC STRENGTH:
 500V/60HZ, 5mA, 1 minute
 (frame-terminal/wires)

Model	Bearing Type	Rated Voltage	Operation Voltage	Current	Speed	Air Flow	Static Pressure	Noise Level	Weight
		VDC	VDC	A	RPM	CFM	mmH ₂ O	dBA	g
ZY-F8038HB	Ball	12	10.8-13.2	0.50	2500	104.7	14.50	53.5	78
ZY-F8038MB	Ball	12	10.8-13.2	0.80	3500	116.1	18.10	57.0	78
ZY-F8038LB	Ball	12	10.8-13.2	1.00	4500	130.2	22.00	59.3	78
ZY-F8038HB24	Ball	24	21.6-26.4	0.50	2500	104.7	14.50	53.5	78
ZY-F8038MB24	Ball	24	21.6-26.4	0.70	3500	116.1	18.10	57.0	78
ZY-F8038LB24	Ball	24	21.6-26.4	1.00	4500	130.2	22.00	59.3	78
ZY-F8038HB48	Ball	48	43.2-52.8	0.36	2500	104.7	14.50	53.5	78
ZY-F8038MB48	Ball	48	43.2-52.8	0.54	3500	116.1	18.10	57.0	78
ZY-F8038LB48	Ball	48	43.2-52.8	0.65	4500	130.2	22.00	59.3	78





RxSOLUTIONS TECHNOLOGY Co Ltd

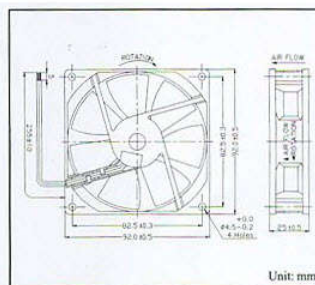
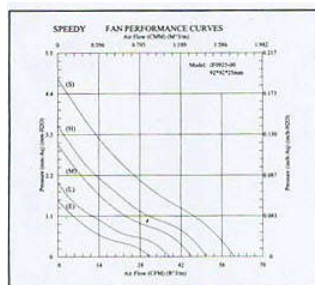
DC AXIAL FANS SD09025 (40X20mm)



DC axial fan model SD09025

SIZE:
 90x25mm
 OUTPUT:
 39.82-54.73 CFM
 CONSTRUCTION:
 Glass fiber reinforced thermoplastic
 Impeller and housing UL94V-0
 OPERATING TEMPERATURE:
 Sleeve bearing -10C to +70C
 INSULATION RESISTANCE:
 >10 megohm at 500VDC
 (frame-terminal/wires)
 DIELECTRIC STRENGTH:
 500V/60HZ, 5mA, 1 minute
 (frame-terminal/wires)

Model	Bearing	Rated Voltage (V)	Operating Voltage (V)	Air Flow (CFM)	Static Pressure (inchH ₂ O)	Speed (R.P.M.)	Input Current (Amp)	Input Power (Watt)	Nominal Power (Watt)	Noise (dBA)	Weight (g)
SD09025C1SR	Dual Ball	12	10.2 ~ 13.8	60.19	0.189	3200	0.31	3.72	0.32	38.7	95
SD09025C1H				50.61	0.139	2800	0.25	3.00	0.35	35.1	
SD09025G1M				45.64	0.119	2500	0.17	2.04	0.20	32.1	
SD09025C1L				37.98	0.079	2100	0.13	1.56	0.16	26.9	
SD09025C1E				31.32	0.060	1700	0.09	1.08	0.10	21.8	
SD09025S1SR	Sleeve			60.19	0.189	3200	0.31	3.72	0.32	38.7	
SD09025S1H				50.61	0.139	2800	0.27	3.24	0.35	35.1	
SD09025S1M				15.61	0.119	2500	0.17	2.04	0.20	32.1	
SD09025S1L				37.98	0.079	2100	0.13	1.56	0.16	26.9	
SD09025S1E				31.32	0.060	1700	0.09	1.08	0.10	21.8	
SD09025C2SR	Dual Ball	24	20.4 ~ 27.6	60.19	0.189	3200	0.18	4.32	0.16	38.7	
SD09025C2H				50.61	0.139	2800	0.15	3.60	0.19	35.1	
SD09025C2M				45.64	0.119	2500	0.11	2.64	0.15	32.1	
SD09025C2L				37.98	0.079	2100	0.08	1.92	0.13	28.9	
SD09025C2E				31.32	0.060	1700	0.06	1.44	0.07	21.8	
SD09025S2SR	Sleeve			60.19	0.189	3200	0.18	4.32	0.16	38.7	
SD09025S2H				50.61	0.139	2800	0.15	3.60	0.19	35.1	
SD09025S2M				45.64	0.119	2500	0.11	2.64	0.15	32.1	
SD09025S2L				37.98	0.079	2100	0.08	1.92	0.13	26.9	
SD09025S2E				31.32	0.060	1700	0.06	1.11	0.07	21.8	
SD09025C4U	Dual Ball	48	40.8 ~ 60.0	50.61	0.139	2800	0.09	4.32	0.09	35.1	
SD09025C4M				45.64	0.119	2500	0.08	3.84	0.08	32.1	
SD09025C4L				37.98	0.079	2100	0.06	2.88	0.06	28.9	
SD09025C4E				31.32	0.060	1700	0.05	2.40	0.05	21.8	





RxSOLUTIONS TECHNOLOGY Co Ltd

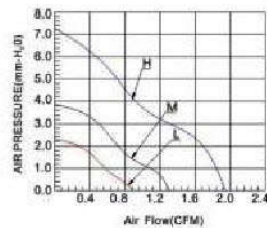
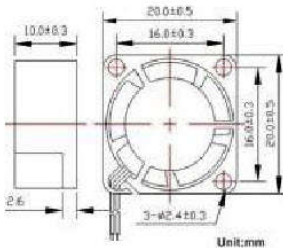
DC AXIAL FANS DFH2010 (20X10mm)



DC axial fan model DFH2010

SIZE:
 20x10mm
 OUTPUT:
 0.85-1.89 CFM
 CONSTRUCTION:
 Glass fiber reinforced thermoplastic
 Impeller and housing UL94V-0
 OPERATING TEMPERATURE:
 Sleeve bearing -10C to +70C
 INSULATION RESISTANCE:
 >10 megohm at 500VDC
 (frame-terminal/wires)
 DIELECTRIC STRENGTH:
 500V/60HZ, 5mA, 1 minute
 (frame-terminal/wires)

型号 Model	轴承类型 Bearing Type	电压 Rated Voltage	电压范围 Operation Voltage	电流 Current	转速 Speed	风量 Air Flow	风压 Static Pressure	噪音 Noise Level	重量 Weight
		VDC	VDC	A	RPM	CFM	mmH ₂ O	dBA	g
DFH2010S	Sleeve	5	4.5 ~ 5.5	0.20	18000	1.89	7.23	37.3	5.5
DFM2010S				0.15	12000	1.27	3.93	27.1	
DFL2010S				0.10	9000	0.85	2.32	20.6	
DFH2010S		12	10.8 ~ 13.2	0.15	18000	1.89	7.23	37.3	
DFM2010S				0.10	12000	1.27	3.93	27.1	
DFL2010S				0.07	9000	0.85	2.32	20.6	





RxSOLUTIONS TECHNOLOGY Co Ltd

DC AXIAL FANS ZY-F9846HB (98X46mm CLOTHING KIT)

This kit provides all the necessary components for electric jacket or shirt cooling



Typical application



DETAILS:

Fans 98 dia x 46mm
Input voltage: 6.0-7.4VDC
Impeller speed: 6500 RPM
Airflow: 8.45CFM/fan
Static pressure: 5.70 mm/H2O
Bearing type: Sleeve
Motor type: Brushless
Electrical connections: Cable assembly with DC jack plugs and USB-AM connectors.
Lithium battery pack with AC charger
Protection: Finger guard on fans
Color: Black, white
Weight: 138 GM

Usually sold as a 2-fan + powerbank set

For further information please contact our [Customer Service Department](#)



The typical clothing kit shown comprises:

Fans 2pc
Cable assembly 1pc
Battery pack 1pc
Battery charger 1pc



RxSOLUTIONS TECHNOLOGY Co Ltd

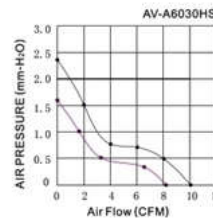
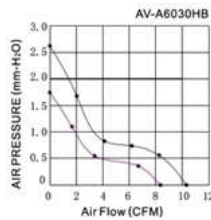
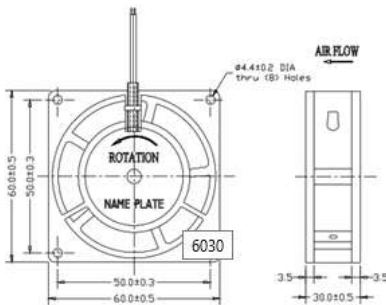
AC AXIAL FAN 60X30MM



AC axial fan type AV-A6030

SIZE: 60x60x30mm
 CONSTRUCTION:
 Black die-cast aluminum housing
 Glass fiber reinforced thermoplastic impeller UL94V-0
 MOTOR:
 Shaded pole, Impedance protected
 CONNECTION:
 Wire or terminal
 OPERATING TEMPERATURE:
 Ball bearing -30 to +75, sleeve bearing -10C to +70C
 INSULATION RESISTANCE:
 >10 megohm at 500VDC, (frame-terminal/wires)
 DIELECTRIC STRENGTH:
 500V/60HZ, 5mA, 1 minute, (frame-terminal/wires)

MODEL	BEARING TYPE	RATED VOLTAGE (VAC)	FREQUENCY (HZ)	CURRENT (A)	POWER (W)	SPEED (RPM)	NOISE LEVEL (dBA)	AIR FLOW (M ² /M)	AIR FLOW (CFM)	STATIC PRESSURE (mmH ₂ O)	WEIGHT (g)
AV-A6030HS10	Sleeve	100-125	50/60	0.034-0.042	5/4	2550/3100	27/28	13.8/17.5	8.1/10.3	1.7/2.8	145
AV-A6030HS20	Sleeve	220-240	50/60	0.022-0.020	5/4	2550/3100	27/28	13.8/17.5	8.1/10.3	1.7/2.8	14
AV-A6030HB10	Ball	100-125	50/60	0.034-0.042	5/4	2550/3100	27/28	13.8/17.5	8.1/10.3	1.7/2.8	145
AV-A6030HB20	Ball	220-240	50/60	0.022-0.020	5/4	2550/3100	27/28	13.8/17.5	8.1/10.3	1.7/2.8	145



Key
 — 60Hz
 — 30Hz

Units: mm



DOWNLOAD CATALOG



RxSOLUTIONS TECHNOLOGY Co Ltd

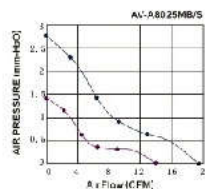
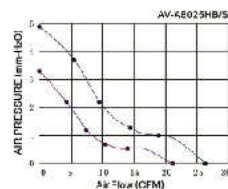
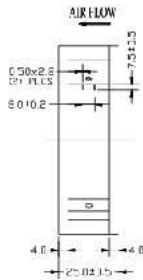
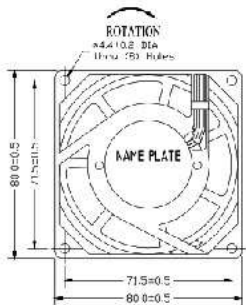
AC AXIAL FAN 80X25MM



SIZE: 80x25mm
 CONSTRUCTION:
 Black die-cast aluminum housing
 Glass fiber reinforced thermoplastic impeller UL94V
 MOTOR:
 Shaded pole, Impedance protected
 CONNECTION:
 Wire or terminal
 OPERATING TEMPERATURE:
 Ball bearing -30 to +75, sleeve bearing -10C to +70C
 INSULATION RESISTANCE:
 >10 megohm at 500VDC, (frame-terminal/wires)
 DIELECTRIC STRENGTH:
 500V/60HZ, 5mA, 1 minute, (frame-terminal/wires)

AC FAN TYPE AV-A8025

MODEL	BEARING TYPE	RATED VOLTAGE (VAC)	FREQUENCY (HZ)	CURRENT (A)	POWER (W)	SPEED (RPM)	NOISE LEVEL (dBA)	AIR FLOW (M2/M)	AIR FLOW (CFM)	STATIC PRESSURE (mmH2O)	WEIGHT (g)
AV-A8025HB10	Ball	115	50/60	0.12/0.1	14/13.5	2300/2800	29/33	0.51/0.62	18/22	3.3/4.83	208
AV-A8025HS10	Sleeve	115	50/60	0.12/0.1	14/13.5	2300/2800	29/33	0.51/0.62	18/22	3.3/4.83	208
AV-A8025MB10	Ball	115	50/60	0.09/0.08	11/10	2000/2200	20/21	0.42/0.49	15/17	2.7/2.6	208
AV-A8025MS10	Sleeve	115	50/60	0.09/0.08	11/10	2000/2200	20/21	0.42/0.49	15/17	2.7/2.6	208
AV-A8025HB20	Ball	220-240	50/60	0.08/0.07	14/13.5	2300/2800	29/33	0.51/0.62	18/22	3.3/4.83	208
AV-A8025HS20	Sleeve	220-240	50/60	0.08/0.07	14/13.5	2300/2800	29/33	0.51/0.62	18/22	3.3/4.83	208
AV-A8025MB20	Ball	220-240	50/60	0.06/0.06	11/10	2000/2200	20/21	0.42/0.49	15/17	2.7/2.6	208
AV-A8025MS20	Sleeve	220-240	50/60	0.06/0.06	11/10	2000/2200	20/21	0.42/0.49	15/17	2.7/2.6	208
AV-A8025HB30	Ball	380	50	0.07	14	2300	29	0.51	18	3.3	208
AV-A8025HB30	Sleeve	380	50	0.07	14	2300	29	0.51	18	3.3	208



60±
 50±

Units: mm



RxSOLUTIONS TECHNOLOGY Co Ltd

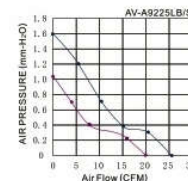
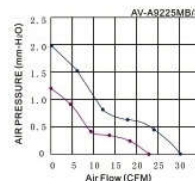
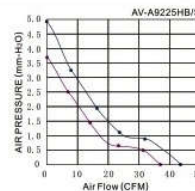
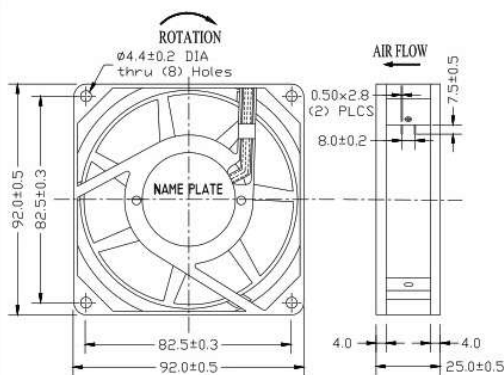
AC AXIAL FAN 92X25MM



SIZE: 92x25mm
 CONSTRUCTION:
 Black die-cast aluminum housing
 Glass fiber reinforced thermoplastic impeller UL94V-0
 MOTOR:
 Shaded pole, Impedance protected
 CONNECTION:
 Wire or terminal
 OPERATING TEMPERATURE:
 Ball bearing -30 to +75, sleeve bearing -10C to +70C
 INSULATION RESISTANCE:
 >10 megohm at 500VDC, (frame-terminal/wires)
 DIELECTRIC STRENGTH:
 500V/60HZ, 5mA, 1 minute, (frame-terminal/wires)

AC FAN TYPE AV-A9255

MODEL	BEARING TYPE	RATED VOLTAGE (VAC)	FREQUENCY (HZ)	CURRENT (A)	POWER (W)	SPEED (RPM)	NOISE LEVEL (dBA)	AIR FLOW (M ³ /M)	AIR FLOW (CFM)	STATIC PRESSURE (mmH ₂ O)	WEIGHT (g)
AV-A9225HB10	Ball	115	50/60	0.12/0.1	14/13.5	2500/2900	32/37	0.85/1.05	30/37	3.3/4.83	240
AV-A9225HS10	Sleeve	115	50/60	0.12/0.1	14/13.5	2500/2900	32/37	0.85/1.05	30/37	3.3/4.83	240
AV-A9225MB10	Ball	115	50/60	0.09/0.08	11/10	2300/2600	25/33	0.71/0.85	25/30	3.0/3.5	240
AV-A9225MS10	Sleeve	115	50/60	0.09/0.08	11/10	2300/2600	25/33	0.71/0.85	25/30	3.0/3.5	240
AV-A9225LB10	Ball	115	50/60	0.07/0.07	9/8	2000/2200	22/24	0.6/0.62	21/22	2.7/2.6	240
AV-A9225LS10	Sleeve	115	50/60	0.07/0.07	9/8	2000/2200	22/24	0.6/0.62	21/22	2.7/2.6	240
AV-A9225HB20	Ball	220-240	50/60	0.08/0.07	16/15	2500/2900	32/37	0.85/1.05	30/37	3.3/4.83	240
AV-A9225HS20	Sleeve	220-240	50/60	0.08/0.07	16/15	2500/2900	32/37	0.85/1.05	30/37	3.3/4.83	240
AV-A9225MB20	Ball	220-240	50/60	0.07/0.06	13/12	2300/2600	25/33	0.71/0.85	25/30	3.0/3.5	240
AV-A9225MS20	Sleeve	220-240	50/60	0.07/0.06	13/12	2300/2600	25/33	0.71/0.85	25/30	3.0/3.5	240
AV-A9225LB20	Ball	220-240	50/60	0.05/0.05	9/8	2000/2200	22/24	0.6/0.62	21/22	2.7/2.6	240
AV-A9225LS20	Sleeve	220-240	50/60	0.05/0.05	9/8	2000/2200	22/24	0.6/0.62	21/22	2.7/2.6	240
AV-A9225HB30	Ball	380	50	0.07	14	2500	32	0.85	30	3.3	240
AV-A9225HS30	Sleeve	380	50	0.07	14	2500	32	0.85	30	3.3	240



Units: mm



RxSOLUTIONS TECHNOLOGY Co Ltd

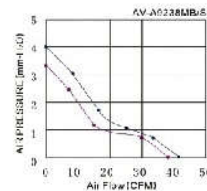
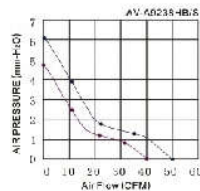
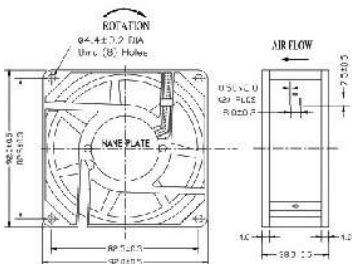
AC AXIAL FAN 92X38MM



AC FAN TYPE AV-A9238

SIZE: 92x38mm
CONSTRUCTION:
 Black die-cast aluminum housing
 Glass fiber reinforced thermoplastic impeller UL94V-0
MOTOR:
 Shaded pole, Impedance protected
CONNECTION:
 Wire or terminal
OPERATING TEMPERATURE:
 Ball bearing -30 to +75, sleeve bearing -10C to +70C
INSULATION RESISTANCE:
 >10 megohm at 500VDC, (frame-terminal/wires)
DIELECTRIC STRENGTH:
 500V/60HZ, 5mA, 1 minute, (frame-terminal/wires)

MODEL	BEARING TYPE	RATED VOLTAGE (VAC)	FREQUENCY (HZ)	CURRENT (A)	POWER (W)	SPEED (RPM)	NOISE LEVEL (dBA)	AIR FLOW (M2/M)	AIR FLOW (CFM)	STATIC PRESSURE (mmH2O)	WEIGHT (g)
AV-A9238HB10	Ball	115	50/60	0.16/0.14	16/14	2400/2900	32/36	1.22/1.42	43/50	4.5/5.5	350
AV-A9238HS10	Sleeve	115	50/60	0.16/0.14	16/14	2400/2900	32/36	1.22/1.42	43/50	4.5/5.5	350
AV-A9238MB10	Ball	115	50/60	0.13/0.11	14/12	2200/2400	27/31	0.79/0.91	28/32	3.5/4.2	350
AV-A9238MS10	Sleeve	115	50/60	0.13/0.11	14/12	2200/2400	27/31	0.79/0.91	28/32	3.5/4.2	350
AV-A9238LB10	Ball	115	50/60	0.10/0.09	10/9	1800/1600	20/18	0.68/0.65	24/23	3.0/2.7	350
AV-A9238LS10	Sleeve	115	50/60	0.10/0.09	10/9	1800/1600	20/18	0.68/0.65	24/23	3.0/2.7	350
AV-A9238HB20	Ball	220-240	50/60	0.12/0.11	18/16	2400/2900	32/36	1.22/1.42	43/50	4.5/5.5	350
AV-A9238HS20	Sleeve	220-240	50/60	0.12/0.11	18/16	2400/2900	32/36	1.22/1.42	43/50	4.5/5.5	350
AV-A9238MB20	Ball	220-240	50/60	0.09/0.08	14/12	2200/2400	27/31	0.79/0.91	28/32	3.5/4.2	350
AV-A9238MS20	Sleeve	220-240	50/60	0.09/0.08	14/12	2200/2400	27/31	0.79/0.91	28/32	3.5/4.2	350
AV-A9238LB20	Ball	220-240	50/60	0.08/0.07	10/9	1800/1600	20/18	0.68/0.65	24/23	3.0/2.7	350
AV-A9238LS20	Sleeve	220-240	50/60	0.08/0.07	10/9	1800/1600	20/18	0.68/0.65	24/23	3.0/2.7	350
AV-A9238HB30	Ball	380	50	0.09	17	2400	32	1.22	43	4.5	350
AV-A9238HS30	Sleeve	380	50	0.09	17	2400	32	1.22	43	4.5	350



Key
 — 60Hz
 — 50Hz

Units: mm



RxSOLUTIONS TECHNOLOGY Co Ltd

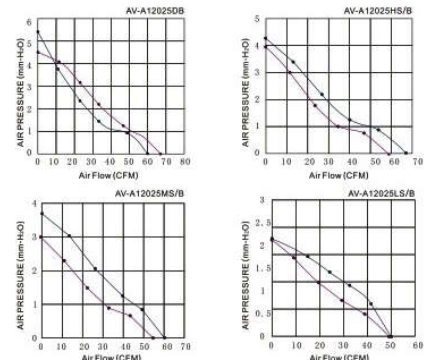
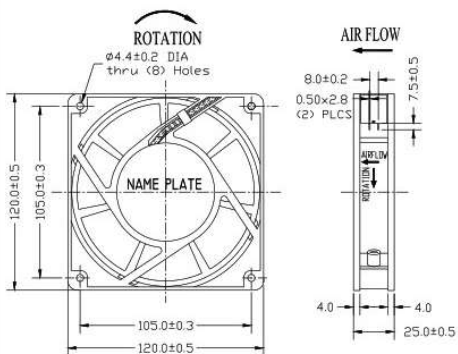
AC AXIAL FAN 120X25MM



AC FAN TYPE AV-A12025

SIZE: 120x25mm
 CONSTRUCTION:
 Black die-cast aluminum housing
 Glass fiber reinforced thermoplastic impeller UL94V-0
 MOTOR:
 Shaded pole, Impedance protected
 CONNECTION:
 Wire or terminal
 OPERATING TEMPERATURE:
 Ball bearing -30 to +75, sleeve bearing -10C to +70C
 INSULATION RESISTANCE:
 >10 megohm at 500VDC, (frame-terminal/wires)
 DIELECTRIC STRENGTH:
 500V/60HZ, 5mA, 1 minute, (frame-terminal/wires)

MODEL	BEARING TYPE	RATED VOLTAGE (VAC)	FREQUENCY (HZ)	CURRENT (A)	POWER (W)	SPEED (RPM)	NOISE LEVEL (dBA)	AIR FLOW M2/M	AIR FLOW (CFM)	STATIC PRESSURE (mmH2O)	WEIGHT (g)
AV-A12025HB10	Ball	115	50/60	0.19/0.18	19/18	2200/2400	38/40	1.87/2.21	66/78	3.56/4.06	370
AV-A12025HS10	Sleeve	115	50/60	0.19/0.18	19/18	2200/2400	38/40	1.87/2.21	66/78	3.56/4.06	370
AV-A12025MB10	Ball	115	50/60	0.16/0.15	16/15	2000/2000	35/35	1.64/1.64	58/58	3.0/3.2	370
AV-A12025MS10	Sleeve	115	50/60	0.16/0.15	16/15	2000/2000	35/35	1.64/1.64	58/58	3.0/3.2	370
AV-A12025LB10	Ball	115	50/60	0.13/0.11	14/13	1800/1700	30/29	1.4/1.36	50/48	2.78/2.68	370
AV-A12025LS10	Sleeve	115	50/60	0.13/0.11	14/13	1800/1700	30/29	1.4/1.36	50/48	2.78/2.68	370
AV-A12025HB20	Ball	220-240	50/60	0.09/0.09	19/18	2200/2400	38/40	1.87/2.21	66/78	3.56/4.06	370
AV-A12025HS20	Sleeve	220-240	50/60	0.09/0.09	19/18	2200/2400	38/40	1.87/2.21	66/78	3.56/4.06	370
AV-A12025MB20	Ball	220-240	50/60	0.07/0.07	16/15	2000/2000	35/35	1.64/1.64	58/58	3.0/3.2	370
AV-A12025MS20	Sleeve	220-240	50/60	0.07/0.07	16/15	2000/2000	35/35	1.64/1.64	58/58	3.0/3.2	370
AV-A12025LB20	Ball	220-240	50/60	0.05/0.05	14/13	1800/1700	30/29	1.4/1.36	50/48	2.78/2.68	370
AV-A12025LS20	Sleeve	220-240	50/60	0.05/0.05	14/13	1800/1700	30/29	1.4/1.36	50/48	2.78/2.68	370
AV-A12025HB30	Ball	380	50	0.06	14	2200	38	1.87	66	3.56	370
AV-A12025HS30	Sleeve	380	50	0.06	14	2200	38	1.87	66	3.56	370



Key
 — 60Hz
 — 50Hz

Units: mm



RxSOLUTIONS TECHNOLOGY Co Ltd

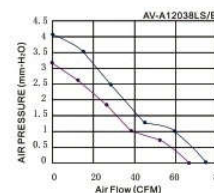
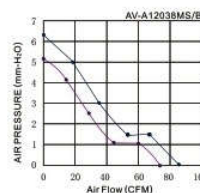
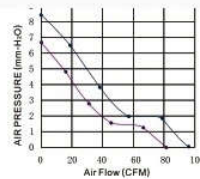
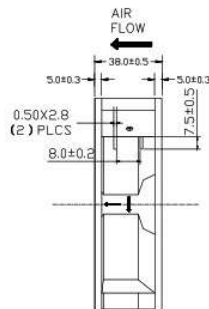
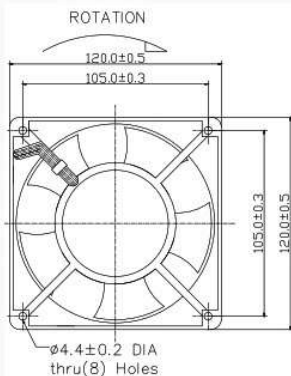
AC AXIAL FAN 120X38MM



AC FAN TYPE AV-A12038(5) STANDARD OUTPUT

SIZE: 120x38
 CONSTRUCTION:
 Black die-cast aluminum housing
 Glass fiber reinforced thermoplastic impeller UL94V-0
 MOTOR:
 Shaded pole, Impedance protected
 CONNECTION:
 Wire or terminal
 OPERATING TEMPERATURE:
 Ball bearing -30 to +75, sleeve bearing -10C to +70C
 INSULATION RESISTANCE:
 >10 megohm at 500VDC, (frame-terminal/wires)
 DIELECTRIC STRENGTH:
 500V/60HZ, 5mA, 1 minute, (frame-terminal/wires)

MODEL	BEARING TYPE	RATED VOLTAGE (VAC)	FREQUENCY (HZ)	CURRENT (A)	POWER (W)	SPEED (RPM)	NOISE LEVEL (dBA)	AIR FLOW (M2/M)	AIR FLOW (CFM)	STATIC PRESSURE (mmH2O)	WEIGHT (g)
AV-A12038HB10	Ball	115	50/60	0.22/0.18	21/18	2650/2950	40/45	2.58/3.2	91/113	6.35/7.62	540
AV-A12038HS10	Sleeve	115	50/60	0.22/0.18	21/18	2650/2950	40/45	2.58/3.2	91/113	6.35/7.62	540
AV-A12038MB10	Ball	115	50/60	0.17/0.15	16/14	2400/2200	37/35	2.1/2.0	75/70	5.6/5.0	540
AV-A12038MS10	Sleeve	115	50/60	0.17/0.15	16/14	2400/2200	37/35	2.1/2.0	75/70	5.6/5.0	540
AV-A12038LB10	Ball	115	50/60	0.14/0.12	12/10.5	2000/1800	30/29	1.87/1.7	66/60	4.8/4.5	540
AV-A12038LS10	Sleeve	115	50/60	0.14/0.12	12/10.5	2000/1800	30/29	1.87/1.7	66/60	4.8/4.5	540
AV-A12038HB20	Ball	220-240	50/60	0.12/0.11	21/18	2650/2950	40/45	2.58/3.2	91/113	6.35/7.62	540
AV-A12038HS20	Sleeve	220-240	50/60	0.12/0.11	21/18	2650/2950	40/45	2.58/3.2	91/113	6.35/7.62	540
AV-A12038MB20	Ball	220-240	50/60	0.09/0.08	16/14	2400/2200	37/35	2.1/2.0	75/70	5.6/5.0	540
AV-A12038MS20	Sleeve	220-240	50/60	0.09/0.08	16/14	2400/2200	37/35	2.1/2.0	75/70	5.6/5.0	540
AV-A12038LB20	Ball	220-240	50/60	0.08/0.08	12/10.5	2000/1800	30/29	1.87/1.7	66/60	4.8/4.5	540
AV-A12038LS20	Sleeve	220-240	50/60	0.08/0.08	12/10.5	2000/1800	30/29	1.87/1.7	66/60	4.8/4.5	540
AV-A12038HB30	Ball	380	50	0.07	18	2600	40	2.58	91	6.35	540
AV-A12038HS30	Sleeve	380	50	0.07	18	2600	40	2.58	91	6.35	540



Key
 — 60Hz
 — 50Hz

Units: mm



RxSOLUTIONS TECHNOLOGY Co Ltd

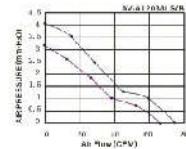
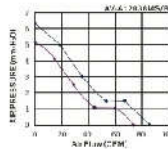
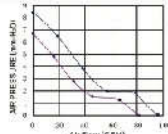
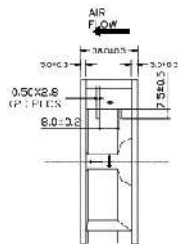
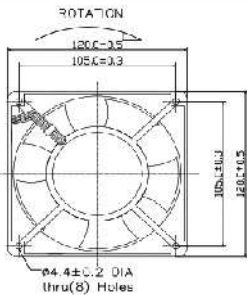
HI OUTPUT AC AXIAL FAN 120X38MM



AC FAN TYPE AV-A12038(7) HIGH OUTPUT

SIZE: 120x38mm
 CONSTRUCTION:
 Black die-cast aluminum housing
 Glass fiber reinforced thermoplastic impeller UL94V-0
 MOTOR:
 Shaded pole, Impedance protected
 CONNECTION:
 Wire or terminal
 OPERATING TEMPERATURE:
 Ball bearing -30 to +75, sleeve bearing -10C to +70C
 INSULATION RESISTANCE:
 >10 megohm at 500VDC, (frame-terminal/wires)
 DIELECTRIC STRENGTH:
 500V/60HZ, 5mA, 1 minute, (frame-terminal/wires)

MODEL	BEARING TYPE	RATED VOLTAGE (VAC)	FREQUENCY (HZ)	CURRENT (A)	POWER (W)	SPEED (RPM)	NOISE LEVEL (dBA)	AIR FLOW (M2/M)	AIR FLOW (CFM)	STATIC PRESSURE (mmH2O)	WEIGHT (g)
AV-A12038HB10	Ball	115	50/60	0.22/0.18	21/18	2550/2950	40/45	2.72/3.37	96/119	6.67/8.01	540
AV-A12038HS10	Sleeve	115	50/60	0.22/0.18	21/18	2550/2950	40/45	2.72/3.37	96/119	6.67/8.01	540
AV-A12038MB10	Ball	115	50/60	0.17/0.15	16/14	2400/2200	37/35	2.4/2.21	85/78	4.9/4.5	540
AV-A12038MS10	Sleeve	115	50/60	0.17/0.15	16/14	2400/2200	37/35	2.4/2.21	85/78	4.9/4.5	540
AV-A12038LB10	Ball	115	50/60	0.14/0.12	12/10.5	2000/1800	30/29	2.00/1.93	74/68	4.0/3.7	540
AV-A12038LS10	Sleeve	115	50/60	0.14/0.12	12/10.5	2000/1800	30/29	2.00/1.93	74/68	4.0/3.7	540
AV-A12038HB20	Ball	220-40	50/60	0.12/0.11	20/19	2550/2950	40/45	2.72/3.37	96/119	6.67/8.01	540
AV-A12038HS20	Sleeve	220-240	50/60	0.12/0.11	20/19	2550/2950	40/45	2.72/3.37	96/119	6.67/8.01	540
AV-A12038MB20	Ball	220-240	50/60	0.09/0.08	16/14	2400/2200	37/35	2.4/2.21	85/78	4.9/4.5	540
AV-A12038MS20	Sleeve	220-240	50/60	0.09/0.08	16/14	2400/2200	37/35	2.4/2.21	85/78	4.9/4.5	540
AV-A12038LB20	Ball	220-240	50/60	0.08/0.08	12/10.5	2000/1800	30/29	2.00/1.93	74/68	4.0/3.7	540
AV-A12038LS20	Sleeve	220-240	50/60	0.08/0.08	12/10.5	2000/1800	30/29	2.00/1.93	74/68	4.0/3.7	540
AV-A12038HB30	Ball	380	50	0.06	18	2550	40	2.72	96	6.67	540
AV-A12038HS30	Sleeve	380	50	0.06	18	2550	40	2.72	96	6.67	540



— 50%
 — 75%
 — 90%

Units: mm



RxSOLUTIONS TECHNOLOGY Co Ltd

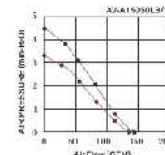
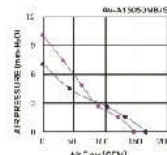
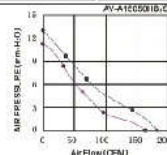
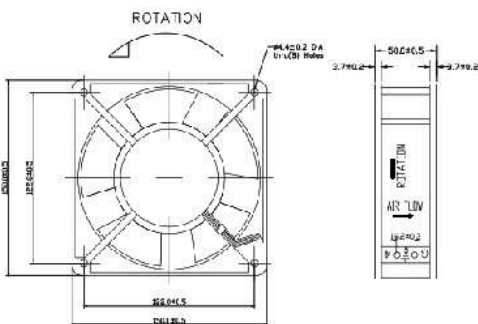
AC AXIAL FAN 150X50MM



AC FAN TYPE AV-A15050

SIZE: 150x50mm
 CONSTRUCTION:
 Black die-cast aluminum housing
 Glass fiber reinforced thermoplastic impeller UL94V-0
 MOTOR:
 Shaded pole, Impedance protected
 CONNECTION:
 Wire or terminal
 OPERATING TEMPERATURE:
 Ball bearing -30 to +75, sleeve bearing -10C to +70C
 INSULATION RESISTANCE:
 >10 megohm at 500VDC, (frame-terminal/wires)
 DIELECTRIC STRENGTH:
 500V/60HZ, 5mA, 1 minute, (frame-terminal/wires)

MODEL	BEARING TYPE	RATED VOLTAGE (VAC)	FREQUENCY (HZ)	CURRENT (A)	POWER (W)	SPEED (RPM)	NOISE LEVEL (dBA)	AIR FLOW (M2/M)	AIR FLOW (CFM)	STATIC PRESSURE (mmH2O)	WEIGHT (g)
AV-A15050HB10	Ball	115	50/60	0.50/0.45	37/36	2700/3100	45/50	5.37/6.65	190/235	16.0/17.78	850
AV-A15050HS10	Sleeve	115	50/60	0.50/0.45	37/36	2700/3100	45/50	5.37/6.65	190/235	16.0/17.78	850
AV-A15050MB10	Ball	115	50/60	0.41/0.39	32/30	2400/2300	41/40	4.0/4.5	170/160	15/14	850
AV-A15050MS10	Sleeve	115	50/60	0.41/0.39	32/30	2400/2300	41/40	4.0/4.5	170/160	15/14	850
AV-A15050LB10	Ball	115	50/60	0.35/0.35	26/25	1900/1500	32/30	3.5/3.0	125/105	8/6	850
AV-A15050LS10	Sleeve	115	50/60	0.35/0.35	26/25	1900/1500	32/30	3.5/3.0	125/105	8/6	850
AV-A15050HB20	Ball	220-240	50/60	0.22/0.21	34/33	2700/3100	45/50	5.37/6.65	190/235	16.0/17.78	850
AV-A15050HS20	Sleeve	220-240	50/60	0.22/0.21	34/33	2700/3100	45/50	5.37/6.65	190/235	16.0/17.78	850
AV-A15050MB20	Ball	220-240	50/60	0.19/0.18	30/28	2400/2300	41/40	4.0/4.5	170/160	15/14	850
AV-A15050MS20	Sleeve	220-240	50/60	0.19/0.18	30/28	2400/2300	41/40	4.0/4.5	170/160	15/14	850
AV-A15050LB20	Ball	220-240	50/60	0.16/0.16	26/25	1900/1500	32/30	3.5/3.0	125/105	8/6	850
AV-A15050LS20	Sleeve	220-240	50/60	0.16/0.16	26/25	1900/1500	32/30	3.5/3.0	125/105	8/6	850
AV-A15050HB30	Ball	380	50	0.11	34	2700	45	5.37	190	15	850
AV-A15050HS30	Sleeve	380	50	0.11	34	2700	45	5.37	190	15	850



100%
 80%
 60%

Units: mm



RxSOLUTIONS TECHNOLOGY Co Ltd

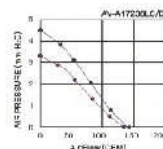
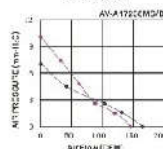
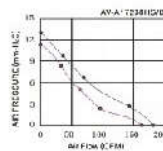
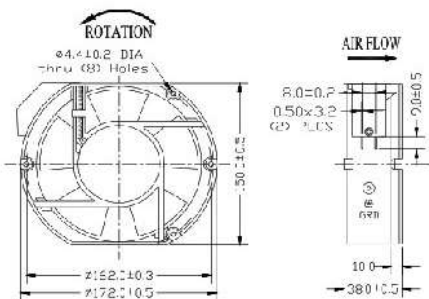
AC AXIAL FAN 172X38MM



AC FAN TYPE AV-A17238

SIZE: 172x38mm
 CONSTRUCTION:
 Black die-cast aluminum housing
 Glass fiber reinforced thermoplastic impeller UL94V-0
 MOTOR:
 Shaded pole, Impedance protected
 CONNECTION:
 Wire or terminal
 OPERATING TEMPERATURE:
 Ball bearing -30 to +75, sleeve bearing -10C to +70C
 INSULATION RESISTANCE:
 >10 megohm at 500VDC, (frame-terminal/wires)
 DIELECTRIC STRENGTH:
 500V/60HZ, 5mA, 1 minute, (frame-terminal/wires)

MODEL	BEARING TYPE	RATED VOLTAGE (VAC)	FREQUENCY (HZ)	CURRENT (A)	POWER (W)	SPEED (RPM)	NOISE LEVEL (dBA)	AIR FLOW (M2/M)	AIR FLOW (CFM)	STATIC PRESSURE (mmH2O)	WEIGHT (g)
AV-A17238HB10	Ball	115	50/60	0.50/0.45	37/36	2700/3100	45/50	5.37/6.65	190/235	16.0/17.78	908
AV-A17238HS10	Sleeve	115	50/60	0.50/0.45	37/36	2700/3100	45/50	5.37/6.65	190/235	16.0/17.78	908
AV-A17238MB10	Ball	115	50/60	0.41/0.39	32/30	2400/2300	41/40	4.0/4.5	170/160	15/14	908
AV-A17238MS10	Sleeve	115	50/60	0.41/0.39	32/30	2400/2300	41/40	4.0/4.5	170/160	15/14	908
AV-A17238LB10	Ball	115	50/60	0.35/0.35	26/25	1900/1500	32/30	3.5/3.0	125/105	8/6	908
AV-A17238LS10	Sleeve	115	50/60	0.35/0.35	26/25	1900/1500	32/30	3.5/3.0	125/105	8/6	908
AV-A17238HB20	Ball	220-240	50/60	0.22/0.21	34/33	2700/3100	45/50	5.37/6.65	190/235	16.0/17.78	908
AV-A17238HS20	Sleeve	220-240	50/60	0.22/0.21	34/33	2700/3100	45/50	5.37/6.65	190/235	16.0/17.78	908
AV-A17238MB20	Ball	220-240	50/60	0.19/0.18	30/28	2400/2300	41/40	4.0/4.5	170/160	15/14	908
AV-A17238MS20	Sleeve	220-240	50/60	0.19/0.18	30/28	2400/2300	41/40	4.0/4.5	170/160	15/14	908
AV-A17238LB20	Ball	220-240	50/60	0.16/0.16	26/25	1900/1500	32/30	3.5/3.0	125/105	8/6	908
AV-A17238LS20	Sleeve	220-240	50/60	0.16/0.16	26/25	1900/1500	32/30	3.5/3.0	125/105	8/6	908
AV-A17238HB30	Ball	380	50	0.11	34	2700	45	5.37	190	15	908
AV-A17238HS30	Sleeve	380	50	0.11	34	2700	45	5.37	190	15	908



Units: mm



RxSOLUTIONS TECHNOLOGY Co Ltd

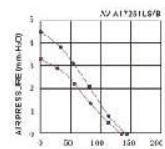
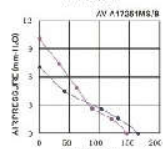
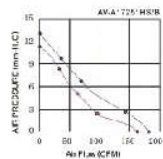
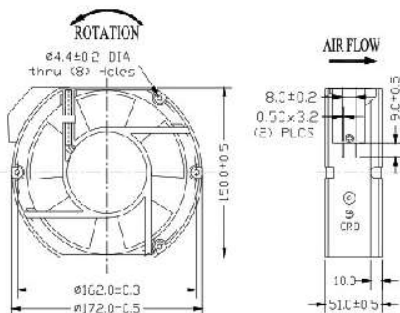
AC AXIAL FAN 172X51MM



AC FAN TYPE AV-A17251

SIZE: mm
 CONSTRUCTION:
 Black die-cast aluminum housing
 Glass fiber reinforced thermoplastic impeller UL94V-0
 MOTOR:
 Shaded pole, Impedance protected
 CONNECTION:
 Wire or terminal
 OPERATING TEMPERATURE:
 Ball bearing -30 to +75, sleeve bearing -10C to +70C
 INSULATION RESISTANCE:
 >10 megohm at 500VDC, (frame-terminal/wires)
 DIELECTRIC STRENGTH:
 500V/60HZ, 5mA, 1 minute, (frame-terminal/wires)

MODEL	BEARING TYPE	RATED VOLTAGE (VAC)	FREQUENCY (HZ)	CURRENT (A)	POWER (W)	SPEED (RPM)	NOISE LEVEL (dBA)	AIR FLOW (M2/M)	AIR FLOW (CFM)	STATIC PRESSURE (mmH2O)	WEIGHT (g)
AV-A17251HB10	Ball	115	50/60	0.50/0.45	37/36	2700/3100	45/50	5.37/6.65	190/235	16.0/17.78	908
AV-A17251HS10	Sleeve	115	50/60	0.50/0.45	37/36	2700/3100	45/50	5.37/6.65	190/235	16.0/17.78	908
AV-A17251MB10	Ball	115	50/60	0.41/0.39	32/30	2400/2300	41/40	4.0/4.5	170/160	15/14	908
AV-A17251MS10	Sleeve	115	50/60	0.41/0.39	32/30	2400/2300	41/40	4.0/4.5	170/160	15/14	908
AV-A17251LB10	Ball	115	50/60	0.35/0.35	26/25	1900/1500	32/30	3.5/3.0	125/105	8/6	908
AV-A17251LS10	Sleeve	115	50/60	0.35/0.35	26/25	1900/1500	32/30	3.5/3.0	125/105	8/6	908
AV-A17251HB20	Ball	220-240	50/60	0.22/0.21	34/33	2700/3100	45/50	5.37/6.65	190/235	16.0/17.78	908
AV-A17251HS20	Sleeve	220-240	50/60	0.22/0.21	34/33	2700/3100	45/50	5.37/6.65	190/235	16.0/17.78	908
AV-A17251MB20	Ball	220-240	50/60	0.19/0.18	30/28	2400/2300	41/40	4.0/4.5	170/160	15/14	908
AV-A17251MS20	Sleeve	220-240	50/60	0.19/0.18	30/28	2400/2300	41/40	4.0/4.5	170/160	15/14	908
AV-A17251LB20	Ball	220-240	50/60	0.16/0.16	26/25	1900/1500	32/30	3.5/3.0	125/105	8/6	908
AV-A17251LS20	Sleeve	220-240	50/60	0.16/0.16	26/25	1900/1500	32/30	3.5/3.0	125/105	8/6	908
AV-A17251HB30	Ball	380	50	0.11	34	2700	45	5.37	190	15	908
AV-A17251HS30	Sleeve	380	50	0.11	34	2700	45	5.37	190	15	908



Key:
 (●) 115V
 (○) 230V

Units: mm



RxSOLUTIONS TECHNOLOGY Co Ltd

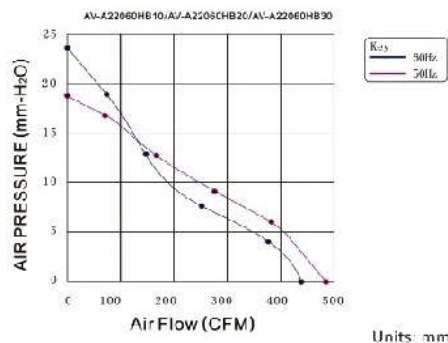
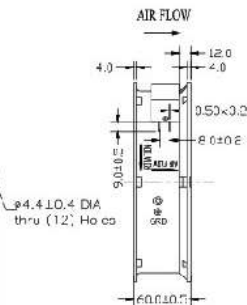
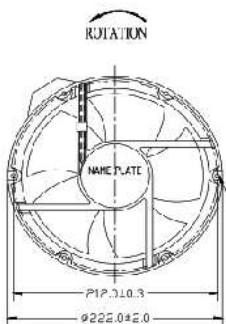
AC AXIAL FAN 220X60MM



AC FAN TYPE AV-A22060

SIZE: mm
 CONSTRUCTION:
 Black die-cast aluminum housing
 Glass fiber reinforced thermoplastic impeller UL94V-0
 MOTOR:
 Shaded pole, Impedance protected
 CONNECTION:
 Wire or terminal
 OPERATING TEMPERATURE:
 Ball bearing -30 to +75, sleeve bearing -10C to +70C
 INSULATION RESISTANCE:
 >10 megohm at 500VDC, (frame-terminal/wires)
 DIELECTRIC STRENGTH:
 500V/60HZ, 5mA, 1 minute, (frame-terminal/wires)

MODEL	BEARING TYPE	RATED VOLTAGE (VAC)	FREQUENCY (HZ)	CURRENT (A)	POWER (W)	SPEED (RPM)	NOISE LEVEL (dBA)	AIR FLOW (M2/M)	AIR FLOW (CFM)	STATIC PRESSURE (mmH2O)	WEIGHT (g)
AV-A22060HB10	Ball	115	50/60	0.76/0.77	57/58	2400	56	11	388	25.4	1400
AV-A22060HB10C	Ball	115	50/60	0.76/0.77	50/60	2800/3200	61/56	11.32/12.74	400/450	28/36	1540
AV-A22060HB20	Ball	220-240	50/60	0.42/0.46	42/38	2400	56	11	388	25.4	1400
AV-A22060HB20C	Ball	220-240	50/60	0.42/0.46	50/60	2800/3200	61/56	11.32/12.74	400/450	28/36	1540
AV-A22060HB30	Ball	380	50	0.16	47	2400	56	11	388	25.4	1400
AV-A22060HB30C	Ball	380	50	0.16	50	2800	61	11.32	400	28	1540





RxSOLUTIONS TECHNOLOGY Co Ltd

AC AXIAL FANS SA11025 (110X25mm)

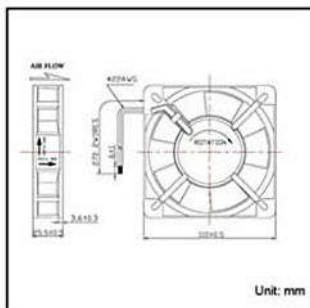
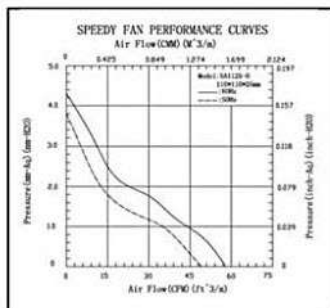


AC axial fan type SA11025

For more information please contact our [Customer Service Department](#)

SIZE: 110x25mm
 CONSTRUCTION:
 Black die-cast aluminum housing
 Glass fiber reinforced thermoplastic impeller UL94V-0
 MOTOR:
 Shaded pole, Impedance protected
 Input 110/220VAC nom.
 CONNECTION:
 Wire or terminal
 OPERATING TEMPERATURE:
 Ball bearing -30 to +75, sleeve bearing -10C to +70C
 INSULATION RESISTANCE:
 >10 megohm at 500VDC, (frame-terminal/wires)
 DIELECTRIC STRENGTH:
 500V/60HZ, 5mA, 1 minute, (frame-terminal/wires)

Model	Bearing type	Nominal voltage (AC)	Frequency (HZ)	Current (A)	Speed (RPM)	Airflow (CFM)	Static pressure (mm/H ₂ O)	Noise (db-A)	Weight (GM)	Input power (W)
SA11025CA1HO	Dual ball	110-120	50	0.16	2300	48	0.149	30	285	16
SA11025CA1HO	Dual ball	110-120	60	0.14	2700	56	0.165	35	285	12
SA11025SA1HO	Sleeve	110-120	50	0.16	2300	48	0.149	30	285	16
SA11025SA1HO	Sleeve	110-120	60	0.14	2700	56	0.165	35	285	12
SA11025CA2HO	Dual ball	220-230	50	0.08	2300	48	0.149	30	285	16
SA11025CA2HO	Dual ball	220-230	60	0.06	2700	56	0.165	35	285	12
SA11025SA2HO	Sleeve	220-230	50	0.08	2300	48	0.149	30	285	16
SA11025SA2HO	Sleeve	220-230	60	0.06	2700	56	0.165	35	285	12





RxSOLUTIONS TECHNOLOGY Co Ltd

AC AXIAL FANS SA13538 (135X38mm)

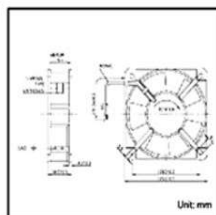
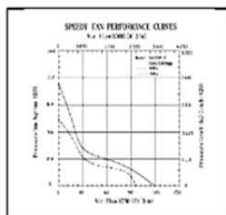


AC axial fan type SA13538

For more information please contact our [Customer Service Department](#)

SIZE: 135x38mm
 Output 96-120CFM
 CONSTRUCTION:
 Black die-cast aluminum housing
 Glass fiber reinforced thermoplastic impeller UL94V-0
 MOTOR:
 Shaded pole. Impedance protected
 Input 110/220VAC nom.
 CONNECTION:
 Wire or terminal
 OPERATING TEMPERATURE:
 Ball bearing -30 to +75, sleeve bearing -10C to +70C
 INSULATION RESISTANCE:
 >10 megohm at 500VDC, (frame-terminal/wires)
 DIELECTRIC STRENGTH:
 500V/60HZ, 5mA, 1 minute, (frame-terminal/wires)

Model	Bearing type	Nominal voltage (DC)	Frequency (HZ)	Current (A)	Speed (RPM)	Airflow (CFM)	Static pressure (mm/H2O)	Noise (db-A)	Weight (GM)	Input power (W)
SA13538BCA1H0	Dual ball	110-120	50	0.32	2400	96	0.288	48	570	25
SA13538BCA1H0	Dual ball	110-120	60	0.29	2800	120	0.419	53	570	22
SA13538BSA1H0	Sleeve	110-120	50	0.32	2400	96	0.288	48	570	25
SA13538BSA1H1	Sleeve	110-120	60	0.29	2800	120	0.419	53	570	22
SA13538BCA2H0	Dual ball	220-230	50	0.14	2400	96	0.288	48	570	22
SA13538BCA2H0	Dual ball	220-230	60	0.12	2800	120	0.419	53	570	20
SA13538BSA2H0	Sleeve	220-230	50	0.14	2400	96	0.288	48	570	22
SA13538BSA2H0	Sleeve	220-230	60	0.12	2800	120	0.419	53	570	20





RxSOLUTIONS TECHNOLOGY Co Ltd

AC AXIAL FANS (180X60mm)

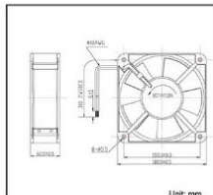
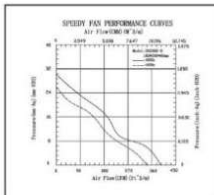


AC axial fan type SA18060

For more information please contact our [Customer Service Department](#)

SIZE: 180x60mm
 Output 345-395CFM
 CONSTRUCTION:
 Black die-cast aluminum housing
 Glass fiber reinforced thermoplastic impeller UL94V-0
 MOTOR:
 Shaded pole, Impedance protected
 Input 110/220VAC nom.
 CONNECTION:
 Wire or terminal
 OPERATING TEMPERATURE:
 Ball bearing -30 to +75, sleeve bearing -10C to +70C
 INSULATION RESISTANCE:
 >10 megohm at 500VDC, (frame-terminal/wires)
 DIELECTRIC STRENGTH:
 500V/60HZ, 5mA, 1 minute, (frame-terminal/wires)

Model	Bearing type	Nominal voltage (DC)	Frequency (HZ)	Current (A)	Speed (RPM)	Airflow (CFM)	Static pressure (mmH2O)	Noise (db-A)	Weight (GM)	Input power (W)
SA18060CA1HO	Dual ball	110-120	50	0.28	2500	345	1.01	63	1600	45
SA18060CA1HO	Dual ball	110-120	60	0.22	2800	395	1.195	68	1600	41
SA18060CA2HO	Dual ball	220-230	50	0.28	2500	345	1.01	63	1600	45
SA18060CA2HO	Dual ball	220-230	60	0.22	2800	395	1.195	68	1600	41





RxSOLUTIONS TECHNOLOGY Co Ltd

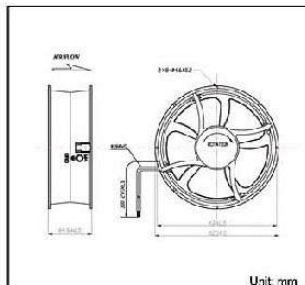
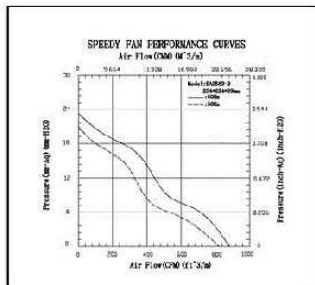
AC AXIAL FANS SA25489 (254X89mm)



AC axial fan type SA25489

SIZE: 254x89mm
 Output 820-860CFM
 CONSTRUCTION:
 Black die-cast aluminum housing
 Glass fiber reinforced thermoplastic impeller UL94V-0
 MOTOR:
 Capacitor run induction
 Impedance protected
 Input 110/220VAC nom.
 CONNECTION:
 Wire or terminal
 OPERATING TEMPERATURE:
 Ball bearing -30 to +75, sleeve bearing -10C to +70C
 INSULATION RESISTANCE:
 >10 megohm at 500VDC, (frame-terminal/wires)
 DIELECTRIC STRENGTH:
 500V/60HZ, 5mA, 1 minute, (frame-terminal/wires)

Model	Bearing type	Nominal voltage (DC)	Frequency (HZ)	Current (A)	Speed (RPM)	Airflow (CFM)	Static pressure (mm/H2O)	Noise (db-A)	Weight (GM)	Input power (W)
SA25489CA1HO	Dual ball	110-120	50	0.5	2700	820	0.795	78	1780	60
SA25489CA1HO	Dual ball	110-120	60	0.58	3000	860	0.830	84	1780	75
SA25489CA2HO	Dual ball	220-230	50	0.34	2700	820	0.795	78	1780	74
SA25489CA2HO	Dual ball	220-230	60	0.43	3000	860	0.830	84	1780	94





RxSOLUTIONS TECHNOLOGY Co Ltd

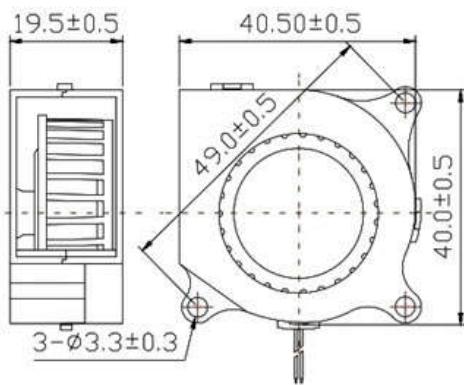
DC CENTRIFUGAL FANS 40X20mm



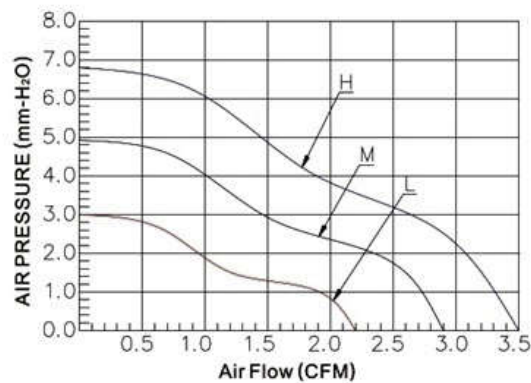
SIZE:
 40x40x20mm
CONSTRUCTION:
 Glass fiber reinforced thermoplastic
 Impeller and housing UL94V-0
OPERATING TEMPERATURE:
 Sleeve bearing -10C to +70C
INSULATION RESISTANCE:
 >10 megohm at 500VDC
 (frame-terminal/wires)
DIELECTRIC STRENGTH:
 500V/60HZ, 5mA, 1 minute
 (frame-terminal)

DC BLOWER FAN TYPE AV-F4020

MODEL	BEARING TYPE	RATED VOLTAGE (DC)	OPERATING VOLTAGE (DC)	CURRENT (A)	SPEED (RPM)	AIR FLOW (CFM)	STATIC PRESSURE (mmH2O)	NOISE LEVEL (dBA)	WEIGHT (g)
AV-F4020HS05	SLEEVE	5	4.5-5.5	0.26	5300	3.50	6.80	29.60	24
AV-F4020MS05	SLEEVE	5	4.5-5.5	0.20	4200	2.90	4.90	25.50	24
AV-F4020LS05	SLEEVE	5	4.5-5.5	0.14	3000	2.20	3.00	21.40	24
AV-F4020HS	SLEEVE	12	10.8-13.2	0.15	6000	4.10	8.50	34.80	24
AV-F4020MS	SLEEVE	12	10.8-13.2	0.11	5300	3.50	6.80	29.60	24
AV-F4020LS	SLEEVE	12	10.8-13.2	0.07	4200	2.90	4.90	25.50	24



Units: mm





RxSOLUTIONS TECHNOLOGY Co Ltd

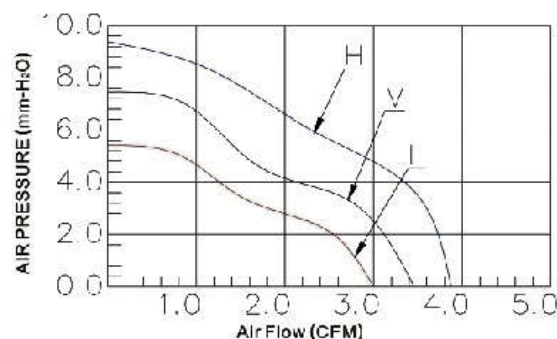
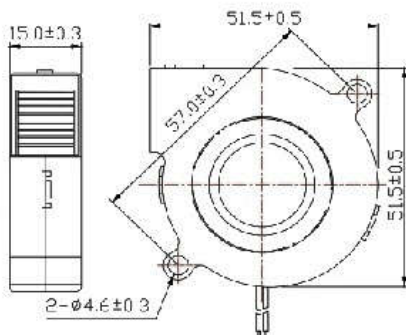
DC CENTRIFUGAL FANS 50x15mm



SIZE:
 50x50x15mm
CONSTRUCTION:
 Glass fiber reinforced thermoplastic
 Impeller and housing UL94V-0
OPERATING TEMPERATURE:
 Sleeve bearing -10C to +70C
INSULATION RESISTANCE:
 >10 megohm at 500VDC
 (frame-terminal/wires)
DIELECTRIC STRENGTH:
 500V/60HZ, 5mA, 1 minute
 (frame-terminal)

DC BLOWER FAN TYPE AV-F5015

MODEL	BEARING TYPE	RATED VOLTAGE (DC)	OPERATING VOLTAGE (DC)	CURRENT (A)	SPEED (RPM)	AIR FLOW (CFM)	STATIC PRESSURE (mmH2O)	NOISE LEVEL (dBA)	WEIGHT (g)
AV-F5015HS05	SLEEVE	5	4.5-5.5	0.30	4200	3.92	9.05	35.00	25
AV-F5015MS05	SLEEVE	5	4.5-5.5	0.23	3800	3.42	7.22	32.77	25
AV-F5015LS05	SLEEVE	5	4.5-5.5	0.17	3500	3.00	5.50	31.00	25
AV-F5015HB05	BALL	5	4.5-5.5	0.30	4200	3.92	9.05	35.00	25
AV-F5015MB05	BALL	5	4.5-5.5	0.23	3800	3.42	7.22	32.77	25
AV-F5015LB05	BALL	5	4.5-5.5	0.17	3500	3.00	5.50	31.00	25
AV-F5015HS	SLEEVE	12	10.8-13.2	0.16	4200	3.92	9.05	35.00	25
AV-F5015MS	SLEEVE	12	10.8-13.2	0.12	3800	3.42	7.22	32.77	25
AV-F5015LS	SLEEVE	12	10.8-13.2	0.08	3500	3.00	5.50	31.00	25
AV-5015HB	BALL	12	10.8-13.2	0.16	4200	3.92	9.05	35.00	25
AV-5015MB	BALL	12	10.8-13.2	0.12	3800	3.42	7.22	32.77	25
AV-5015LB	BALL	12	10.8-13.2	0.08	3500	3.00	5.50	31.00	25



Units: mm



RxSOLUTIONS TECHNOLOGY Co Ltd

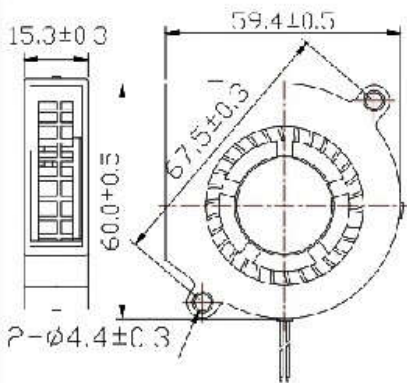
DC CENTRIFUGAL FANS 60x15mm



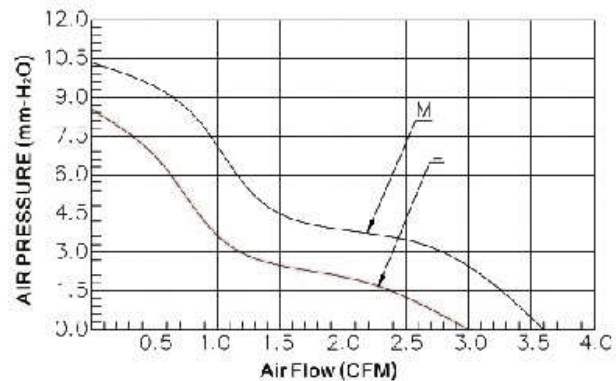
SIZE:
 60x60x15mm
CONSTRUCTION:
 Glass fiber reinforced thermoplastic
 Impeller and housing UL94V-0
OPERATING TEMPERATURE:
 Sleeve bearing -10C to +70C
INSULATION RESISTANCE:
 >10 megohm at 500VDC
 (frame-terminal/wires)
DIELECTRIC STRENGTH:
 500V/60HZ, 5mA, 1 minute
 (frame-terminal)

DC BLOWER FAN TYPE AV-F6015

MODEL	BEARING TYPE	RATED VOLTAGE (DC)	OPERATING VOLTAGE (DC)	CURRENT (A)	SPEED (RPM)	AIR FLOW (CFM)	STATIC PRESSURE (mmH2O)	NOISE LEVEL (dBA)	WEIGHT (g)
AV-F6015MS05	SLEEVE	5	4.5-5.5	0.35	3500	3.60	10.02	33.50	35
AV-F6015LS05	SLEEVE	5	4-5.5	0.12	2800	3.00	7.92	28.20	35
AV-F6015MS	SLEEVE	12	10.8-13.2	0.20	3500	3.60	10.02	33.50	35
AV-F6015LS	SLEEVE	12	10.8-13.2	0.16	2800	3.00	7.92	28.20	35



Units: mm





RxSOLUTIONS TECHNOLOGY Co Ltd

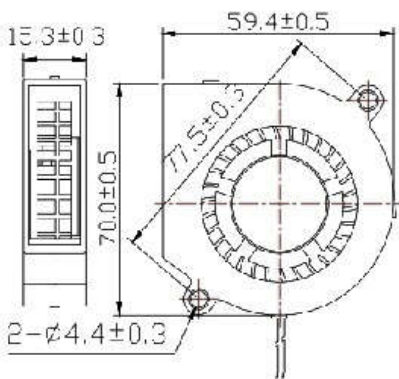
DC CENTRIFUGAL FANS 70x15mm



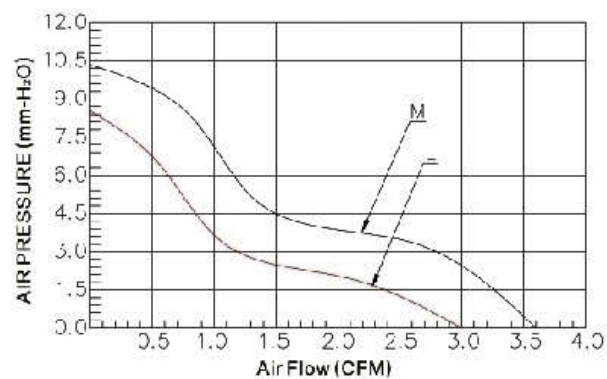
DCBLOWER FAN TYPE AV-F7015

SIZE:
 70x70x15mm
CONSTRUCTION:
 Glass fiber reinforced thermoplastic
 Impeller and housing UL94V-0
OPERATING TEMPERATURE:
 Sleeve bearing -10C to +70C
INSULATION RESISTANCE:
 >10 megohm at 500VDC
 (frame-terminal/wires)
DIELECTRIC STRENGTH:
 500V/60HZ, 5mA, 1 minute
 (frame-terminal)

MODEL	BEARING TYPE	RATED VOLTAGE (DC)	OPERATING VOLTAGE (DC)	CURRENT (A)	SPEED (RPM)	AIR FLOW (CFM)	STATIC PRESSURE (mmH2O)	NOISE LEVEL (dBA)	WEIGHT (g)
AV-F7015MS05	SLEEVE	5	4.5-5.5	0.35	3500	3.60	10.02	33.50	35
AV-F7015LS05	SLEEVE	5	4.5-5.5	0.12	2800	3.00	7.92	28.20	35
AV-F7015MS	SLEEVE	12	10.8-13.2	0.20	3500	3.60	10.02	33.50	35
AV-F7015LS	SLEEVE	12	10.8-13.2	0.16	2800	3.00	7.92	28.20	35



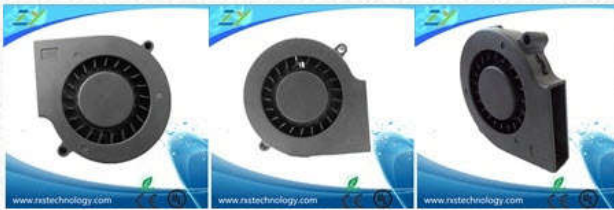
Units: mm





RxSOLUTIONS TECHNOLOGY Co Ltd

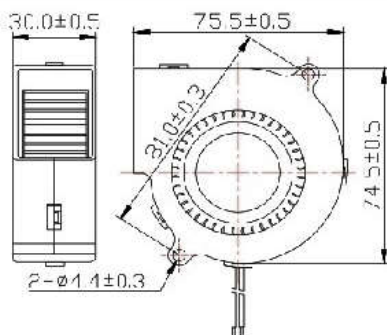
DC CENTRIFUGAL FANS 75X30mm



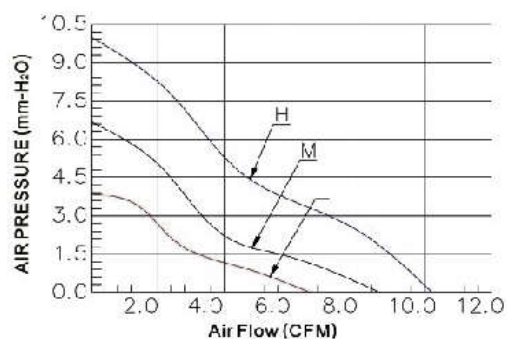
DC BLOWER FAN TYPE AV-F7530

SIZE:
 75x75x30mm
CONSTRUCTION:
 Glass fiber reinforced thermoplastic
 Impeller and housing UL94V-0
OPERATING TEMPERATURE:
 Sleeve bearing -10C to +70C
INSULATION RESISTANCE:
 >10 megohm at 500VDC
 (frame-terminal/wires)
DIELECTRIC STRENGTH:
 500V/60HZ, 5mA, 1 minute
 (frame-terminal)

MODEL	BEARING TYPE	RATED VOLTAGE (DC)	OPERATING VOLTAGE (DC)	CURRENT (A)	SPEED (RPM)	AIR FLOW (CFM)	STATIC PRESSURE (mmH2O)	NOISE LEVEL (dBA)	WEIGHT (g)
AV-F7530HS	SLEEVE	12	10.8-13.2	0.50	3000	10.50	9.80	37.50	76
AV-F7530MS	SLEEVE	12	10.8-13.2	0.40	2500	8.80	6.60	35.50	76
AV-F7530LS	SLEEVE	12	10.8-13.2	0.30	2000	7.10	3.90	27.50	76
AV-F7530HB	BALL	12	10.8-13.2	0.50	3000	10.50	9.80	37.50	76
AV-F7530MB	BALL	12	10.8-13.2	0.40	2500	8.80	6.60	35.50	76
AV-F7530LB	BALL	12	10.8-13.2	0.30	2000	7.10	3.90	27.50	76
AV-F7530HS24	SLEEVE	24	21.6-26.4	0.30	3000	10.50	9.80	37.50	76
AV-F7530MS24	SLEEVE	24	21.6-26.4	0.24	2500	8.80	6.60	35.50	76
AV-F7530LS24	SLEEVE	24	21.6-26.4	0.18	2000	7.10	3.90	27.50	76
AV-F7530HB24	BALL	24	21.6-26.4	0.30	3000	10.50	9.80	37.50	76
AV-F7530MB24	BALL	24	21.6-26.4	0.24	2500	8.80	6.60	35.50	76
AV-F7530LB24	BALL	24	21.6-26.4	0.18	2000	7.10	3.90	27.50	76



Units: mm





RxSOLUTIONS TECHNOLOGY Co Ltd

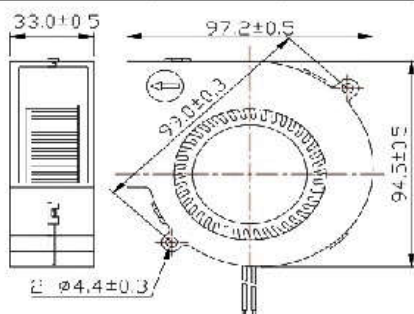
DC CENTRIFUGAL FANS 97X33mm



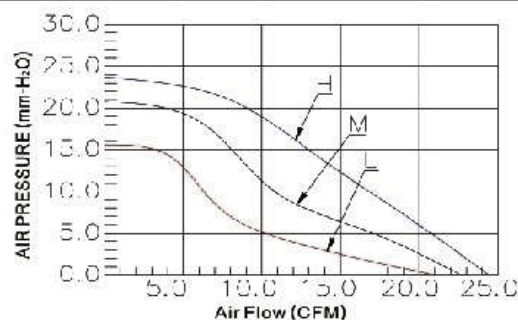
SIZE:
 97x97x33mm
CONSTRUCTION:
 Glass fiber reinforced thermoplastic
 Impeller and housing UL94V-0
OPERATING TEMPERATURE:
 Sleeve bearing -10C to +70C
INSULATION RESISTANCE:
 >10 megohm at 500VDC
 (frame-terminal/wires)
DIELECTRIC STRENGTH:
 500V/60HZ, 5mA, 1 minute
 (frame-terminal)

DC BLOWER FAN TYPE AV-F9733

MODEL	BEARING TYPE	RATED VOLTAGE (DC)	OPERATING VOLTAGE (DC)	CURRENT (A)	SPEED (RPM)	AIR FLOW (CFM)	STATIC PRESSURE (mmH2O)	NOISE LEVEL (dBA)	WEIGHT (g)
AV-F9733HS	SLEEVE	12	10.8-13.2	1.00	3200	24.90	23.06	48.83	146
AV-F9733MS	SLEEVE	12	10.8-13.2	0.60	3000	23.10	20.86	43.67	146
AV-F9733LS	SLEEVE	12	10.8-13.2	0.50	2600	20.10	15.03	34.34	146
AV-F9733HB	BALL	12	10.8-13.2	1.00	3200	24.90	23.06	48.83	146
AV-F9733MB	BALL	12	10.8-13.2	0.60	3000	23.10	20.86	43.67	146
AV-F9733LB	BALL	12	10.8-13.2	0.50	2600	20.10	15.03	34.34	146
AV-F9733HS24	SLEEVE	24	21.6-26.4	0.60	3200	24.90	23.06	48.83	146
AV-F9733MS24	SLEEVE	24	21.6-26.4	0.40	3000	23.10	20.86	43.67	146
AV-F9733LS24	SLEEVE	24	21.6-26.4	0.30	2600	20.10	15.03	34.34	146
AV-F9733HB24	BALL	24	21.6-26.4	0.60	3200	24.90	23.06	48.83	146
AV-F9733MB24	BALL	24	21.6-26.4	0.40	3000	23.10	20.86	43.67	146
AV-F9733LB24	BALL	24	21.6-26.4	0.30	2600	20.10	15.03	34.34	146



Units: mm





RxSOLUTIONS TECHNOLOGY Co Ltd

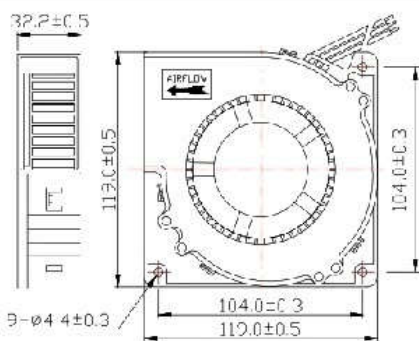
DC CENTRIFUGAL FANS 120X32mm



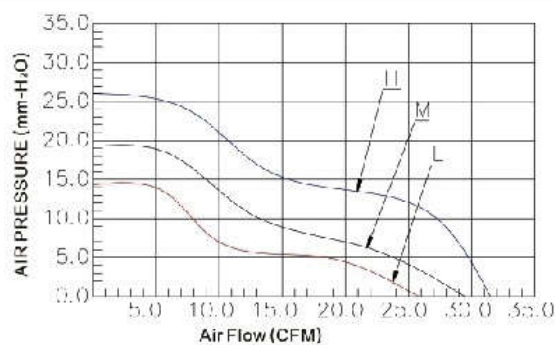
SIZE:
 120x120x32mm
CONSTRUCTION:
 Glass fiber reinforced thermoplastic
 Impeller and housing UL94V-0
OPERATING TEMPERATURE:
 Sleeve bearing -10C to +70C
INSULATION RESISTANCE:
 >10 megohm at 500VDC
 (frame-terminal/wires)
DIELECTRIC STRENGTH:
 500V/60HZ, 5mA, 1 minute
 (frame-terminal)

DC BLOWER FAN TYPE AV-F12032

MODEL	BEARING TYPE	RATED VOLTAGE (DC)	OPERATING VOLTAGE (DC)	CURRENT (A)	SPEED (RPM)	AIR FLOW (CFM)	STATIC PRESSURE (mmH2O)	NOISE LEVEL (dBA)	WEIGHT (g)
AV-F12032HS	SLEEVE	12	10.8-13.2	0.60	2100	31.83	25.10	45.80	240
AV-F12032MS	SLEEVE	12	10.8-13.2	0.50	1800	28.89	18.55	43.70	240
AV-F12032LS	SLEEVE	12	10.8-13.2	0.32	1600	25.87	14.10	40.90	240
AV-F12032HB	BALL	12	10.8-13.2	0.60	2100	31.83	25.10	45.80	240
AV-F12032MB	BALL	12	10.8-13.2	0.50	1800	28.89	18.55	43.70	240
AV-F12032LB	BALL	12	10.8-13.2	0.32	1600	25.87	14.10	40.90	240
AV-F12032HS24	SLEEVE	24	21.6-26.4	0.40	2100	31.83	25.10	45.80	240
AV-F12032MS24	SLEEVE	24	21.6-26.4	0.30	1800	28.89	18.55	43.70	240
AV-F12032LS24	SLEEVE	24	21.6-26.4	0.20	1600	25.87	14.10	40.90	240
AV-F12032HB24	BALL	24	21.6-26.4	0.40	2100	31.83	25.10	45.80	240
AV-F12032MB24	BALL	24	21.6-26.4	0.30	1800	28.89	18.55	43.70	240
AV-F12032LB24	BALL	24	21.6-26.4	0.20	1600	25.87	14.10	40.90	240



Units: mm





RxSOLUTIONS TECHNOLOGY Co Ltd

DC HI OUTPUT CENTRIFUGAL FAN 97X33mm



SIZE:
 97x93x33mm
CONSTRUCTION:
 Glass fiber reinforced thermoplastic
 Impeller and housing UL94V-0
OPERATING TEMPERATURE:
 Sleeve bearing -10C to +70C
INSULATION RESISTANCE:
 >10 megohm at 500VDC
 (frame-terminal/wires)
DIELECTRIC STRENGTH:
 500V/60HZ, 5mA, 1 minute
 (frame-terminal/wires)

HI PERFORMANCE CENTRIFICAL BLOWER FANS AV-F9733

MODEL	FRAME SIZE (mm)	BEARING TYPE	RATED VOLTAGE (DC)	OPERATING VOLTAGES (DC)	CURRENT (A)	SPEED (RPM)	AIRFLOW (CFM)	STATIC PRESSURE (mm Hg)	NOISE LEVEL (Db-A)	WEIGHT (gm)
AV-F9733DB	97*93*33	BALL	12	6.0-13.8	2	5500	36.6	59.7	62	165
AV-F9733DB	97*93*33	BALL	12	6.0-13.8	1.5	5000	33.3	47.4	60	165
AV-F9733DB24	97*93*33	BALL	24	12.0-27.6	1	5500	36.6	59.7	62	165
AV-F9733DB24	97*93*33	BALL	24	12.0-27.6	1	5000	33.3	47.4	60	165
AV-F9733DB48	97*93*33	BALL	48	24.0-55.2	1	5500	36.6	59.7	62	165
AV-F9733DB48	97*93*33	BALL	48	24.0-55.2	0.4	5000	33.3	47.4	60	165



RxSOLUTIONS TECHNOLOGY Co Ltd

DC CENTRIFUGAL FAN 30X10mm



DC blower fan type ZY-3010

For further details please contact our [Customer Service Department](#)

SIZE:
30x10mm
CONSTRUCTION:
Glass fiber reinforced thermoplastic
Impeller and housing UL94V-0
OPERATING TEMPERATURE:
Sleeve bearing -10C to +70C
INSULATION RESISTANCE:
>10 megohm at 500VDC
(frame-terminal/wires)
DIELECTRIC STRENGTH:
500V/60HZ, 5mA, 1 minute
(frame-terminal)



RxSOLUTIONS TECHNOLOGY Co Ltd

DC CENTRIFUGAL FAN 40X10mm



DC blower fan type ZY-4010

For further details please contact our [Customer Service Department](#)

SIZE:
 40x10mm
 CONSTRUCTION:
 Glass fiber reinforced thermoplastic
 Impeller and housing UL94V-0
 OPERATING TEMPERATURE:
 Sleeve bearing -10C to +70C
 INSULATION RESISTANCE:
 >10 megohm at 500VDC
 (frame-terminal/wires)
 DIELECTRIC STRENGTH:
 500V/60HZ, 5mA, 1 minute
 (frame-terminal)

Model	Bearing Type	Voltage	Current	Power	Speed	Air Flow	Static Pressure	Noise
Part No.		VDC	Amp	Watt	RPM	CFM	mmH2O	dB-A
ZY-4010	B.S	5V	0.11	0.55	5000	1.34	3.03	23.30
ZY-4010		5V	0.15	0.75	6000	1.64	4.89	16.00
ZY-4010		5V	0.21	1.05	7000	2.03	7.17	29.30
ZY-4010		5V	0.25	1.25	8000	2.42	9.5	32.10
ZY-4010		5V	0.29	1.45	9000	2.76	12.86	35.00
ZY-4010		5V	0,35	1.75	10000	3.2	13.93	37.00
ZY-4010	B.S	12V	0.046	0.55	5000	1.34	3.03	23.30
ZY-4010		12V	0.062	0.75	6000	1.64	4.89	16.00
ZY-4010		12V	0.09	1.05	7000	2.03	7.17	29.30
ZY-4010		12V	0.1	1.25	8000	2.42	9.5	32.10
ZY-4010		12V	0.12	1.45	9000	2.76	12.86	35.00
ZY-4010		12V	0.146	1.75	10000	3.2	13.93	37.00



RxSOLUTIONS TECHNOLOGY Co Ltd

DC CENTRIFUGAL FAN 45X10mm



DC blower fan type ZY-4510

For further details please contact our [Customer Service Department](#)

SIZE:
45x10mm
CONSTRUCTION:
Glass fiber reinforced thermoplastic
Impeller and housing UL94V-0
OPERATING TEMPERATURE:
Sleeve bearing -10C to +70C
INSULATION RESISTANCE:
>10 megohm at 500VDC
(frame-terminal/wires)
DIELECTRIC STRENGTH:
500V/60HZ, 5mA, 1 minute
(frame-terminal)

Model	Bearing Type	Voltage	Current	Power	Speed	Air Flow	Static Pressure	Noise
Part No.		VDC	Amp	Watt	RPM	CFM	mmH2O	dB-A
ZY-4510S	sleeve	5V	0.05	0.25	3500	1.66	0.122	21.50
ZY-4510S	sleeve	5V	0.07	0.35	4500	2.15	0.228	27.00
ZY-4510B	ball	5V	0.21	0.55	5200	2.75	0.383	30.50
ZY-4510B	ball	5V	0.35	0.8	6500	3.28	0.555	35.50
ZY-4510S	sleeve	12V	0.04	0.58	3500	1.66	0.122	21.50
ZY-4510S	sleeve	12V	0.05	0.6	4500	2.15	0.228	27.00
ZY-4510B	ball	12V	0.06	0.72	5200	2.75	0.383	30.50
ZY-4510B	ball	12V	0.08	0.96	6500	3.28	0.555	35.50



RxSOLUTIONS TECHNOLOGY Co Ltd

DC CENTRIFUGAL FAN 60X252mm



DC blower fan type ZY-6025B/S

For further details please contact our [Customer Service Department](#)

SIZE:
60x25mm
CONSTRUCTION:
Glass fiber reinforced thermoplastic
Impeller and housing UL94V-0
OPERATING TEMPERATURE:
Sleeve bearing -10C to +70C
INSULATION RESISTANCE:
>10 megohm at 500VDC
(frame-terminal/wires)
DIELECTRIC STRENGTH:
500V/60HZ, 5mA, 1 minute
(frame-terminal)

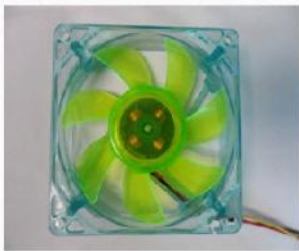
Model	Bearing Type	Voltage	Current	Power	Speed	Air Flow	Static Pressure	Noise	Weight
Part No.		VDC	Amp	Watt	RPM	CFM	mmH2O	dB-A	g
ZY-6025B/S05H	B.S	5V	0.45	2.25	5500	5.7	0.54	41.00	35
ZY-6025B/S05M			0.35	1.75	5000	4.6	0.32	36.00	35
ZY-6025B/S05L			0.23	1.15	4500	3.6	0.18	27.00	35
ZY-6025B/S12H	B.S	12V	0.23	2.76	5500	5.7	0.54	41.00	35
ZY-6025B/S12M			0.18	2.16	5000	4.6	0.32	36.00	35
ZY-6025B/S12L			0.13	1.56	4500	3.6	0.18	27.00	35
ZY-6025B/S24H	B.S	24V	0.14	3.36	5500	5.7	0.54	41.00	35
ZY-6025B/S24M			0.09	2.16	5000	4.6	0.32	36.00	35
ZY-6025B/S12L			0.06	1.44	4500	3.6	0.18	27.00	35



RxSOLUTIONS TECHNOLOGY Co Ltd

AXIAL ACCENT FANS/MULTICOLOR

RxSolutions offers a wide range of multi-color accent fans and will be please to quote your special requirements. A small selection is shown below and includes CPU and computer case-cooling types.



Translucent blue frame with lime green impeller



Clear frame with lime green impeller



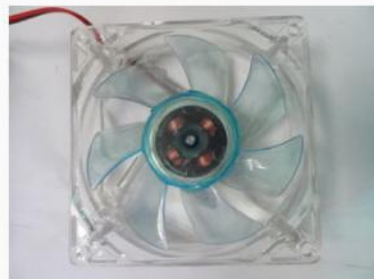
Black frame with lime green impeller



Translucent blue frame with clear orange impeller



Translucent blue frame and impeller



Clear frame and impeller



Translucent orange frame and impeller



Translucent frame with orange impeller



Translucent blue frame with orange impeller



Black frame with red impeller



Translucent frame with black impeller



Solid red frame & impeller



AXIAL ACCENT FANS/LED

RxSolutions offers a wide range of LED accent fans and will be please to quote your special requirements. A small selection is shown below and includes CPU and case cooling types.



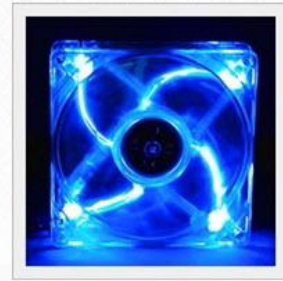
Translucent blue body with white LEDs



Translucent red body with white LEDs



Translucent green body with white LEDs



Translucent blue body with white LEDs



Translucent body with tri-color LEDs



Translucent blue body with clear blades and white LEDs



Clear body and tri-color LEDs

Examples of some available options



RxSOLUTIONS TECHNOLOGY Co Ltd

FILTERS AND GUARDS FOR AXIAL FANS

FAN FILTERS

MODEL	SIZE (MM)
FMF-60	60
FMF-80	80
FMF-90	90
FMF-120	120
FMF-170-1	170
FMF-170-2	170
FMF-200	200

FINGER GUARDS

MODEL	SIZE (MM)
FNG-40	40
FNG-50	50
FNG-60	60
FNG-70	70
FNG-80	80
FNG-90	90
FNG-120	120
FNG-170	170
FNG-200	200



Company Profile:

RxSOLUTIONS TECHNOLOGY Co., Ltd. has been a professional manufacturer of fan products for 14 Years. This is a high-technology enterprise dedicated to the innovation and development of new cooling and fan control applications. We manufacture both enclosure/equipment axial fans, centrifugal blowers and mini-USB consumer fans.

USE OUR WEBSITE *CONTACT FORM* TO DISCUSS
DESIGN RECOMMENDATIONS AND PRICING
FOR YOUR PARTICULAR APPLICATION



Contact information:

Website: <http://www.rxstechnology.com>
Office telephone: +86 769 8800 7627
Cell/mobile: +86 136 0968 9281
Email: EmilyZhang@rxstechnology.com
Skype: Emily_Zhang668
WeChat: emilyzhang9420
QQ: 895071090

Address:
#513C ChunFeng Ming
Yuan XianXi Mingen East Street
Changan Town, Dongguan
Guangdong Province,
China